

## FEATURES

- 60" x 36" Shower Walls with a realistic 4" x 8" subway tile pattern for new or existing construction. Saramar® has the realistic look of tile without the maintenance of grout.
- Thick 1/4" compression molded solid surface material for superior strength, beauty and easy cleaning. Surface will not support bacteria growth.
- Easier to install than tile. Walls glue right over existing surface. Walls are trimmable for custom fit.
- SWK Wall Kits include three wall panels, two color coordinated inside corner trim pieces, wall panel 100% silicone adhesive and interior sealing silicone. Available in 72" and 96" panel height.
- Saramar® solid surface material has color all the way through for a renewable surface.
- 10 Year Limited Residential Warranty / 3 Year Commercial Warranty

## COLORS

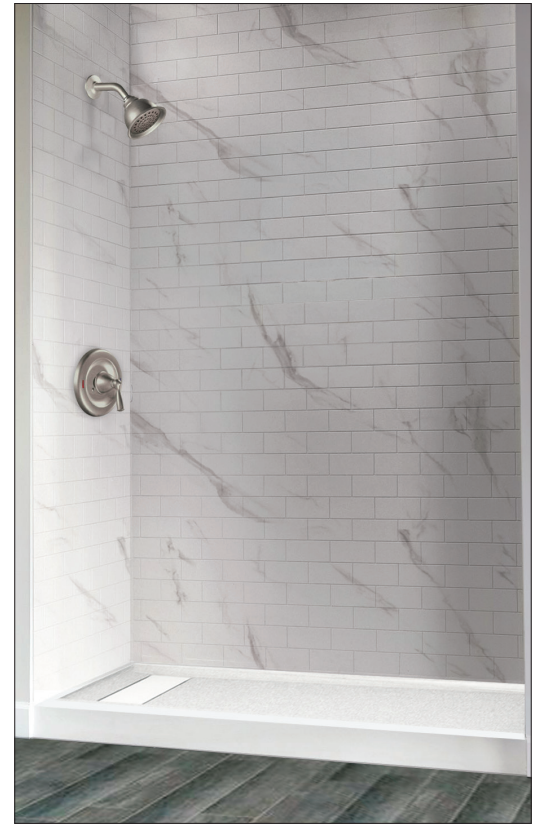
- 3 Classic and 3 Marble colors.

## OPTIONS

- Storage pods, grab bars, storage shelves, flat inside corner molding, and outside corner trims.

## Specified Model

	SIZE	MODEL NO.	DESCRIPTION	Width	Depth	Height
<b>SHOWER WALL KITS</b>						
<input type="checkbox"/>	60" x 36" x 72"	SWK603672	Shower Wall Kit	60"	36"	72"
<input type="checkbox"/>	60" x 36" x 96"	SWK603696	Shower Wall Kit	60"	36"	96"
<b>SHOWER WALL PANELS (only)</b>						
<input type="checkbox"/>	60" x 96"	SW6096	Shower Wall	60"		96"
<input type="checkbox"/>	36" x 96"	SW3696	Shower Wall	36"		96"



SWK603696 shown with F6036L linear shower base

## To Be Specified: Color

	Classic Colors
<input type="checkbox"/>	21 White
<input type="checkbox"/>	27 Grey Beach
<input type="checkbox"/>	28 Cashew
	Marble Colors
<input type="checkbox"/>	47 White Venito
<input type="checkbox"/>	48 Biscotti Marble
<input type="checkbox"/>	49 Sand Creme

## Classic Colors



White  
21



Grey Beach  
27



Cashew  
28

## Marble Colors



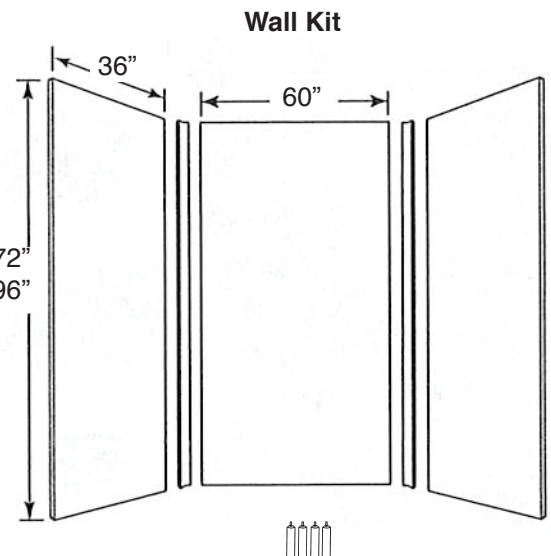
White Venito  
47



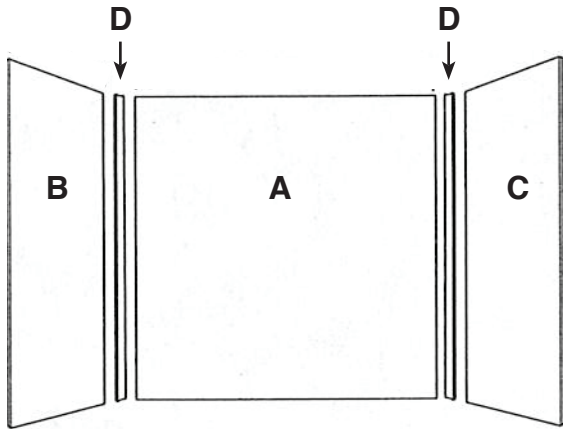
Biscotti Marble  
48



Sand Creme  
49



# 60" x 36" shower walls SWK6036



	MODEL NO	DESCRIPTION
<b>A</b>	<b>SWK603672</b>	Back Wall (1 panel)
<b>B</b>	<b>or</b>	Left End Wall (1 panel)
<b>C</b>	<b>SWK603696</b>	Right End Wall (1 panel)
<b>D</b>		Inside Corner Trim (2 pcs.)

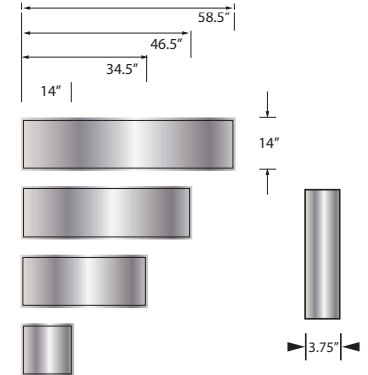
## OPTIONS: STORAGE PODS

Available for on-site installation. Must be ordered separately.



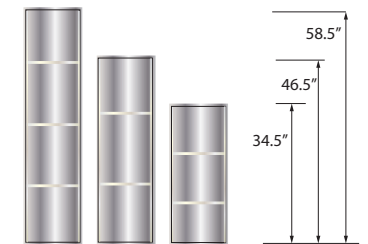
STH1414 and STV15814-SS27

**STH Horizontal Storage Pods**  
Horizontal Pods are designed to run the entire length of the shower in 60", 48" or 36" sizes



STH5814-SS

**STV Vertical Storage Pods**  
Vertical Pods are designed to run between stud walls.

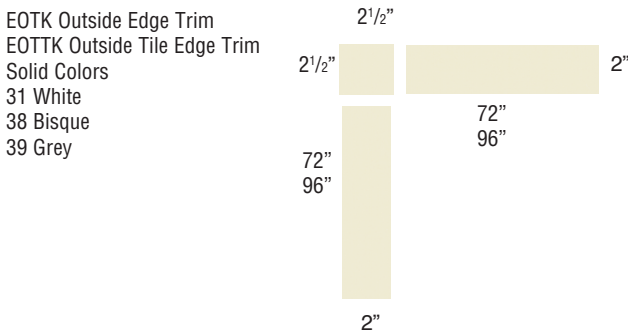


**SARAMAR®**

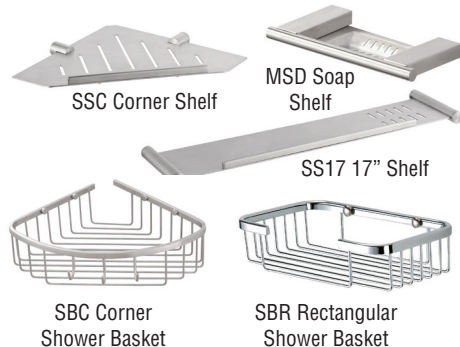
## OPTIONS: ACCESSORIES

Available for on-site installation. Must be ordered separately.

### Solid Surface Trim Kits



### Shelves & Baskets - stainless steel



### Grab Bars



STVL Lighted Storage Pod

