

**Features**

- 15" (381) x 12<sup>4</sup>/<sub>64</sub>" (321) x 7" (178) undermount bar or entertainment sink.
- Single compartment.
- 16 gauge 304 stainless steel.
- Center drain location.
- Brushed finish with highlight rim.
- 10mm radius corners.
- 3mm sound deadening pads.
- Fits 18" base cabinet width.

**Components**

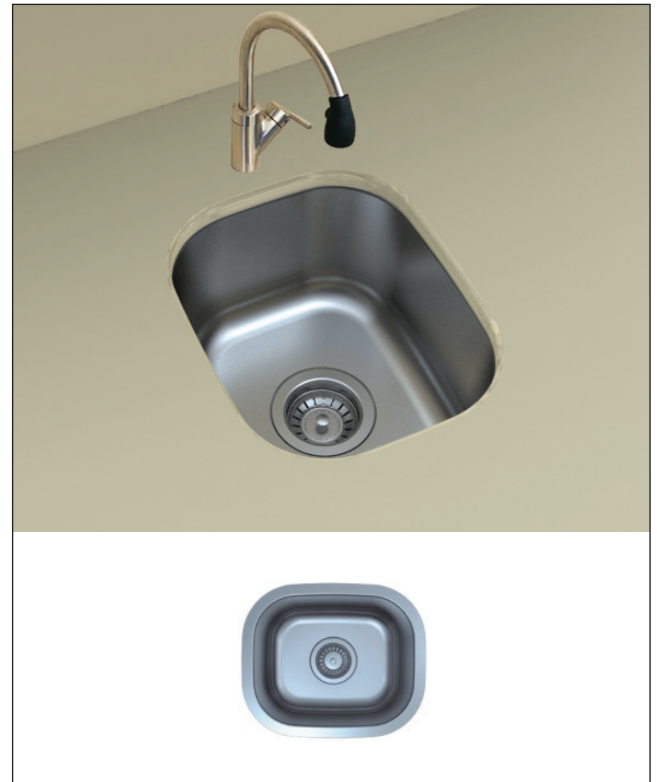
Product includes:  
Cutout Template  
Installation Hardware  
Installation Instructions

**Options**

2210R Covered Sink Strainer or  
4010 Covered Disposer Strainer  
TMTK1 Magnetic Tool Set

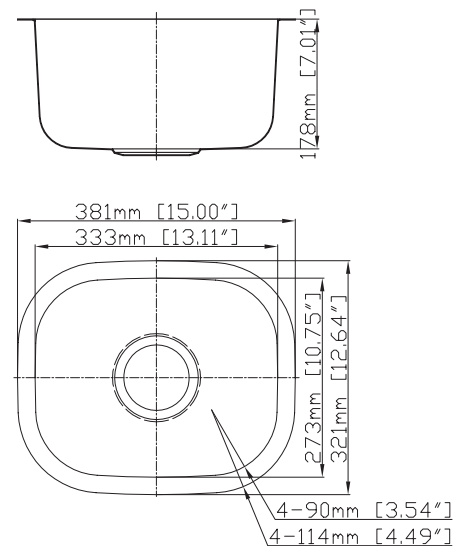
**Warranty**

- Lifetime Limited Warranty



**Specified Model**

Model	MUSB15137
Overall Dimensions	L15" x W12 <sup>4</sup> / <sub>64</sub> " x D7" 381 x 321 x 178
Bowl Dimensions	L13 <sup>7</sup> / <sub>64</sub> " x W10 <sup>3</sup> / <sub>4</sub> " x D7" 333 x 273 x 178
Drain hole:	3 <sup>5</sup> / <sub>8</sub> " (92mm)
Shipping Weight	15 lbs.
Material	16 gauge 304 stainless steel
Installation	under counter mounted
Required	template, included



**Codes/Standards**

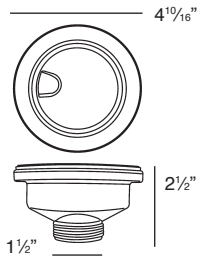
ASME A112.19.3/CSA B45.4

**Notes**

Install this product according to the installation instructions.

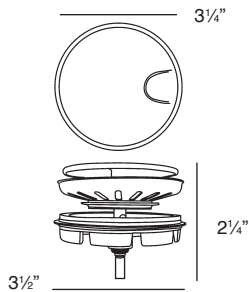
**Optional Accessories**

2210R Covered Flip Top Sink Strainer.



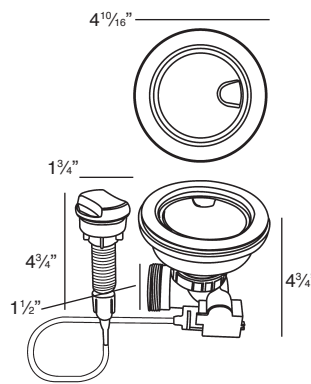
Water drains easily when cover is in place. Cover flips up with easy touch. Polypropylene housing. Fits standard 3<sup>1</sup>/<sub>2</sub>" opening.

4010 Covered Flip Top Disposer Strainer.



Water drains easily when cover is in place. Cover flips up with easy touch. Polypropylene housing. Top mount installation for 3<sup>1</sup>/<sub>2</sub>" opening.

2310 Remote Covered Flip Top Sink Strainer.



Turn the remote knob to open and close drain. Water drains easily when cover is in place. Cover flips up with easy touch. Polypropylene housing. Fits standard 3<sup>1</sup>/<sub>2</sub>" opening. 1<sup>3</sup>/<sub>8</sub>" hole required in countertop for remote installation. Remote cable 25<sup>1</sup>/<sub>2</sub>" L.