

Features

- 25" (635) x 22" (559) x 8" (203) top mount kitchen sink.
- Single compartment.
- 18 gauge 304 stainless steel.
- Center drain location.
- Brushed finish.
- Superior undercoating for added sound insulation.
- 3mm sound deadening pads on all 4 sink sides and bottom. Up to 3 times heavier than competitive models.
- Fits 30" base cabinet width.

Components

Product includes:
Cutout Template
Installation Hardware
Installation Instructions

Options

TSGC25221 Stainless Steel Bottom Sink Grid Set
TCBC1116 Bamboo Cutting Board
2210R Covered Sink Strainer
4010 Covered Disposer Strainer

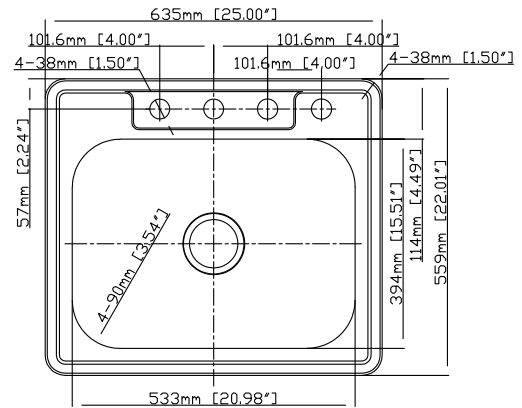
Warranty

- Lifetime Limited Warranty



Specified Model

Model	CTSB25228
Overall Dimensions	L25" x W22 ¹ / ₄ " x D8" 635 x 559 x 203
Bowl Dimensions	L20 ⁶ / ₁₆ " x W15 ³ / ₁₆ " x D8" 533 x 394 x 229
Drain holes:	3 ⁵ / ₈ " (92mm)
Shipping Weight	15 lbs.
Material	18 gauge 304 stainless steel
Installation	counter top mounted
Required	template, included



To Be Specified:

see back for configurations available for this sink

Faucet Hole Drillings	
<input type="checkbox"/>	1 Hole
<input type="checkbox"/>	2 Holes - MR2
<input type="checkbox"/>	3 Holes
<input type="checkbox"/>	4 Holes
<input type="checkbox"/>	5 Holes

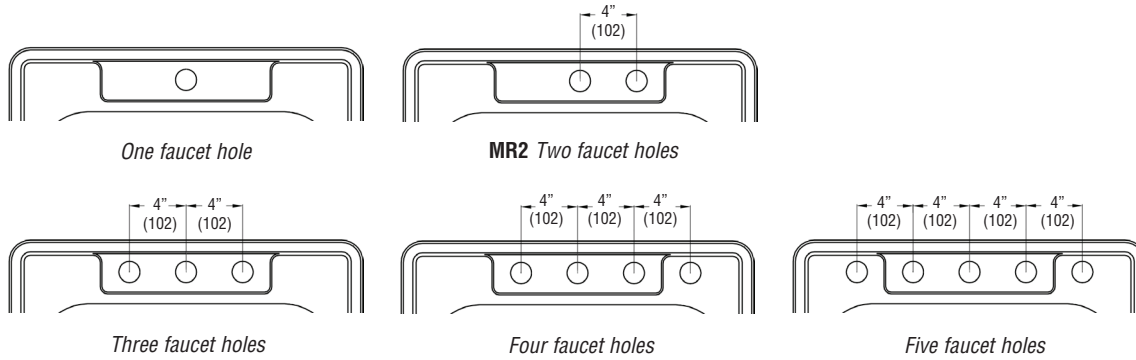
Codes/Standards

ASME A112.19.3/CSA B45.4

Notes

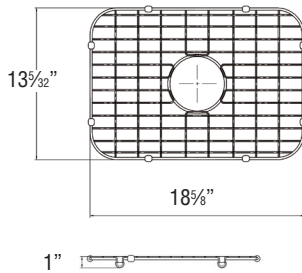
Install this product according to the installation instructions.

Faucet Hole Configurations available for this sink model

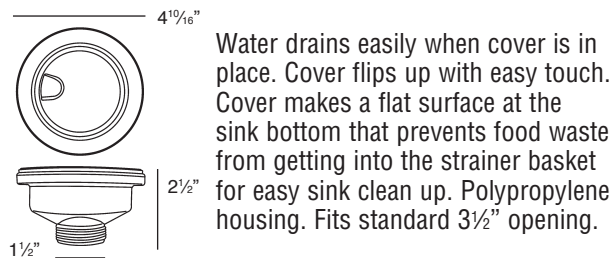


Optional Accessories

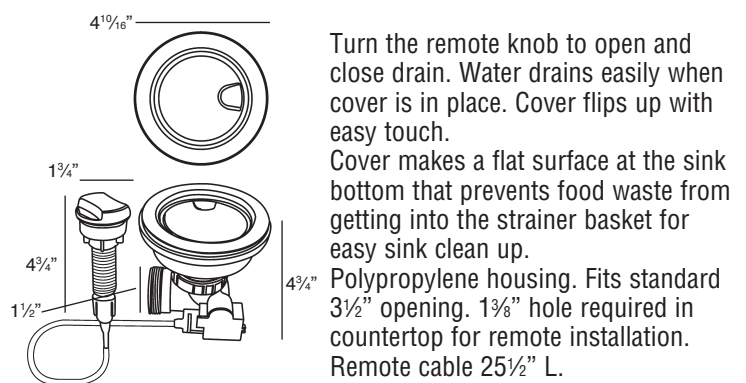
TSGC25221 Bottom Sink Grid



2210R Covered Flip Top Sink Strainer.



2310 Remote Covered Flip Top Sink Strainer.



4010 Covered Flip Top Disposer Strainer.

