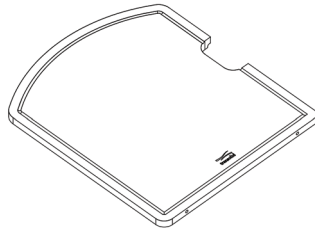


FEATURES

- Cutting Boards are made of genuine Bamboo.
- Cutting board fits over left hand sink bowl.
*TCBJ1716 Cutting Board fits the left hand bowl of RTDJ3322, RUDJ3118 and will also slide across sink and fit on top of right hand bowl.
- Rubber rubber feet protect sink and countertop.
- Designed specifically to fit Transolid silQ®granite sinks. See Specified Model chart below.
- Limited 1 Year Residential Warranty

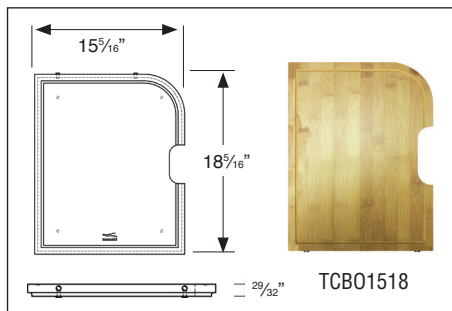
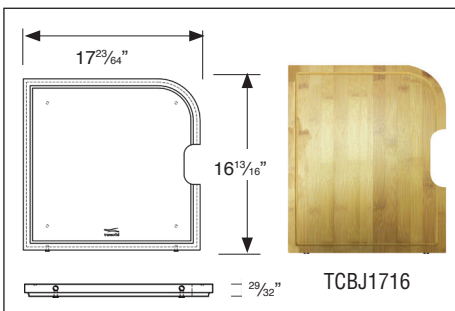
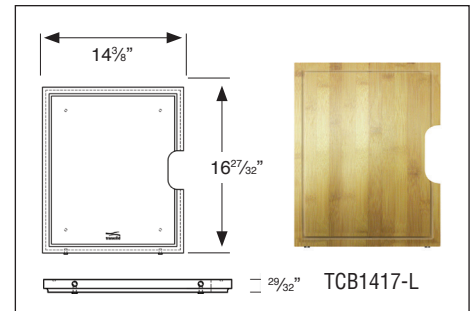
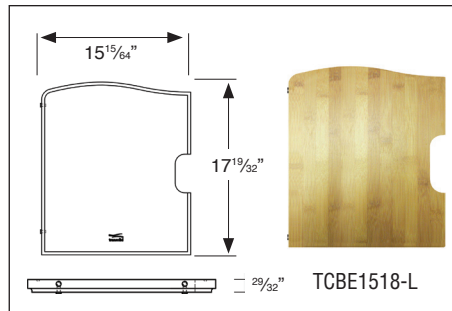
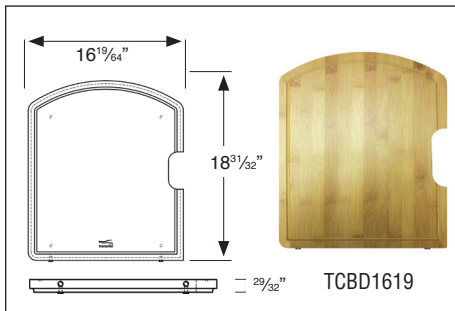
COLOR

- Genuine Bamboo

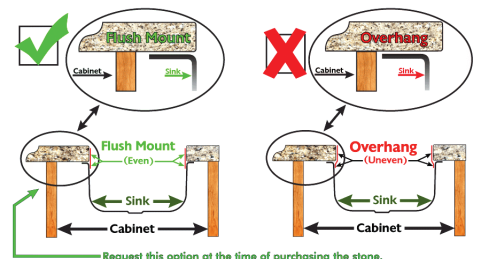


Specified Model

	Model No.	Fits silQ®granite Sinks	Fits Sink Bowl	Dimensions	Ship Wt.(lbs.)
☐	TCBD1619	Aversa® ATDD3322, AUDD3120	left only	18 ³¹ / ₃₂ " x 16 ¹⁹ / ₆₄ " x 2 ²⁹ / ₃₂ "	7
☐	TCBE1518-L	Aversa® ATDE3322, AUDE3219	left only	17 ¹⁹ / ₃₂ " x 15 ¹⁵ / ₆₄ " x 2 ²⁹ / ₃₂ "	7
☐	TCB1417-L	Radius® RTDE3322, RUDE3118	left only	16 ²⁷ / ₃₂ " x 14 ³ / ₈ " x 2 ²⁹ / ₃₂ "	6
		Radius® RTSS3322, RUSS3118	single bowl		
☐	TCBJ1716	Radius® RTDJ3322, RUDJ3118	*left & right	16 ¹³ / ₁₆ " x 17 ²³ / ₆₄ " x 2 ²⁹ / ₃₂ "	7
☐	TCBO1518	Radius® RTDO3322, RUDO3120	left only	18 ⁵ / ₁₆ " x 15 ¹⁵ / ₁₆ " x 2 ²⁹ / ₃₂ "	7



Please Note: For best fit of cutting board on undermount sink models, a flush mount sink cutout is required.



Request this option at the time of purchasing the stone.