

FEATURES

- 36" x 36" Shower Walls for new and existing construction.
- Thick 1/4" 100% solid surface material bonded to an 1-1/4" thick aluminum honeycomb polyurethane filled backer for superior strength. Solid surface material is easy to clean and will not support bacteria growth.
- 3-piece wall design glues directly to studs with supplied adhesive. Back wall can be alternately installed with aluminum hanging rail provided.
- Aluminum channel joints for easy installation and uniform structure.
- Four wall shelves included for convenient storage
- Wall Kit includes 8" long chrome shower arm, 15" slotted hanging rail, four 11-oz. tubes quick dry panel adhesive and two 11-oz. tubes 100% silicone adhesive.
- 10 Year Limited Residential Warranty / 3 Year Commercial Warranty

COLORS

- 3 Transitions colors with a 16" x 16" square tile pattern.

OPTIONS

- Dome Top slides in place and sits on top of the shower walls forming a complete 8' shower enclosure. The dome contains (1) waterproof UL approved 12 volt LED light (40 year life).
- Shower base with concealed drain.
- Corner or Rectangular Shower Seats also available. See Accessories Specification sheet for details.



Shown with F3636 Shower Base, T3661 Dome Top

Specified Model

	SIZE	MODEL NO.	DESCRIPTION	Width	Depth	Height
COMPLETE SHOWER KITS						
<input type="checkbox"/>	36" x 36"	DKWF3668	Walls & Base Kit	36"	36"	83"
<input type="checkbox"/>	36" x 36"	DKWFT3668	Walls, Base, Dome Kit	36"	36"	95 3/4"
SHOWER WALLS (only) KIT						
<input type="checkbox"/>	36" x 36"	DKW3668	Wall Kit	36"	36"	80"
	36" x 80"	DB3668	Back Wall (1 pc.)	36"		80"
	36" x 80"	DE368	End Wall Set (2 pcs.)		36"	80"
INDIVIDUAL COMPONENTS						
<input type="checkbox"/>	36" x 36"	F3636	Shower Base	36"	36"	3"
<input type="checkbox"/>	36" x 36"	T3661	Dome Top	36"	36"	12 3/4"

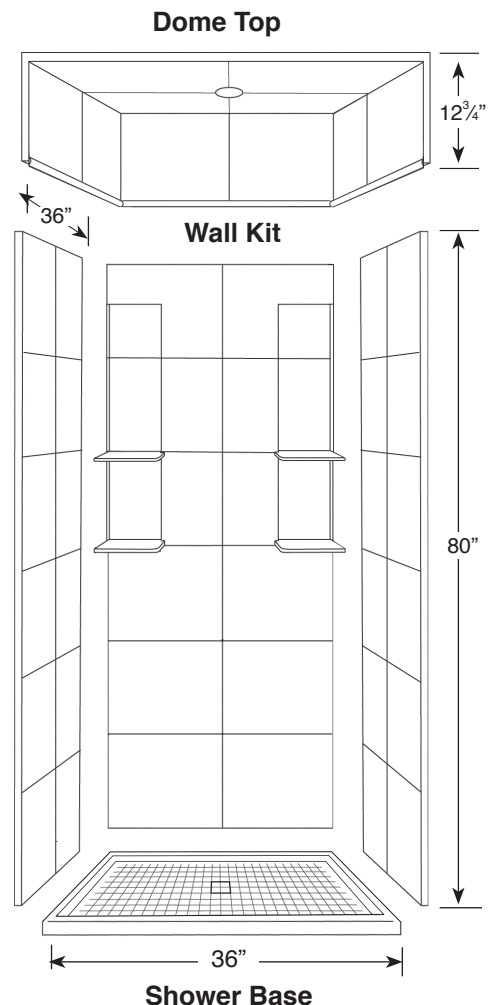
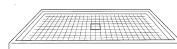
To Be Specified: Color (see below)

Shower Wall Colors:

Shower Base Colors:



	Shower Walls	Shower Base
<input type="checkbox"/>	91 White Carrara	11 Storm
<input type="checkbox"/>	94 Sand Mountain	14 Sand
<input type="checkbox"/>	96 Almond Sky	05 Almond



Compliance Certifications -

Meets or Exceeds the Following Specifications

- IGC 154-2012
- ASME A112.18.1 / CSA B125.125.1-11
- cUPC®

36" x 36" shower DKWF3668



DIRECT-TO-STUD

INSTALLATION NOTES

This product is to be installed according to the installation guide.

Drain cutout in subfloor to be 4-1/2" diameter and located per the rough-in Illustration 1. Dry fit the shower base to ensure a proper fit and correct alignment of the shower drain and the hole in the floor.

Unit can be installed with aluminum hanging rail provided. Alternate adhesive method of installation can be used without the use of the hanging rail (see full instructions for details). Position of hanging rail mounting is also critical. See Illustration 2 for horizontal positioning of hanging rail. The top of the hanging rail to be positioned at 76" above finished floor when using a 3" high Transolid® shower base. When you do not use a Transolid® shower base the upper hanging rail should be installed 73" above the finished threshold.

Illustration 1

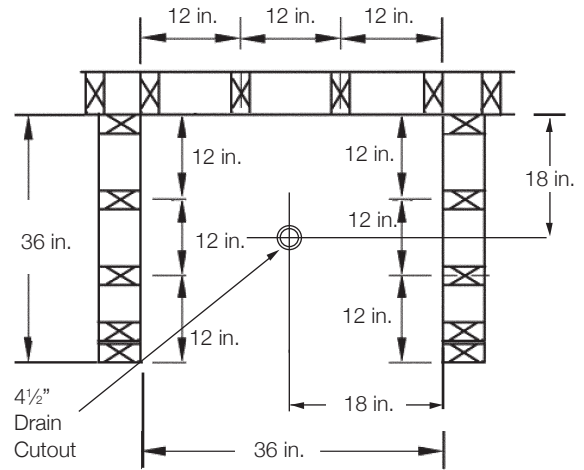
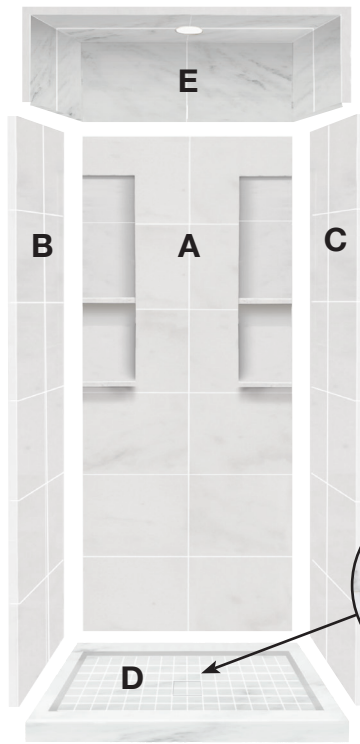
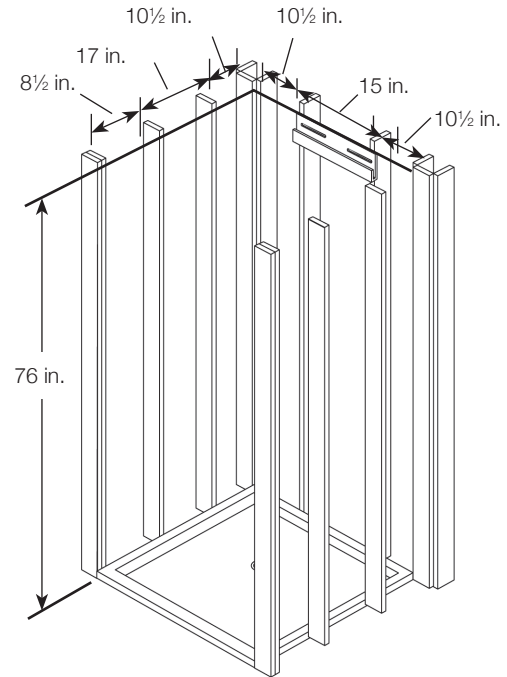


Illustration 2



Strong 2-layer construction

1 1/4" thick Aluminum Honeycomb Backer provides strength and structure.

1 1/4" thick solid surface material for beauty and smooth bacteria free surface

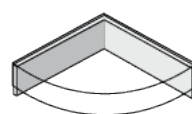
Aluminum Channel Joints for easy installation

Concealed drain with color-matched lift-off drain cover, 2 1/4" mosaic tile pattern.

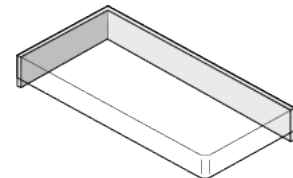
	MODEL NO.	DESCRIPTION
A	DB368	Back Wall (1 panel)
B	DE368L	Left End Wall (1 panel)
C	DE368R	Right End Wall (1 panel)
D	F3636	Shower Base - center drain
E	T3661	Dome Top with (1) LED Light

OPTIONS: ACCESSORIES

Available for on-site installation. Must be ordered separately. See Accessories Specification for further information.



Corner Shower Seat
CSS1414



Rectangular Shower Seat
RSS2412

Product Information

MODEL NO.	SHOWER DOOR	
	MAXIMUM WIDTH	MAXIMUM HEIGHT
DKW3668	33"	80"