



## INSTALLATION INSTRUCTIONS

### APRON FRONT UNDERMOUNT STAINLESS STEEL SINKS

**These instructions are for installing Transolid® Studio apron front farmhouse style undermount stainless steel sinks.** If you are installing another type of sink, such as a standard Undermount or Top mount (Drop-in) sink, please refer to instructions specifically for those sinks.

#### ATTENTION INSTALLER:

Transolid® Studio recommends that all countertops be cut by an approved or certified installer and that the sinks be installed by the installer whenever possible. The countertop/sink unit ideally should be installed as one on the jobsite.

These installation instructions are for solid surface countertop materials. For information on installations in granite, marble, stone, quartz or butcher block countertops, contact your fabricator. For information on installation in ceramic tile countertops, contact your tile contractor.

Transolid® Studio is not responsible for sink or countertop if damaged during installation.

Metal edges may be sharp - use caution when handling.

Remember, it is your responsibility to follow all local plumbing and building codes.

Inspect sink for damage prior to beginning installation. Do not install a damaged unit.

The warranty will be voided if these installation instructions are not followed.

Templates are supplied only as a guide. The physical use of the sink will ensure a more accurate cutout.

The instructions that follow are for installing a Transolid® Studio apron front farmhouse style undermount stainless steel sink. Be sure to read all instructions completely before beginning installation.

Tools and Materials You will Need
Eye protection (safety glasses/goggles) strongly recommended
Ear protection strongly recommended
Framing square
Pencil (not permanent marker)
Silicone adhesive sealant
Tape measure
Wood braces
Jigsaw or hacksaw and blades
Shims or cabinet fillers
Rags
Denatured alcohol

**Sink installation recommended for professional installers only.**

**1. Roughing In and Preparation**

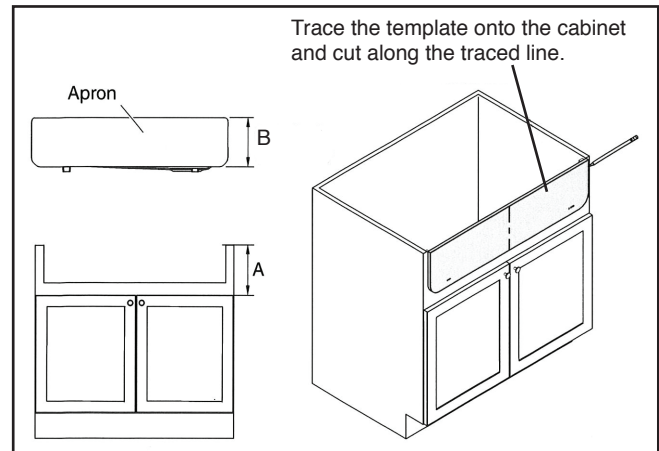
**IMPORTANT!** Before installing this sink, verify that the distance from the top of the cabinet to the top of the doors (A) is greater than the apron height (B).

Apply painter's tape to the cabinet to make cuts and to protect the cabinet surfaces when cutting.

Position the template on the front of the cabinet, flush with the top and centered left to right. Secure the template with tape.

Trace the template and remove.

Cut the cabinet along the traced line.



**2. Installing Support Framing**

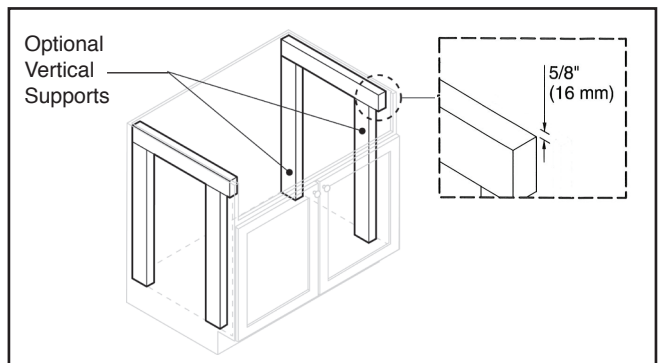
**NOTICE:** For proper countertop installation, the top of the sink must not extend above the top of the cabinet.

Cut two lengths of support framing to extend horizontally along the inside walls on each side of the cabinet.

Measure and mark the support mounting locations; ensure the sink rim will sit at or slightly below the top of the cabinet.

Position and level the supports in position.

Use clamps to hold the supports in position. Secure the supports with construction adhesive and screws (not supplied).



**Optional Vertical Supports**

Cut four lengths of support framing to extend from the bottom of the horizontal supports to the floor of the cabinet. Secure the vertical supports with construction adhesive and screws (not supplied).

**3. Make a Template and Cutouts**

Use the sink itself as the template for the cutout on the countertop. Measure the location for the faucet and any accessories.

Center the sink, draw around it with a pencil, then make the cutout in the countertop. Cut along the inside of this line to provide opening.

Finish the inside of the sink cutout on the top according to the recommendations of the countertop material supplier.

#### 4. Install the Sink

Lower the sink onto the supports; verify the sink is supported by the frame.

Push the sink in to ensure the apron is flush to the front of the cabinet.

Verify the sink is level; make any adjustments and shim as needed.

#### 5. Install the Countertop

Clean the bottom of the countertop and top flange (or lip) of the sink with denatured alcohol. Then apply a narrow bead of high quality silicone adhesive sealant to the top edge of the sink flange.

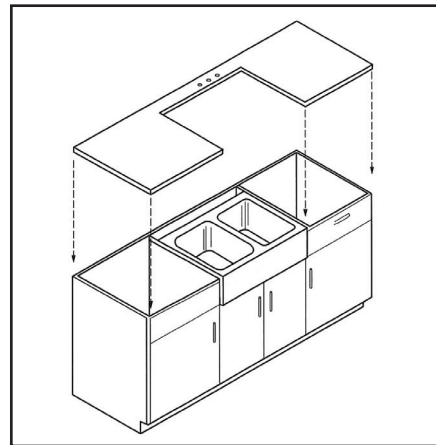
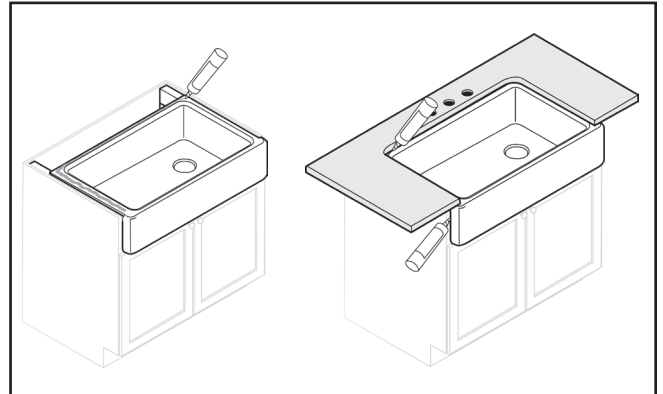
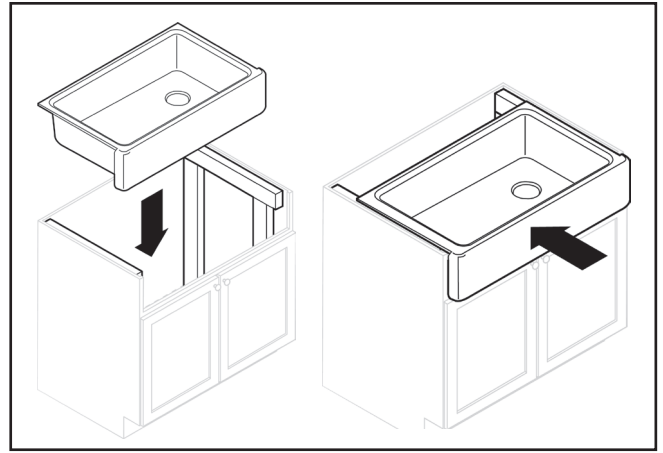
Apply a bead of high quality silicone adhesive around the side and back of the sink.

Place the countertop on the sink.

Remove any excess sealant from the inside lip of the sink using a cleaner recommended by the sealant manufacturer and allow it to properly cure following sealant manufacturer's recommended instructions.

Install the faucet and strainers according to installation instructions.

Connect the trap to the strainers.



#### LEGAL DISCLAIMER

All technical data and information provided in this publication is done as a public service to customers of Transolid® Studio and consumers of our products. All names, designs, and model numbers of products are trademarks of Transolid® Studio. Prices and specifications of Transolid® Studio products are subject to change without notice or obligation. Transolid® Studio may also change or discontinue models of its products without notice or obligation. While Transolid® Studio endeavors to provide you with accurate information and descriptions of its products, accuracy and completeness cannot be guaranteed. Transolid® Studio is not responsible for, nor does it have any liability for any mistakes or typographical errors, including liability for incidental, consequential, or special damages. All products should be inspected and measured promptly upon delivery and certainly before any improvements or alterations are done in anticipation of or preparation for installation. Transolid® Studio assumes no liability for the use of such information or for any damages incurred through its use or application.

Nothing contained in this publication is to be construed as contractual or providing any form of warranty or representation on the part of Transolid® Studio. **TRANSOLID® STUDIO MAKES NO WARRANTIES, EXPRESS OR IMPLIED, INCLUDING BUT NOT LIMITED TO ANY WARRANTY OF MERCHANTABILITY OR OF FITNESS FOR A PARTICULAR PURPOSE, AS TO THE INFORMATION CONTAINED HEREIN OR THE PRODUCTS DESCRIBED HEREIN.**





## Suggestions for the Care and Cleaning of Transolid® Studio Stainless Steel Sinks

When it comes to maintenance, Transolid® Studio recommends to be consistent in your cleaning. It is better to clean on a more frequent basis and avoid the need for heavy duty cleaning.

Make sure your sink is clean and dry when not in use. This is the best method of preventive maintenance. Keep the sink water spot free and shiny by rinsing and towel drying after every use.

Keep your sink clog free to prevent standing water which can lead to mineral deposit build up. If a mineral build up should occur, use a mixture of vinegar and hot water to remove the deposit.

Use a soft cloth and liquid detergent on a mirror finish deck. Do not use any abrasive materials on a mirror finish.

Clean stainless steel at least once a week.

Apply stainless steel cleaner/polish with a non-abrasive cloth or sponge, working with, not across, the grain.

Do not use steel wool, wire brushes or abrasive sponge pads. These will leave an iron residue that will eventually lead to rust and particles that will corrode the sink. Use only non-scratch cleaning pads.

Do not leave any steel or cast iron cookware in the sink for a long period of time. This may leave iron particles that will corrode the sink.

Anything left in the sink can trap moisture which will eventually lead to staining.

Cleaners containing chloride (bleach) are not recommended. If used, rinse the surface immediately to prevent corrosion.

Most stainless steel products will scratch from everyday use. However, these scratches will blend over time to create a unique finish.

Do not store open containers of cleaners or chemicals such as acids, bleach, sodium chloride, lye, toilet bowl cleaner, drain cleaner, or hard water stain removal products under your sink.

Success with cleaners and procedures is dependent upon such factors as the hardness and temperature of the water, using exact measurements of ingredients, changes in cleaning formulas and the condition of the product being cleaned. Since there are variations within these factors, Transolid® Studio cannot guarantee the effectiveness of the formulas mentioned.

### Care Tip

Allowing water to evaporate on metal will form water deposits. To avoid this and keep your product looking beautiful, it is important to wipe the sink clean with a soft cloth after each use.

### Products to Consider

- Mild non-scratching abrasive cleansers
- Bon Ami
- Zud
- Cameo
- Bar Keeper's Friend Soft Cleanser
- Stainless steel cleaner & polish
- Formula 409 Antibacterial All Purpose
- Windex Original

Transolid® Studio, P.O. Box 30, Warren, OH 44482  
877-632-6322

## TRANSOLID® STUDIO LIMITED LIFETIME WARRANTY

All TRANSOLID® STUDIO stainless steel sinks feature a LIMITED LIFETIME WARRANTY to be free of all manufacturing defects under normal use.

### LIMITED SINK WARRANTY

Transolid® Studio will replace without charge, (excluding labor & transportation costs) any stainless steel sink or fireclay sink supplied by Transolid® Studio that is proven to be defective, with an equivalent replacement, within the specific appropriate period from date of purchase, to the original owner, provided it has been used solely in a residential application and installed in accordance with the Transolid® Studio installation instructions, used and cleaned as recommended, and not damaged due to abuse, misuse, or negligence. For installed warranty concerns, please contact Transolid® Studio directly for further information and proper documentation. In the event of a warranty claim, the owner will be required to provide proof of purchase in the form of sales receipt.

This warranty will not cover any damages which might be caused by the product. (Some states do not allow such limitation, so this reference may not apply to you.)

Transolid® Studio reserves the right to inspect any sink reported to be defective prior to replacement of the sink. All decisions are final. Replacement cost EXCLUDES transportation and any labor costs for the removal or reinstallation.

Stainless steel is virtually carefree, but yet it can be dented, scratched and harmed by certain chemicals. Simple cleaning techniques and use of stainless grids can keep your sink looking great everyday.

Transolid® Studio shall not be liable in case of:

- Improper installation/modification
- Damages resulting from abuse, such as heavy impact or dropped objects
- Improper care or maintenance
- Improper applications (such as exposure to corrosive chemicals, photographic solutions, etc.)
- Any modifications made to the product after it left Transolid® Studio premises
- Commercial application
- Scratches - Due to use

### SINK ACCESSORIES

Transolid® Studio carries a 1 YEAR LIMITED WARRANTY ON ALL SINK ACCESSORIES to be free of all manufacturing defects under normal use.

These warranties supersede all other warranties, expressed or implied.

The foregoing warranties are exclusive and made only to the buyer. No other warranty, whether express, implied, or statutory, including any warranty or merchantability or fitness for a particular purpose shall be deemed to exist in connection with any of the goods or services supplied hereunder, and any implied warranties for a period greater than the warranty period contained in Transolid Studio's limited warranty are hereby excluded. Transolid® Studio shall not be liable for any indirect, incidental, special or consequential damages in any way related to the goods or services supplied hereunder. No employee, agent, or other person is authorized to give any warranties on behalf of Transolid Studio in addition to or different from the herein given to assume for Transolid Studio any other liability in connection with any of its products except if in writing is signed by an officer of Transolid Studio and expressly and intentionally gives such warranties or assumes such liability.



## Sugerencias para el cuidado y limpieza de los fregaderos de acero inoxidable Transolid® Studio

Cuando se trata de mantenimiento, Transolid® Studio recomienda que sea consistente en su limpieza. Es mejor limpiar sobre una base más frecuente y evitar la necesidad de la limpieza pesada.

Asegúrese de que el fregadero esté limpio y seco cuando no esté en uso. Este es el mejor método de mantenimiento preventivo. Mantenga el fregadero libre de manchas de agua y brillante por enjuague y secado con toalla después de cada uso.

Mantenga su fregadero libre de obstrucción para evitar el agua estancada que puede conducir a acumulación de depósito mineral. Si se produce una acumulación de minerales, use una mezcla de vinagre y agua caliente para eliminar el depósito.

Utilice un paño suave y detergente líquido en un fregadero de acabado espejo. No utilice materiales abrasivos en el acabado del espejo.

Limpie el acero inoxidable al menos una vez a la semana.

Aplique el limpiador / pulidor de acero inoxidable con un paño o una esponja no abrasivos, trabajando con, no a través, del grano.

No utilice lana de acero, cepillos de alambre o esponjas abrasivas. Esos dejarán un residuo del hierro que conducirá eventual al mohó ya las partículas que corroerán el fregadero. Utilice sólo almohadillas de limpieza sin rascar.

No deje ningún utensilio de acero o de hierro fundido en el fregadero durante un largo período de tiempo. Esto puede dejar partículas de hierro que corroen el fregadero.

Cualquier cosa que queda en el fregadero puede atrapar la humedad que eventualmente conducirá a manchas.

No se recomiendan limpiadores que contengan cloruro (blanqueador). Si se usa, enjuague la superficie inmediatamente para evitar la corrosión.

La mayoría de los productos de acero inoxidable rayarán del uso diario. Sin embargo, estos rasguños se mezclarán con el tiempo para crear un acabado único.

No guarde recipientes abiertos de limpiadores o productos químicos tales como ácidos, lejía, cloruro de sodio, lejía, limpiador de inodoro, limpiador de drenaje o productos de eliminación de manchas de agua dura debajo de su fregadero.

El éxito con los limpiadores y los procedimientos depende de factores tales como la dureza y temperatura del agua, usando mediciones exactas de ingredientes, cambios en las fórmulas de limpieza y el estado del producto que se está limpiando. Dado que existen variaciones dentro de estos factores, Transolid® Studio no puede garantizar la eficacia de las fórmulas mencionadas.

Consejo de cuidado

Permitir que el agua se evapore sobre el metal formará depósitos de agua. Para evitar esto y mantener su producto buscando hermoso, es importante limpiar el fregadero limpio con un paño suave después de cada uso.

Productos a considerar

Limpiadores abrasivos suaves no rasguños  
Bon Ami  
Zud

Bar Keeper's Friend Soft Cleanser  
Limpiador y abrillantador de acero inoxidable  
Formula 409 Antibacterial All Purpose  
Windex Original

Transolid® Studio, P.O. Box 30, Warren, OH 44482  
877-632-6322

## TRANSOLID® STUDIO GARANTÍA LIMITADA DE VIDA

Todos los fregaderos de acero inoxidable Transolid® Studio cuentan con una GARANTÍA DE VIDA LIMITADA para que no presenten defectos de fabricación en condiciones normales de uso.

GARANTÍA LIMITADA DEL FREGADERO  
Transolid® Studio reemplazará sin cargo alguno (excluyendo los costos de mano de obra y transporte) cualquier fregadero de acero inoxidable o fregadero Fireclay suministrado por Transolid® Studio que esté probado ser defectuoso, con un reemplazo equivalente, dentro del período apropiado específico desde la fecha de compra al dueño original. Siempre cuando se haya utilizado exclusivamente en una aplicación residencial e instalado de acuerdo con las instrucciones de instalación de Transolid® Studio, utilizado y limpiado como se recomienda, y no dañado debido a abuso, mal uso o negligencia. Para los problemas de garantía instalados, póngase en contacto con Transolid® Studio directamente para obtener más información y documentación adecuada. En el caso de una reclamación de garantía, el propietario deberá presentar prueba de compra en forma de recibo de venta.

Esta garantía no cubre los daños que pudieran ocasionar el producto. (Algunos estados no permiten tal limitación, por lo que esta referencia puede no aplicarse a usted.)

Transolid® Studio se reserva el derecho de inspeccionar cualquier fregadero de la cocina declarado defectuoso antes de su reemplazo. Todas las decisiones son finales. Costo de reemplazo EXCLUYE el transporte y cualquier costo de mano de obra para la remoción o reinstalación.

El acero inoxidable es virtualmente desprecupado, pero sin embargo puede ser abollado, rasguñado y dañado por ciertos productos químicos. Técnicas de limpieza simples y el uso de rejillas de acero inoxidable puede mantener su fregadero mirando gran diario.

Transolid® Studio no será responsable en caso de:

- Instalación / modificación inadecuada
- Daños resultantes de abuso, tales como impactos fuertes o objetos caídos.
- Cuidado o mantenimiento inadecuado
- Las aplicaciones inadecuadas (como la exposición a productos químicos corrosivos, soluciones fotográficas, etc.)
- Cualquier modificación introducida en el producto tras la salida del producto de las instalaciones de Transolid® Studio.
- Aplicación comercial
- Rasguños - Debido al uso

ACCESORIOS DE FREGADERO  
Transolid® Studio lleva una GARANTÍA LIMITADA DE 1 AÑO EN TODOS LOS ACCESORIOS DEL FREGADERO para estar libre de todos los defectos de fabricación bajo uso normal.

Estas garantías sustituyen a todas las demás garantías, expresadas o implícitas.

Las garantías anteriores son exclusivas y se hacen solamente al comprador. No se considerará que exista ninguna otra garantía, ya sea expresa, implícita o legal, incluyendo cualquier garantía o comerciabilidad o idoneidad para un propósito en particular, en relación con cualquier de los bienes o servicios suministrados en el presente y cualquier garantía implícita por un período mayor que la garantía. Transolid® Studio no será responsable de ningún daño indirecto, incidental, especial o consecuente de cualquier forma relacionada con los bienes o servicios suministrados en el presente documento. Ningún empleado, agente u otra persona está autorizado a otorgar ninguna garantía en nombre de Transolid Studio, además de o diferente de la presente, para asumir para Transolid Studio cualquier otra responsabilidad relacionada con cualquier de sus productos, excepto si está firmada por escrito por un oficial De Transolid Studio y expresa e intencionalmente otorga tales garantías o assume tal responsabilidad.

**4. Instale el fregadero**  
 Baje el fregadero sobre los soportes. Verifique que el fregadero esté soportado por el marco.

Empuje el fregadero hacia adentro para asegurarse de que el panel frontal esté al ras de la parte frontal del gabinete.

Compruebe que el fregadero está nivelado. Hacer cualquier ajuste y llenar el espacio con calce como sea necesario.

**5. Instalar el contador**

Limpie el fondo del mostrador y la brida superior (o labio) del fregadero con alcohol desnaturalizado. A continuación, aplique un cordón estrecho de adhesivo de silicona de alta calidad en el borde superior de la brida del fregadero.

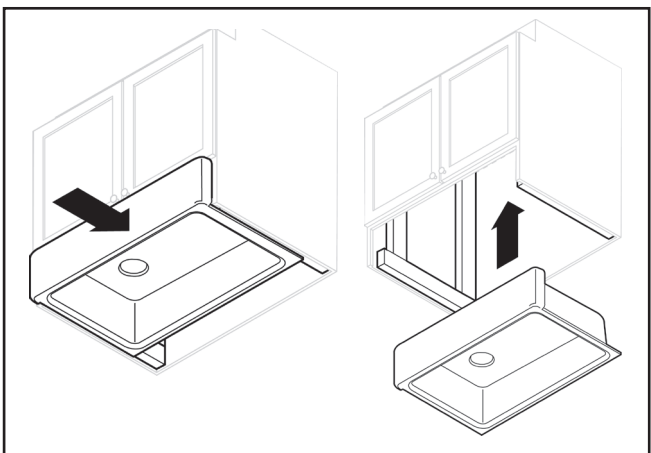
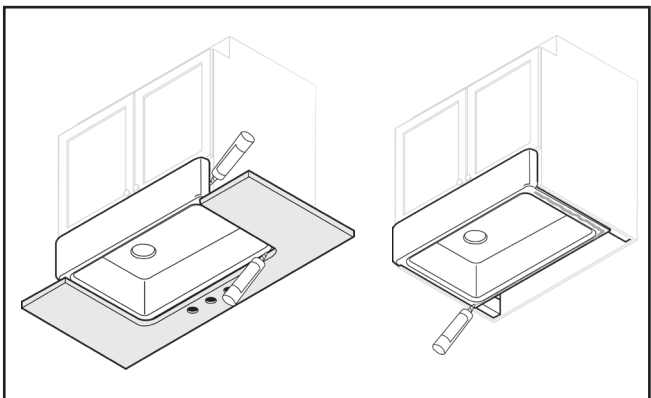
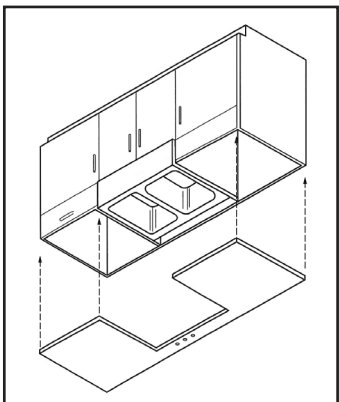
Aplique un cordón de adhesivo de silicona de alta calidad alrededor del lado y la parte posterior del fregadero.

Coloque el contador en la parte superior del fregadero.

Retire el exceso de sellador del borde interior del fregadero usando un limpiador recomendado por el fabricante del sellador y permita que cure adecuadamente siguiendo las instrucciones recomendadas por el fabricante del sellador.

Instale los grifos y coladores de fregadero de acuerdo con las instrucciones de instalación.

Conectar la trampa a los coladores de fregadero.



Nada de lo contenido en esta publicación debe interpretarse como contractual o proporcionar cualquier forma de garantía o representación por parte de Transolid® Studio. TRANSOLID® STUDIO NO OFRECE NINGUNA GARANTÍA, EXPLÍCITA O IMPLÍCITA, INCLUYENDO PERO NO LIMITADO A CUALQUIER GARANTÍA DE COMERCIABILIDAD O DE ADECUACIÓN PARA UN PROPOSITO PARTICULAR, COMO LA INFORMACIÓN CONTENIDA EN EL PRESENTE DOCUMENTO O LOS PRODUCTOS DESCritos EN EL PRESENTE DOCUMENTO.

NOTA LEGAL  
 Todos los datos técnicos e información proporcionados en esta publicación se realizan como un servicio público a clientes de Transolid® Studio y consumidores de nuestros productos. Todos los nombres, diseños y números de modelo de los productos de Transolid® Studio también Los precios y especificaciones de los productos de Transolid Studio están sujetos a cambios sin previo aviso ni obligación. Transolid® Studio también puede cambiar o interrumpir los modelos de sus productos sin previo aviso ni obligación. Si bien Transolid® Studio se esfuerza por proporcionarle información precisa y descripciones de sus productos, no se puede garantizar la exactitud y la integridad. Transolid® Studio no se hace responsable ni tiene responsabilidad por errores o errores tipográficos, incluyendo responsabilidad por daños incidentales, consecuentes o especiales. Todos los productos deben ser inspeccionados y medidos con prontitud en el momento de la entrega y, por supuesto, antes de que se realicen mejoras o modificaciones en previsión o preparación para la instalación. Transolid® Studio no asume ninguna responsabilidad por el uso de dicha información o por los daños sufridos a través de su uso o aplicación.

**Instalación de fregadero recomendada sólo para instaladores profesionales.**

**1. Desbaste y preparación**

**¡IMPORTANTE!** Antes de instalar este fregadero, verifique que la distancia entre la parte superior del armario y la parte superior de las puertas (A) sea mayor que la altura del panel frontal (B).

Aplique cinta de pintores al gabinete para hacer cortes y para proteger las superficies del gabinete al cortar.

Coloque la plantilla en la parte frontal del gabinete, alineada con la parte superior y centrada de izquierda a derecha. Asegure la plantilla con cinta adhesiva.

Trace la plantilla y quítela.

Corte el gabinete a lo largo de la línea trazada.

**2. Instalación del marco de soporte**

**AVISO:** Para la instalación correcta del mostrador, la parte superior del fregadero no puede extenderse por encima de la parte superior del gabinete.

Cortar dos longitudes de armazón de soporte para extenderse horizontalmente a lo largo de las paredes interiores en cada lado del gabinete.

Mida y marque las ubicaciones de montaje del soporte; asegúrese de que el borde del fregadero se sitúe en o ligeramente por debajo de la parte superior del gabinete.

Coloque y nivele los soportes en posición.

Utilice abrazaderas para sostener los soportes en su posición. Asegure los soportes con adhesivo de construcción y tornillos (no suministrados).

**Soportes verticales opcionales**

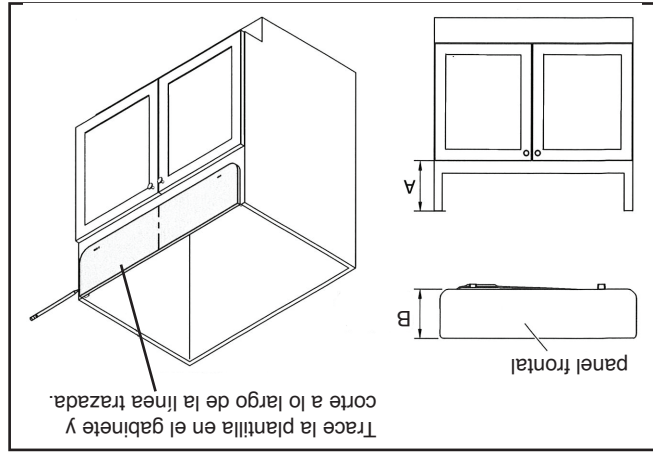
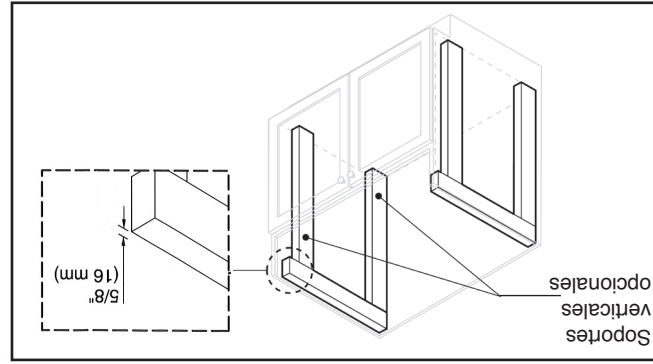
Corte cuatro longitudes de armazón de soporte para extender desde la parte inferior de los soportes horizontales hasta el piso del gabinete. Asegure los soportes verticales con adhesivo de construcción y tornillos (no suministrados).

**3. Hacer una plantilla y recortes**

Utilice el fregadero como la plantilla para el área de corte real en la encimera. Mida la ubicación del grifo y de los accesorios.

Centrar el fregadero, dibujar alrededor de él con un lápiz, después hacer el corte en la encimera. Corte a lo largo del interior de esta línea para proporcionar la abertura.

Termine el interior del fregadero cortado en la tapa según las recomendaciones del surtidor del material de la encimera.





by TRANSOLID

## INSTRUCCIONES DE INSTALACIÓN

### DELANTAL DELANTERO UNDERMOUNT SINKS DE ACERO INOXIDABLE

Estas instrucciones son para fregaderos de acero inoxidable Transolid® Studio con panel frontal que se instalan debajo de la encimera. Si está instalando otro tipo de fregadero, como un montaje superior estándar o un fregadero Undermount, consulte las instrucciones específicas para esos fregaderos.

#### ATENCIÓN INSTALADOR:

Transolid® Studio recomienda que todos los mostradores sean cortados por un instalador aprobado o certificado y que los lavabos sean instalados por el instalador siempre que sea posible. La unidad de la encimera / fregadero idealmente debe instalarse como una en el sitio de trabajo.

Estas instrucciones de instalación son para materiales de encimera de superficie sólida. Para obtener información sobre las instalaciones en granito, mármol, piedra, cuarzo o mostradores de bloque de carniceiro, póngase en contacto con su fabricante. Para obtener información sobre la instalación en encimeras de baldosas de cerámica, póngase en contacto con su contratista de azulejos.

Transolid® Studio no se responsabiliza por el fregadero o el mostrador si se dañan durante la instalación.

Los bordes metálicos pueden ser afilados - tenga cuidado al manipularlo.

Recuerde, es su responsabilidad seguir todos los códigos locales de plomería y construcción.

Inspeccione el fregadero para ver si hay daños antes de comenzar la instalación. No instale una unidad dañada.

La garantía se anulará si no se siguen estas instrucciones de instalación.

Las plantillas se proporcionan sólo como una guía. El uso físico del fregadero garantizará un recorte más preciso.

Las instrucciones que empiezan en la siguiente página son para fregaderos de acero inoxidable Transolid® Studio con panel frontal que se instalan debajo de la encimera. Asegúrese de leer todas las instrucciones por completo antes de comenzar la instalación.

Herramientas y materiales que necesitará
Se recomienda la protección de los ojos (gafas de seguridad)
Protección auditiva fuertemente recomendada
Cuadrado de carpintero
Lápiz (no marcador permanente)
Sellador de silicona (no suministrado)
Cinta métrica
Tirantes de madera
Jigsaw o sierra para metales y cuchillas
Calzas o rellenos de gabinetes
Harapos
Alcohol desnaturalizado