

TOTO®

MW6143046CEFG(A)

Carlyle® II WASHLET®+ S500e One-Piece Toilet - 1.28GPF

FEATURES

- Concealed supply connection for seamless installation
- High-efficiency TORNADO FLUSH® (1.28GPF/4.8LPF)
- Skirted design
- CEFIONTECT® glaze prevents debris from sticking to ceramic surfaces for easy cleaning
- Universal Height
- Elongated front bowl
- Decorative one-piece design with high-profile tank
- 12" Rough-in sold separately
- Optional 10"; 14" Uni-fit rough-in
- Chrome trip lever
- See spec sheet SW3046AT40 for WASHLET features

MODELS & COMPONENTS

- **MW6143046CEFGA (#01)**
 - CST614CEFGAT40
Elongated toilet with CEFIONTECT
 - SW3046AT40
WASHLET+ S500e - Auto Flush compatible
 - THU767
Auto Flush kit
- **MW6143046CEFG**
 - CST614CEFGAT40
Elongated toilet with CEFIONTECT
 - SW3046AT40
WASHLET+ S500e - Auto Flush compatible

OPTIONAL ROUGH-IN

- 10" rough-in TSU01W.10R
- 14" rough-in TSU01W.14R

PRODUCT SPECIFICATION

The one-piece high-efficiency Tornado Flush toilet shall be 1.28GPF/4.8LPF. Universal Height Toilet with CEFIONTECT glaze finish. Toilet shall have high-profile tank, elongated front bowl and chrome trip lever. Toilet shall be TOTO Model MW6143046CEFG__#01.

See TOTO Specification sheet SW3046AT40 for details on required WASHLET.



 **TORNADO FLUSH**

 **CEFIONTECT**

CODES/STANDARDS

- Meets or exceeds ASME A112.19.2/CSA B45.1
- Certifications: IAPMO(cUPC), EPA Watersense, State of Massachusetts, City of Los Angeles, and others
- Code compliance: UPC, IPC, NSPC, NPC Canada, and others
- Legislative Compliance: California AB715, California Green Building Code, City of Los Angeles Water Efficiency Ordinance
- ADA compliant (when installed with trip lever located on the approach side)
- Complies with CA Prop 65 warning requirements



MW6143046CEFG(A)

Carlyle® II WASHLET®+ S500e One-Piece Toilet - 1.28GPF

SPECIFICATIONS

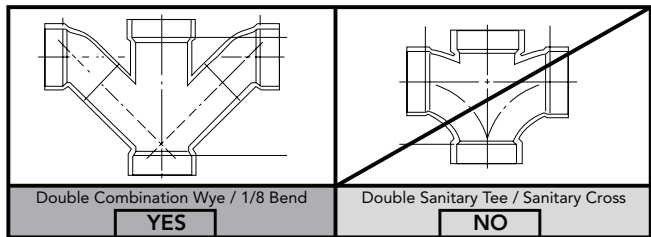
Water Use	1.28 GPF (4.8 LPF)
Flush System	TORNADO FLUSH®
Min. Water Pressure	8 psi (Flowing)
Water Surface	6-7/8" x 9-3/4"
Trap Diameter	2-1/8"
Rough-in	12" (10" & 14" Optional)
Trap Seal	2-1/8"
Warranty	One Year Limited Warranty
Material	Vitreous China
Shipping Weight	CST614CEFGAT40 106 lbs SW3046AT40 15.6 lbs
Shipping Dimensions	CST614CEFGAT40 32"L x 20"W x 17-3/4" H¹ x 28-3/4" H² SW3046AT40 23.75" x 17" x 9-1/2"

See SW3046AT40 Specification Sheet for details on included WASHLET.

INSTALLATION NOTES

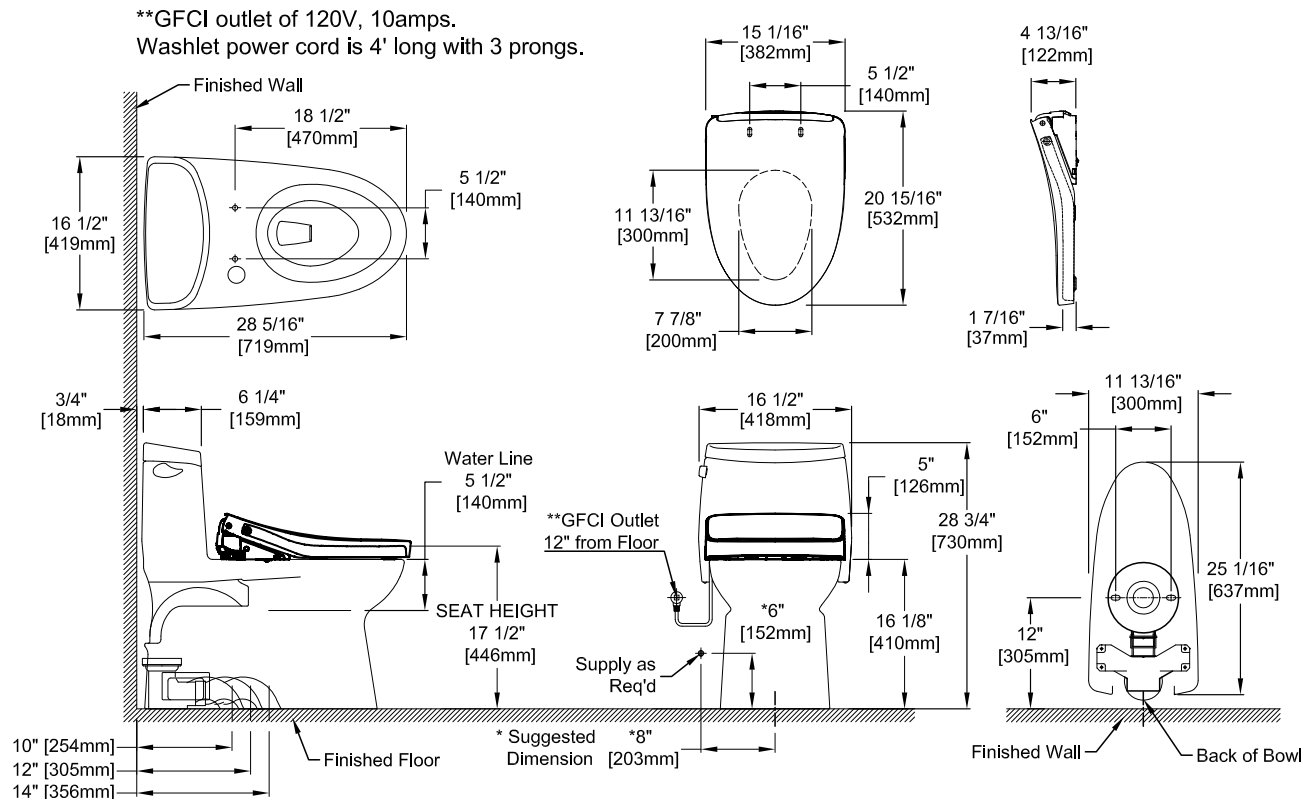
Back-to-Back Toilet Installations:

TOTO recommends the use of a nationally listed, double sanitary tee-wye only, in vertical waste stacks, in accordance with the stipulations noted in the majority of nationally recognized plumbing codes.



To maintain adequate wall gap between the back of the tank and wall, mount the floor flange at a nominal 12" rough-in distance.

DIMENSIONS



TOTO

These dimensions and specifications are subject to change without notice