

## Thermostatic Mixing Valve 1-Function Trim

### FEATURES

- For use with MiniUnit™ (TBN01001U)
- Temperature control trim with anti-scald safety stop
- Unobtrusive twist assist for a clean aesthetic
- ASSE certified Safety Thermo™ (SMA) Thermostatic Mixing Valve
- One-push button for easy on/off

### COLORS/FINISHES

- #CP Polished Chrome
- #PN Polished Nickel
- #BN Brushed Nickel

### CODES/STANDARDS

- Meets or exceeds ASSE 1016/ASME A112.1016/CSA B125.16, ASME A112.18.1/CSA B125.1
- Certifications: IAPMO(cUPC), State of Massachusetts, City of Los Angeles, and others
- Code Compliance: UPC, IPC, NSPC, NPC Canada, and others
- Complies with CA Prop 65 warning requirements



### PRODUCT SPECIFICATION

Product shall be TOTO Model TBV02405U#\_\_\_\_.  
Product shall require TBN01001U MiniUnit (sold separately). Product shall be a temperature control valve and trim with anti-scald safety stop. Product shall be ASSE certified.



 **Safety Thermo™ (SMA)**

# TBV02405U

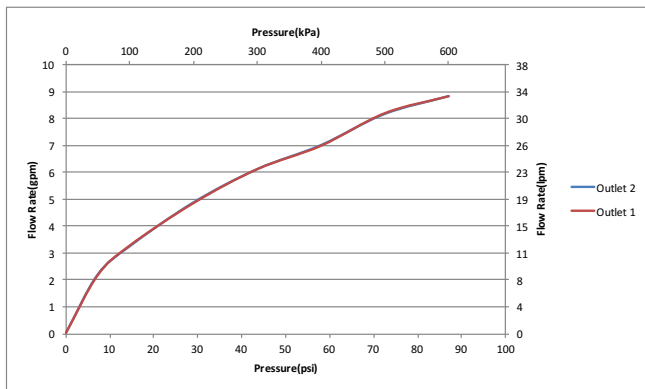
## Thermostatic Mixing Valve 1-Function Trim

### SPECIFICATIONS

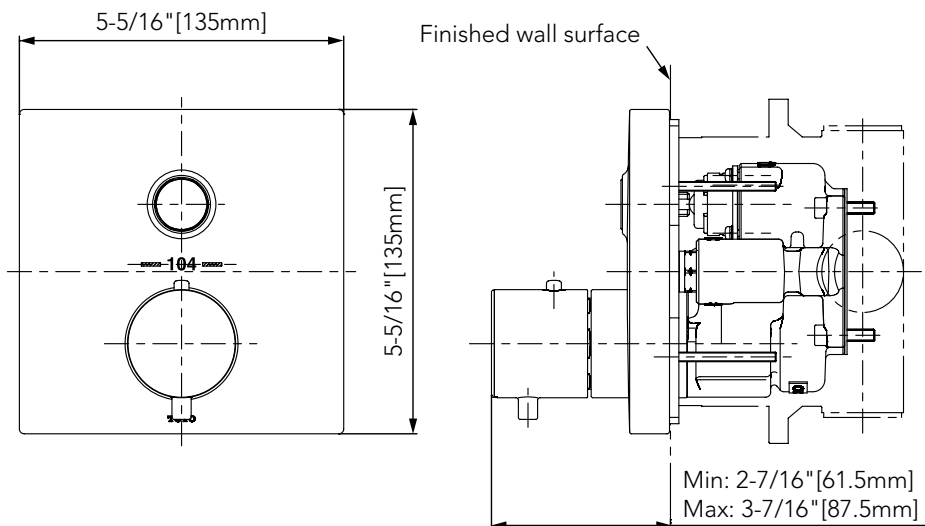
<b>Material</b>	Brass
<b>Warranty</b>	Limited Lifetime (Residential Use) One Year (Commercial Use)
<b>Shipping Weight</b>	5.55 lbs
<b>Shipping Dimensions</b>	9-1/4" x 7-5/8" x 6"

### INSTALLATION NOTES

Requires TBN01001U MiniUnit (sold separately).



### DIMENSIONS



**TOTO**

Ph: (888) 295-8134 | Fax: (800) 699-4889 | www.totousa.com | © TOTO USA

*These dimensions and specifications are subject to change without notice*

#SS-01307 v.01