

Specification Sheets for Traditional Medicine Cabinets

SPECIFICATION VARIANCES

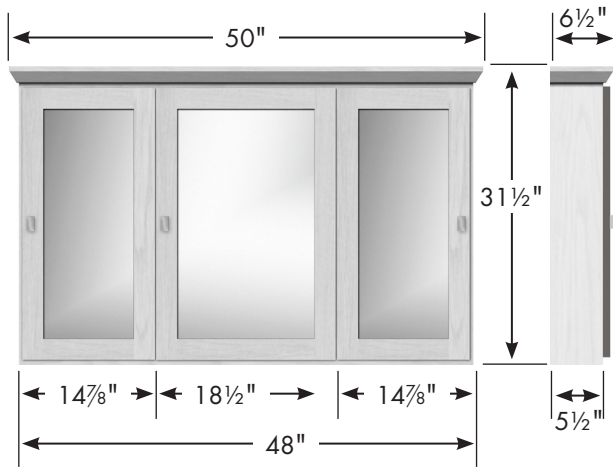
Dimensions on finished cabinets may vary slightly from those shown on these specification sheets due to variability in construction materials.

Our products are engineered to maintain close dimensional tolerances but variability in manufacturing materials can change dimensions slightly (normally within $\pm 1/8"$ but occasionally up to $\pm 3/16"$).

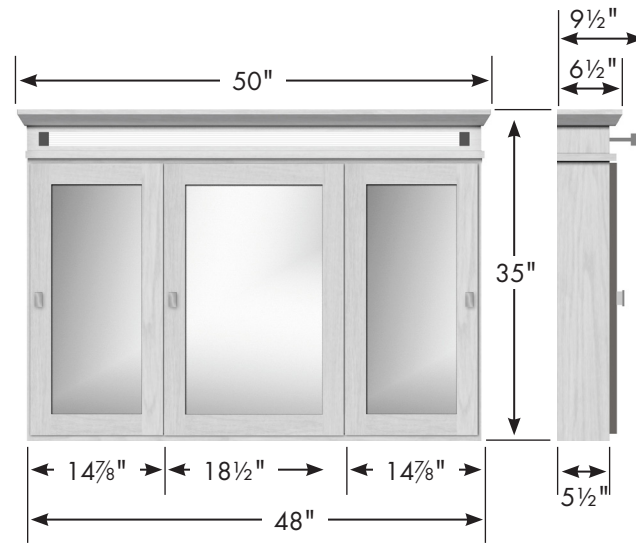
In most applications these slight variations will have no impact upon installation, appearance or function. However, when planning and finishing a space for a built in vanity, **do not frame or finish the space before measuring the actual cabinets in your ensemble!**

We can not be responsible for any expenses incurred as a result of the end user or contractor not following this guideline.

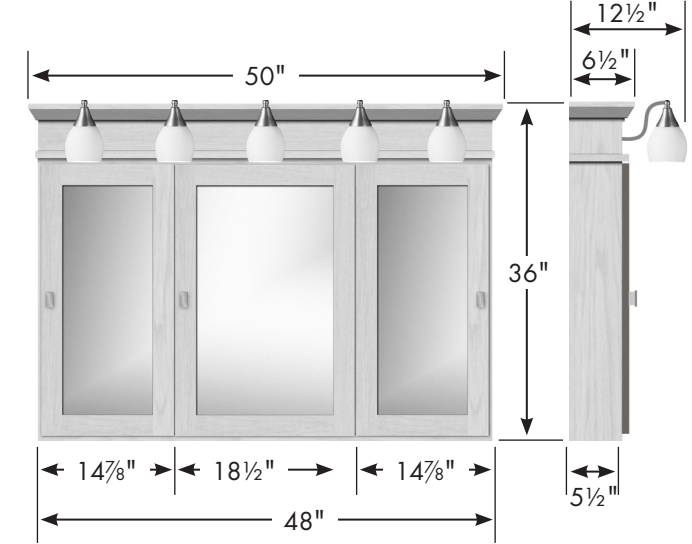
Without Lighting



With LED Lighting



With Traditional Lighting

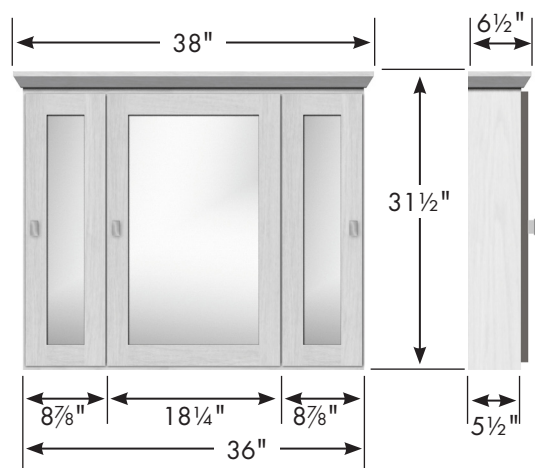


48" Traditional Medicine Cabinet

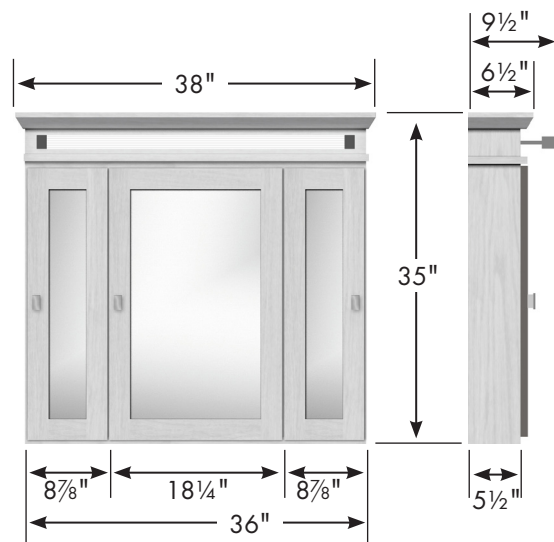
48" wide
31 1/2" tall or 35" (with LED lights) tall
or 36" tall (with traditional lights)
5 1/2" front-to-back



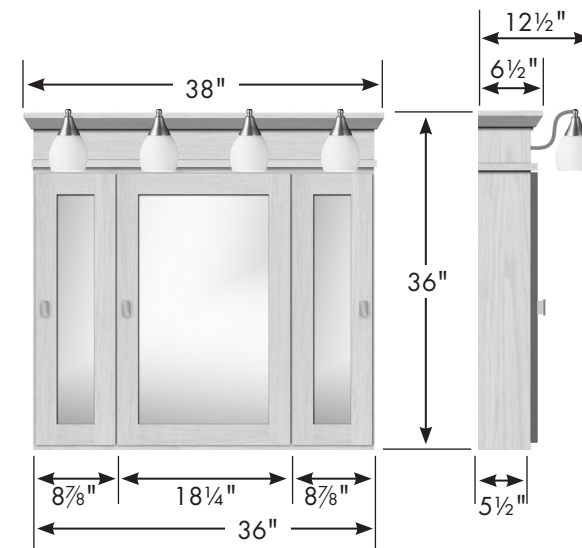
Without Lighting



With LED Lighting



With Traditional Lighting

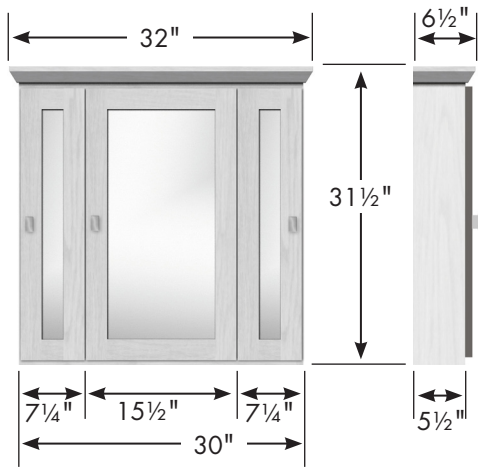


36" Traditional Medicine Cabinet

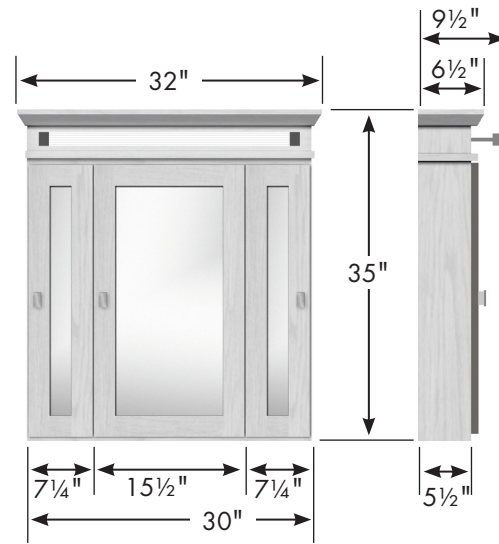
36" wide
31 1/2" tall or 35" (with LED lights) tall
or 36" tall (with traditional lights)
5 1/2" front-to-back



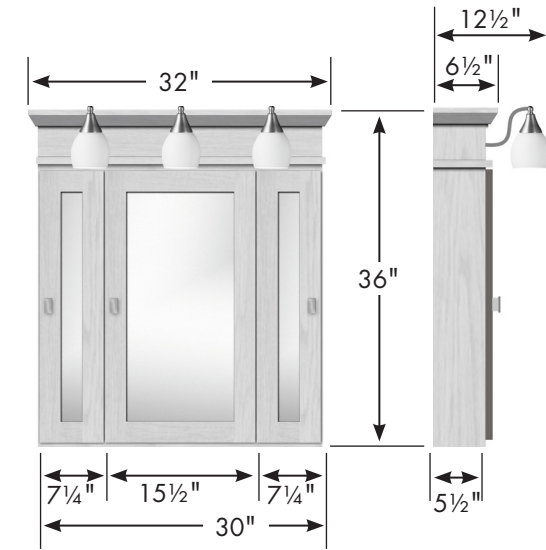
Without Lighting



With LED Lighting



With Traditional Lighting



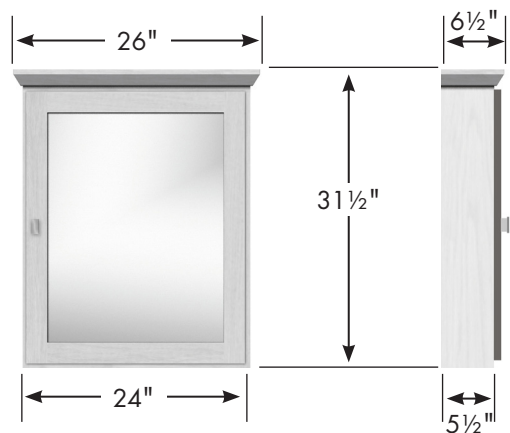
30" Traditional Medicine Cabinet

30" wide
31 1/2" tall or 35" (with LED lights) tall
or 36" tall (with traditional lights)
5 1/2" front-to-back

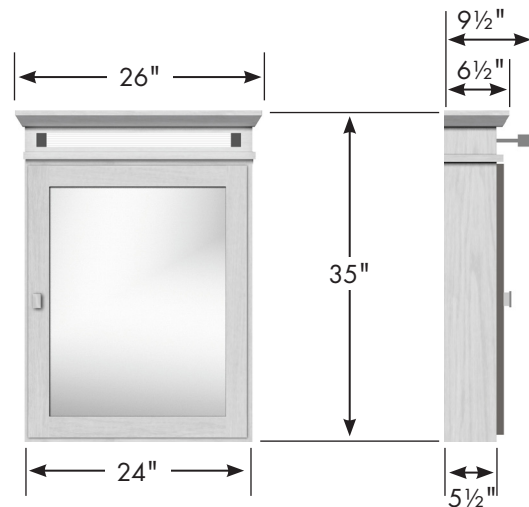


4

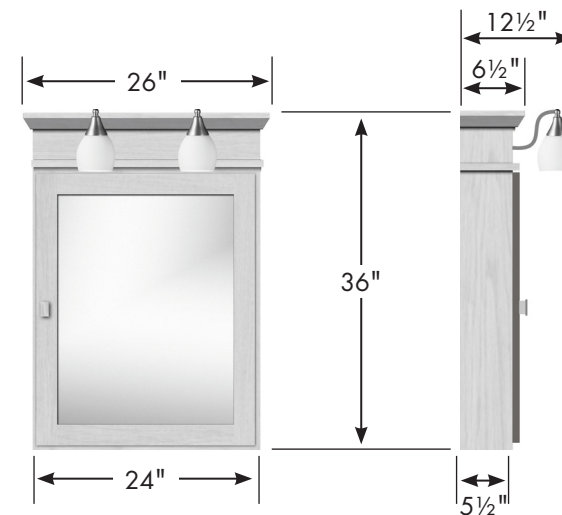
Without Lighting



With LED Lighting



With Traditional Lighting



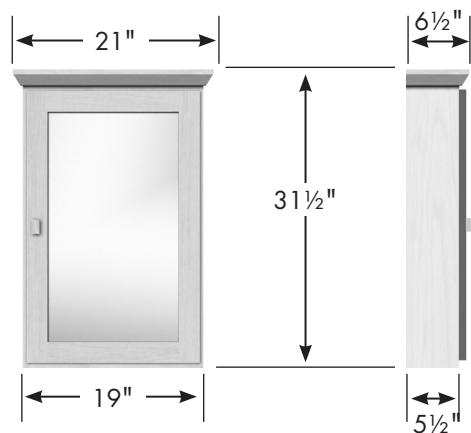
24" Traditional Medicine Cabinet

24" wide
31 1/2" tall or 35" (with LED lights) tall
or 36" tall (with traditional lights)
5 1/2" front-to-back

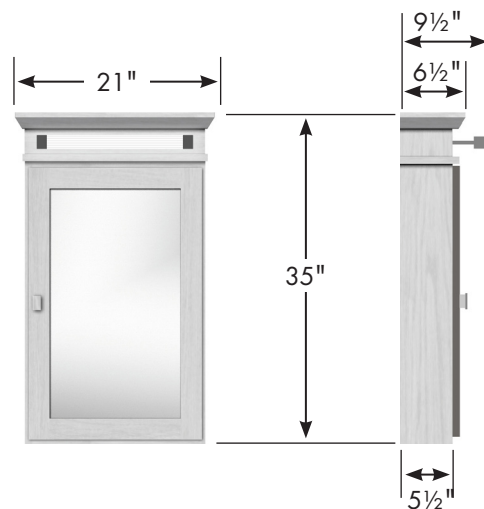


5

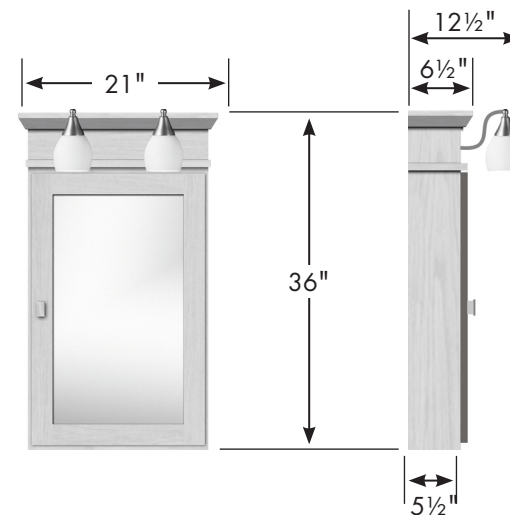
Without Lighting



With LED Lighting



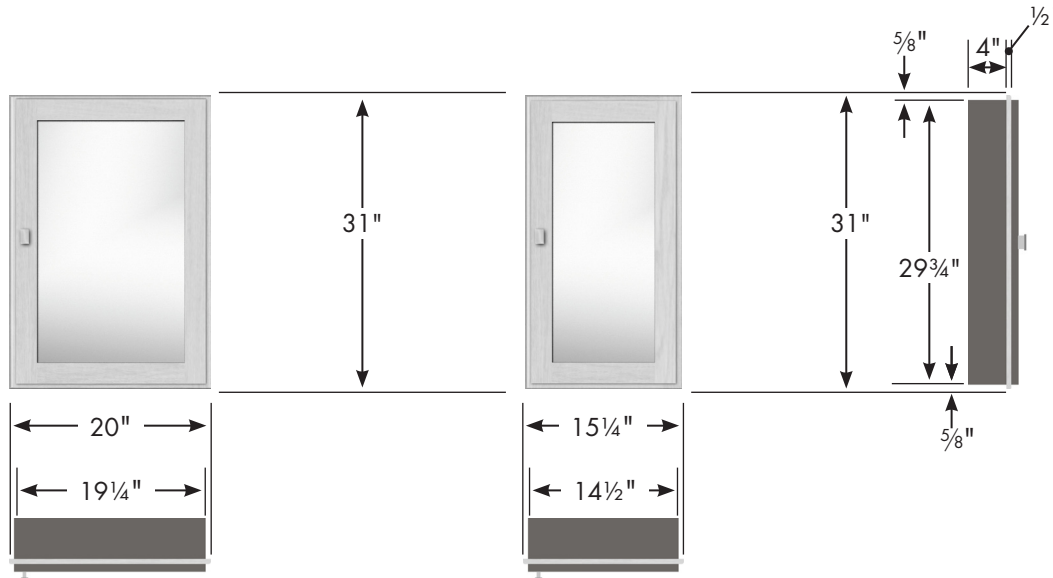
With Traditional Lighting



19" Traditional Medicine Cabinet

19" wide
31 1/2" tall or 35" (with LED lights) tall
or 36" tall (with traditional lights)
5 1/2" front-to-back





20" or 15¼" Traditional Recessed Medicine Cabinet

20" or 15¼" wide
31" tall
4½" front-to-back
(4" recessed in wall)

