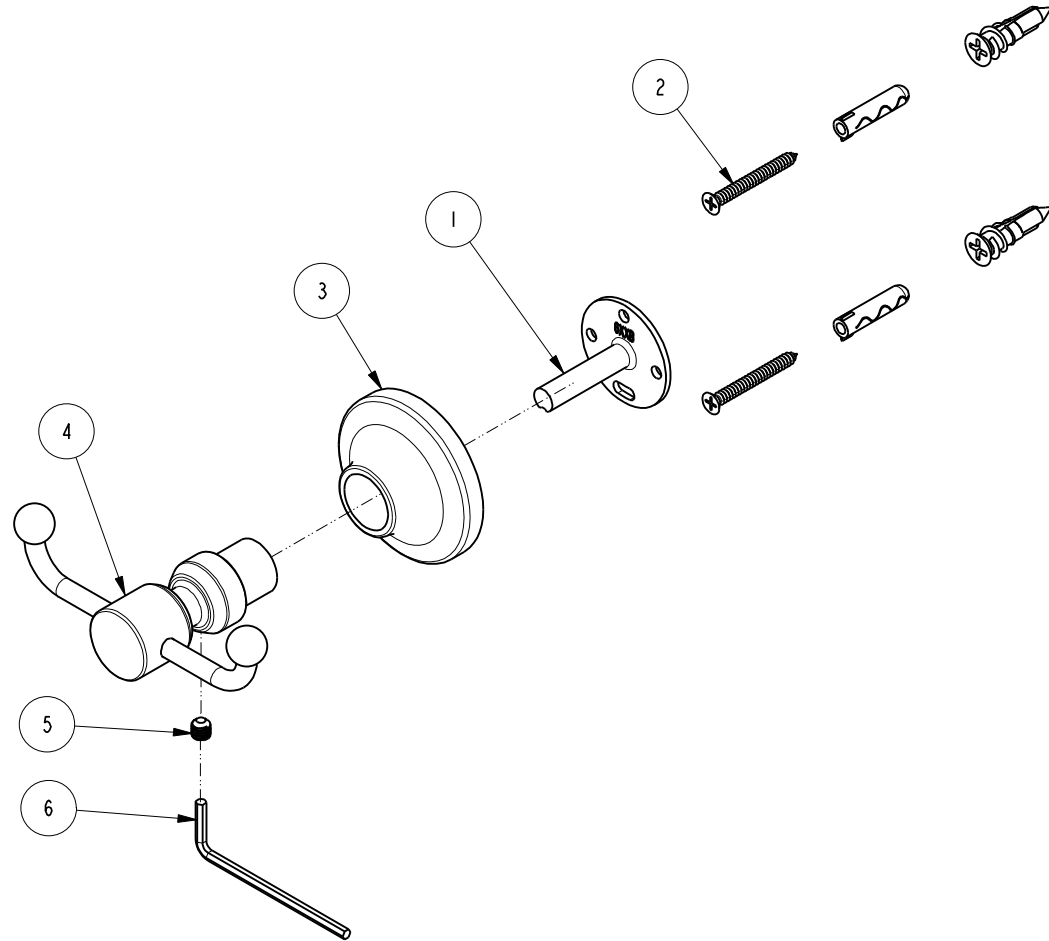
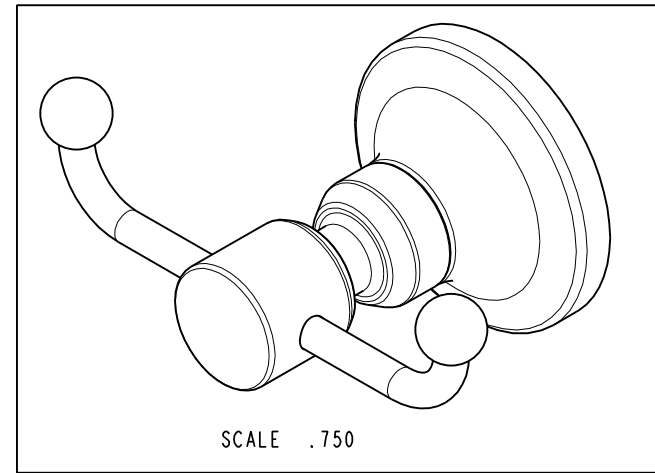


NOTES:

(NI) 1. FIT / FORM / FUNCTION SHALL FOLLOW PS-E.008.



BILL OF MATERIAL (CURRENT LEVEL)				
ITEM	PT/ASSY	DESCRIPTION	TYPE	QTY.
1	6XXB	MOUNTING BRACKET	PART	1
2	1-206	HARDWARE PACK	ASSEMBLY	1
3	20-432	ESCUTCHEON ASM	ASSEMBLY	1
4	20-435	DOUBLE HOOK POST ASSY	ASSEMBLY	1
5	92031	SCRW, M6 X 1 X 6 SKT HD CUP PT W/ SELF LOC SS	PART	1
6	10615	HEX KEY, 3MM ALLOY STEEL	PART	1



COPYRIGHT 2005 BRASSTECH, INC. THESE DRAWINGS AND THE DESIGNS DEPICTED HEREIN ARE THE PROPRIETARY PROPERTY OF BRASSTECH. ANY USE OR REPRODUCTION IS SUBJECT TO THE EXPRESS APPROVAL OF BRASSTECH. UNAUTHORIZED USE IS STRICTLY PROHIBITED. ALL RIGHTS RESERVED.

TESTING	-	-	-	UNITS ARE: INCHES [MM]	
ASSEMBLY	-	-	-	TOLERANCES ARE:	
PLATING	-	-	-	FRACTIONS DECIMALS ANGLES	
POLISHING	-	NEXT ASSY	USED ON	±1/16" .X ±.1 [2,5] ±1°	
MACHINING	-			.XX ±.06 [1,5]	
TOOLING FIXTURE #				(X.XXX) DENOTES CRITICAL DIMS.	
				ALL THREADS ARE CRITICAL	
				DRAWN MANJUNATH 05/14/19	
				CHECKED JINSON 05/14/19	
				APPROVED J.M. 05/14/19	

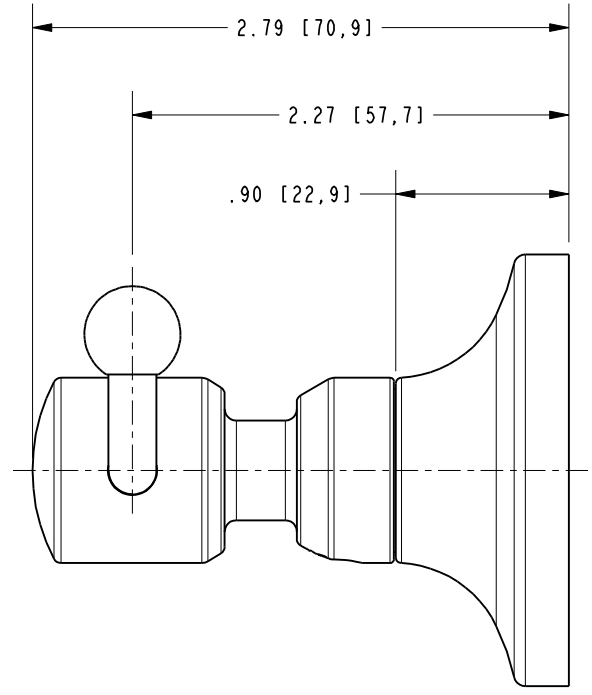
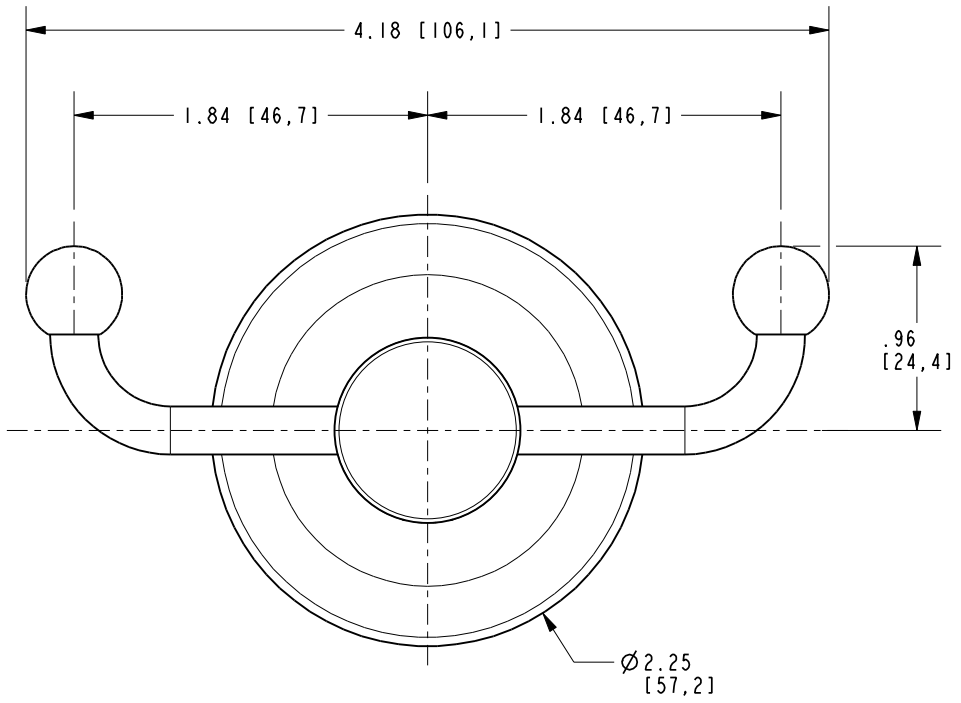
BRASSTECH 2001 CARNEGIE AVE.
INCORPORATED SANTA ANA, CA 92705
(949) 417-5207

DOUBLE ROBE HOOK

DWG NO. **3250-1660** REV -

SCALE .425 REF. - SHEET 1 OF 2

-	-	EN-3852	05/14/19	J.M.
ZONE	REV	DESCRIPTION	DATE	APPROVED



BRASSTECH		2001 E. CARNEGIE AVE. SANTA ANA, CA 92705 (949) 417-5207	
DWG NO.	3250-1660	REV	-
SCALE	1.000	REF.	-
		SHEET	2 OF 2