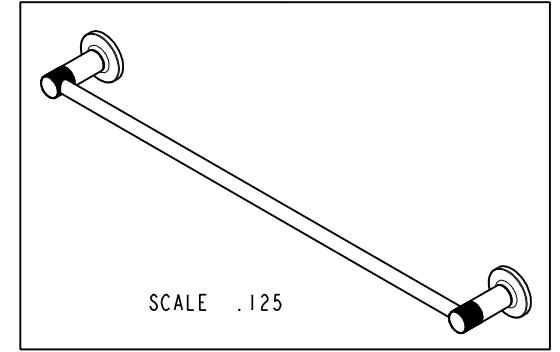
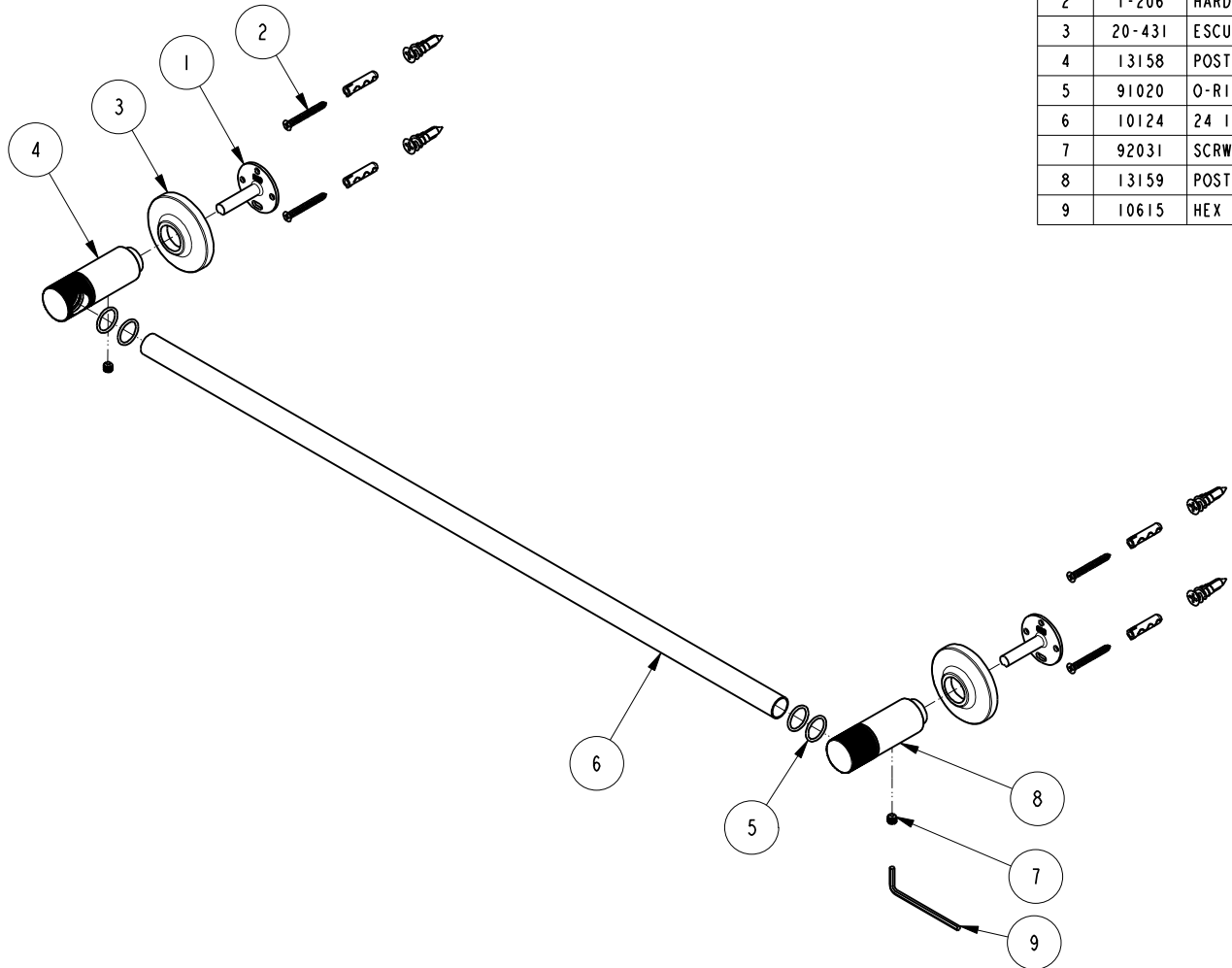


NOTES:

(NI) 1. FIT / FORM / FUNCTION SHALL FOLLOW PS-E.008.

BILL OF MATERIAL (CURRENT LEVEL)

ITEM	PT/ASSY	DESCRIPTION	TYPE	QTY.
1	6XXB	MOUNTING BRACKET	PART	2
2	1-206	HARDWARE PACK	ASSEMBLY	2
3	20-431	ESCUTCHEON ASM	ASSEMBLY	2
4	13158	POST, TOWEL BAR LEFT	PART	1
5	91020	O-RING, #2-016, EPDM, 65-75 DURO, NSF 61	PART	4
6	10124	24 IN. TOWEL BAR	PART	1
7	92031	SCRW, M6 X 1 X 6 SKT HD CUP PT W/ SELF LOC SS	PART	2
8	13159	POST, TOWEL BAR RIGHT	PART	1
9	10615	HEX KEY, 3MM ALLOY STEEL	PART	1



D  
C  
B  
A

D  
C  
B  
A

COPYRIGHT 2005 BRASSTECH, INC. THESE DRAWINGS AND THE DESIGNS DEPICTED HEREIN ARE THE PROPRIETARY PROPERTY OF BRASSTECH. ANY USE OR REPRODUCTION IS SUBJECT TO THE EXPRESS APPROVAL OF BRASSTECH. UNAUTHORIZED USE IS STRICTLY PROHIBITED. ALL RIGHTS RESERVED.

TESTING	-	-	-
ASSEMBLY	-	-	-
PLATING	-	-	-
POLISHING	-	NEXT ASSY	USED ON
MACHINING	-	APPLICATION	
TOOLING FIXTURE #	REMOVE ALL BURRS AND SHARP EDGES		

**BRASSTECH** 2001 CARNEGIE AVE. SANTA ANA, CA 92705 (949) 417-5207  
INCORPORATED

24" TOWEL BAR	
DWG NO. 3230-1250	REV -
SCALE .200	SHEET 1 OF 2

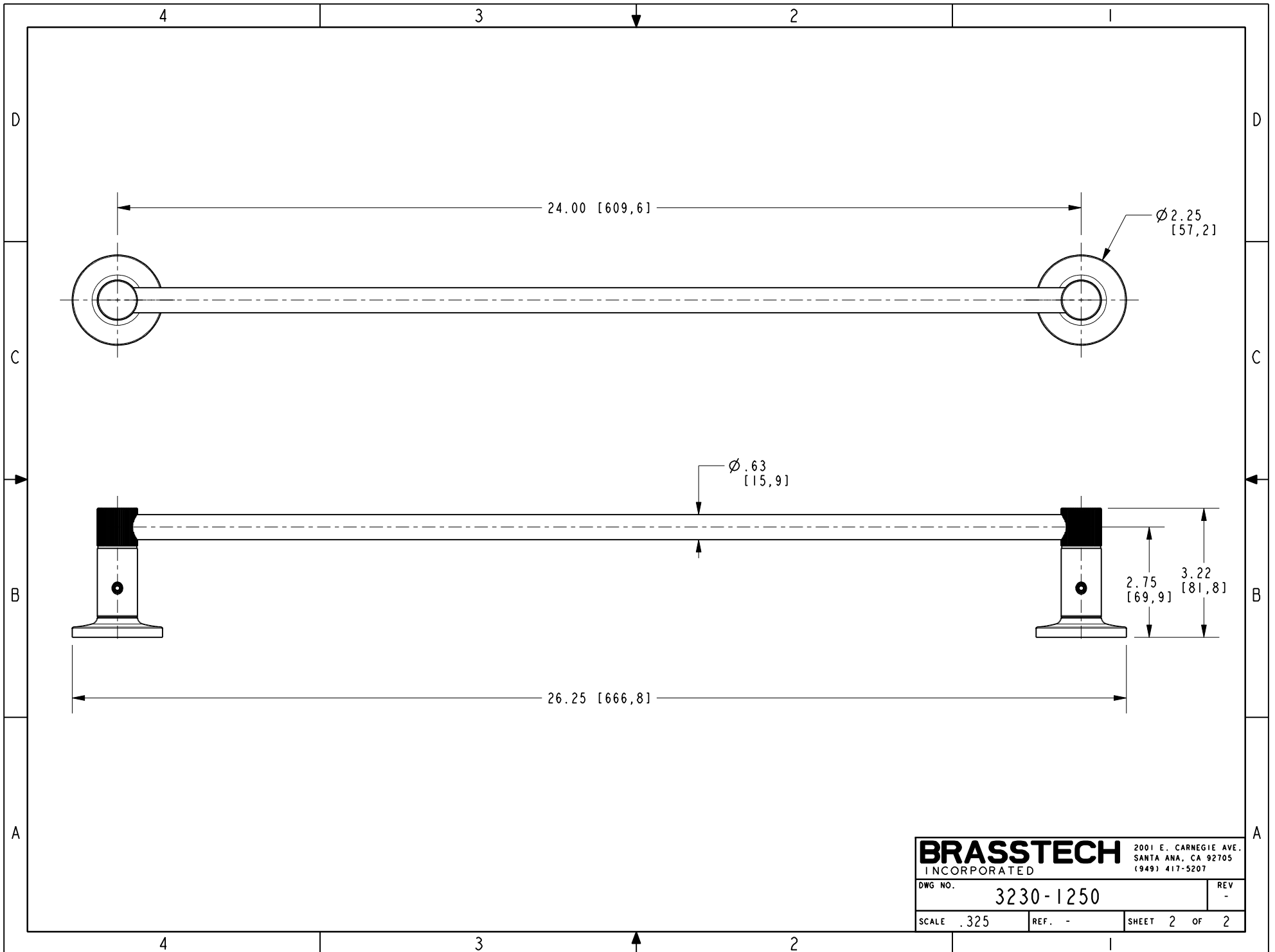
EN-3852	05/13/19	J.M.
ZONE	REV	DESCRIPTION

4

3

2

1



<b>BRASSTECH</b>		2001 E. CARNEGIE AVE. SANTA ANA, CA 92705 (949) 417-5207	
DWG NO.	3230-1250	REV	-
SCALE	.325	REF.	-
SHEET 2		OF 2	