
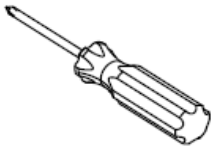

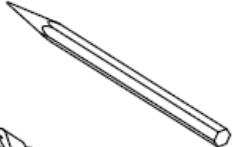

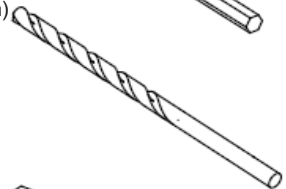
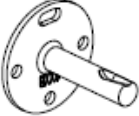
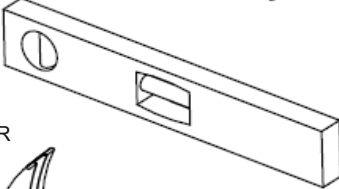

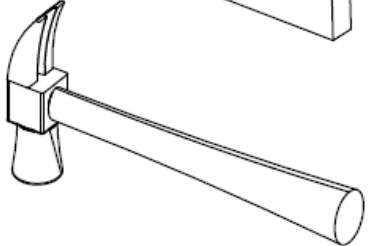

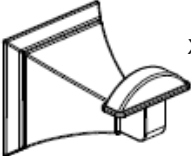


ITEMS INCLUDED		TOOLS REQUIRED	
DRY WALL ANCHOR	 X 2	PHILLIPS SCREW DRIVER	
TILE ANCHOR	 X 2	PEN / PENCIL	
#8 SCREW	 X 2	1/4" (6mm) DRILL	
MOUNTING BRACKET	 X 1	LEVEL SET	
M6 X 1 SET SCREW	 X 1	HAMMER	
3MM ALLOY STEEL HEX KEY	 X 1		
ROBE HOOK	 X 1		

INSTALLATION INSTRUCTIONS

41-12

ROBE HOOK

B BRASSTECH®

2001 CARNEGIE AVE, SANTA ANA CA 92705

(949) 417-5207

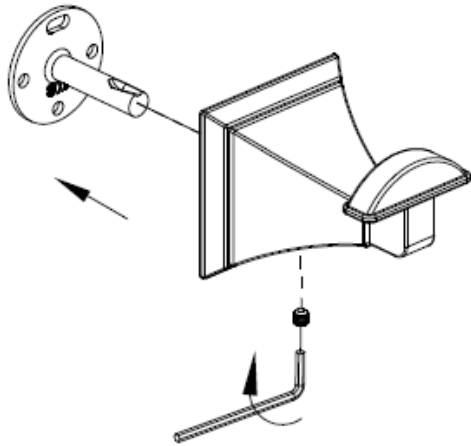
WWW.GINGERCO.COM

INS 41-12

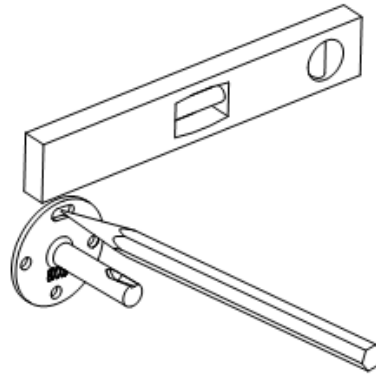
EN-3124

REV -

① REMOVE MOUNTING BRACKET



② ALIGN MOUNTING BRACKET AND MOUNT LOCATION



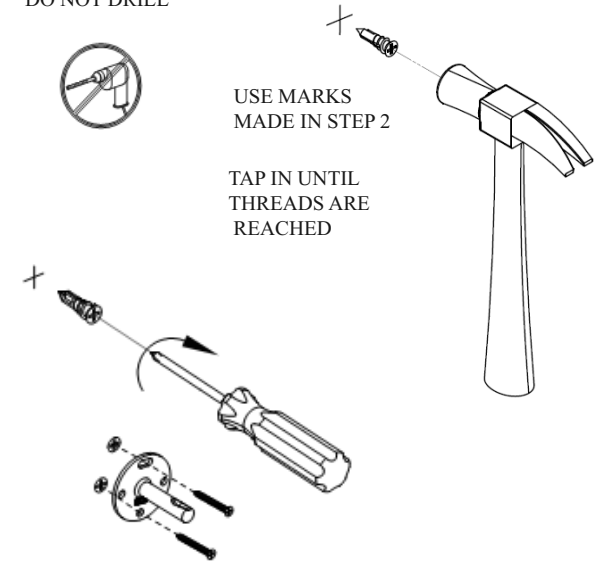
③ DRY WALL INSTALLATION

DO NOT DRILL



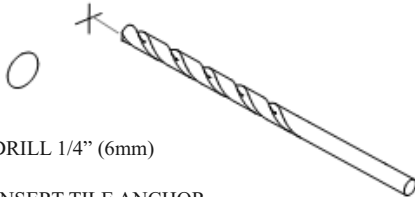
USE MARKS
MADE IN STEP 2

TAP IN UNTIL
THREADS ARE
REACHED



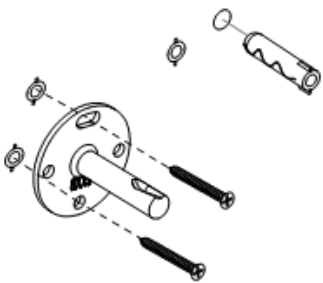
④ TILE OR SOLID WALL INSTALLATION

USE MARKS MADE IN STEP 2

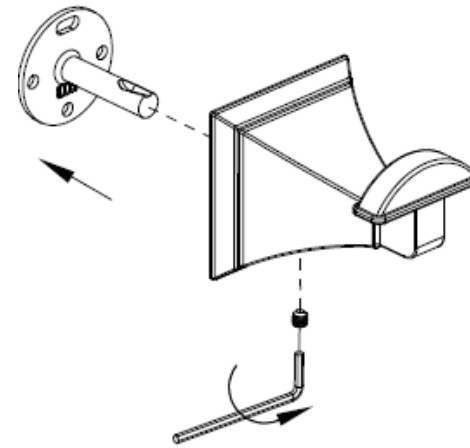


DRILL 1/4" (6mm)

INSERT TILE ANCHOR



⑤ INSTALL PRODUCT ONTO BRACKET



SECURE WITH SET SCREW