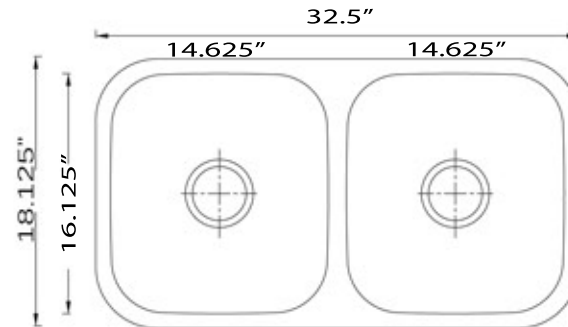


Sconset Collection

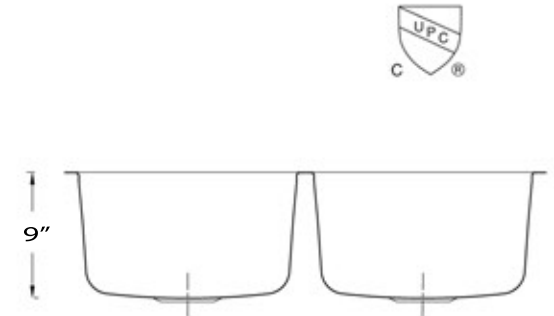
Premium Stainless Undermount Kitchen Sink



MODEL:
NS10i-16



TOP VIEW



FRONT VIEW

| Overall Dimensions | Interior Bowls | Drain Opening | Bottom Grid/s | Bowl Depth |
|--------------------|---------------------------|---------------|---------------|------------|
| 32.5" x 18.125" | 14.625" x 16.125" Each | 3.5" | BG10i | 9" |

FEATURES

- Premium 304, 16 gauge Stainless Steel Kitchen Sink
- Includes bottom grids and Colander Drains
- Brushed Satin Finish
- Limited Lifetime Manufactures Warranty
- Insulated to Reduce Condensation
- Rubber Padding is Applied for Noise Reduction



PROJECT/ NAME:

ARCHITECT/CONTRACTOR:

MODEL:

JOB NOTES: