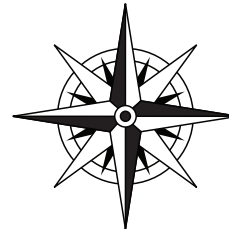


Vineyard Collection

Premium Fireclay Farmhouse Apron Kitchen Sink



Nantucket

S I N K S

model:

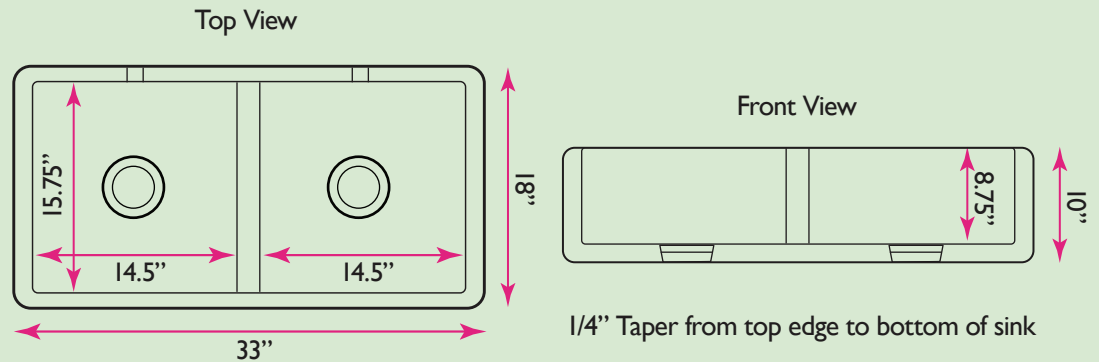
FCFS3318D-MatteBlack

www.NantucketSinksUSA.com

info@nantucketsinksusa.com



SPECS



OVERALL DIMENSIONS	INTERIOR BOWL(S)	APRON HEIGHT	BOWL DEPTH	DRAIN DIMENSIONS
33" x 18" x 10"	14.5" x 15.75"	10"	8.75"	3.5" Opening

FEATURES:

- Fireclay is hygienic, with a glazed surface that inhibits bacterial growth better than stainless steel
- Drain and compatible grid (BG-VC3318) not included; compatible with garbage disposals
- Reversible - finished on all sides
- Limited warranty
- Nominal Dimensions* - actual dimensions may vary by .5"
- Professional installation recommended - heavy requires 2 people lift
- Template not included
- Drain hole is 3.5" standard opening - may require extended flange/ferrule due to sink thickness
- Custom/apron base required - measurements taken from actual sink

Project Name: _____

Architect / Contractor: _____

Job Notes: _____
