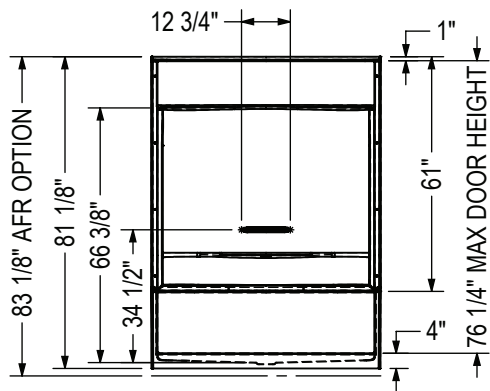
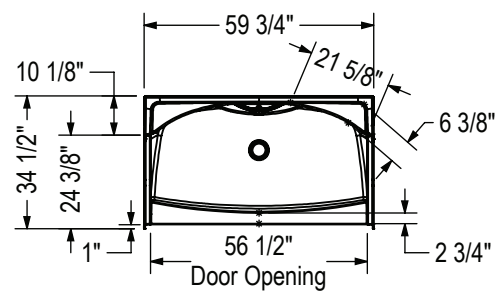
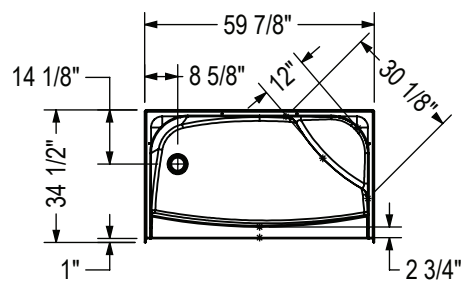


STANDARD

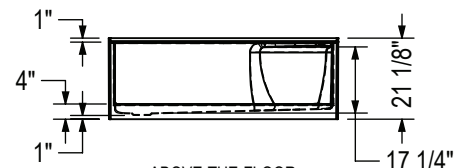
NO SEAT



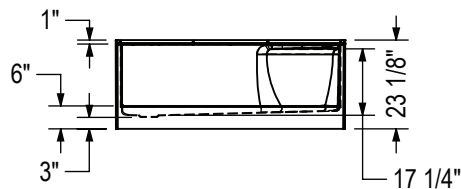
RIGHT SEAT SHOWN  
LEFT SEAT SYMMETRICAL



NOT ABOVE-THE-FLOOR

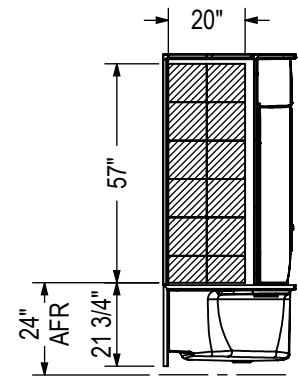


ABOVE-THE-FLOOR

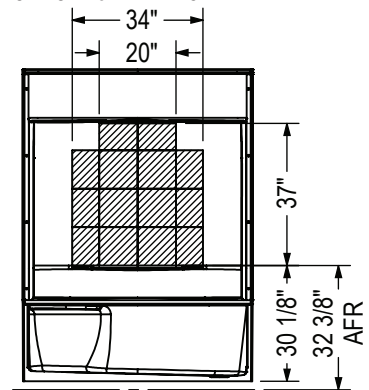


REINFORCEMENT BACKING

OPTION 20212-R RIGHT WALL SHOWN  
OPTION 20212-L LEFT WALL SYMMETRICAL

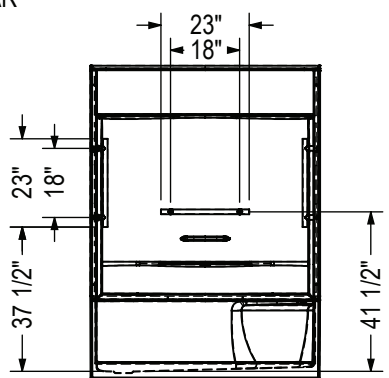


OPTION 20212-B BACK WALL

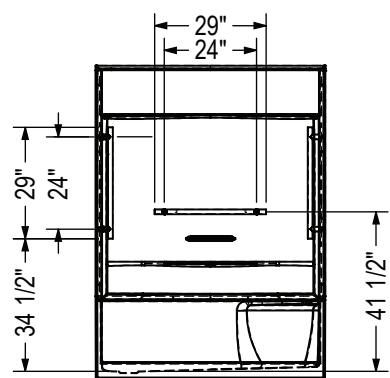


GRAB BAR

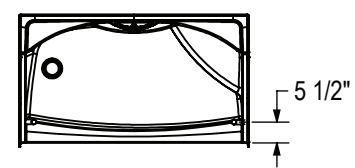
OPTION 20203



OPTION 20204



OPTION 20203-20204



All dimensions are approximate. Structure measurements must be verified against the unit to ensure proper fit.