

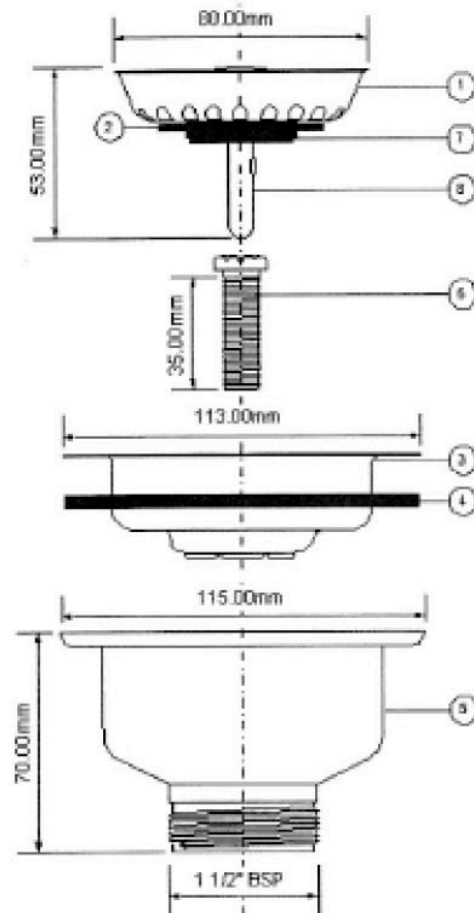
## MT300 Deluxe 3-1/2" Kitchen Sink Strainer

### INSTALLATION DIMENSIONS

*This model offers you the following features & benefits:*

- Spring loaded center post for smooth operation.
- Available in over 16 finishes

*For thicker Flire Clay type sinks order BDRFRL55 55mm ferrule (see part#6)*



Part Number	Material
1	Stainless Steel
2	EPDM
3	Stainless Steel
4	Nitrile
5	Polypropylene
6	C.P.Brass
7	Engineering Plastic
8	CP Brass

#### Warranty

\*ALL MOUNTAIN PRODUCTS CARRY A 1 YEAR WARRANTY ON ALL WORKING PARTS.(except disposers)

\*MOST SPECIAL FINISHES HAVE A 1 YEAR WARRANTY IF INSTRUCTIONS ARE FOLLOWED PROPERLY. ORB, EB, MHB, WCP, AND TB HAVE A 90 DAY WARRANTY IF INSTRUCTIONS ARE FOLLOWED PROPERLY.

\*ALL PVD FINISHES COME WITH A LIFETIME WARRANTY IF INSTRUCTIONS ARE FOLLOWED PROPERLY

\*ALL XENYO COLORED PRODUCTS HAVE A LIFETIME WARRANTY

\*USE OF PLUMBERS PUTTY ON PRODUCTS VOIDS WARRANTY

Specifications subject to change without notice.