

**MBODI6636A**

66" x 36" x 16.5"

Installation: Drop-In or Undermount

Material: Acrylic

Plumbed Weight: 135 lbs / 61 kg

Soaker Weight: 115 lbs / 52 kg

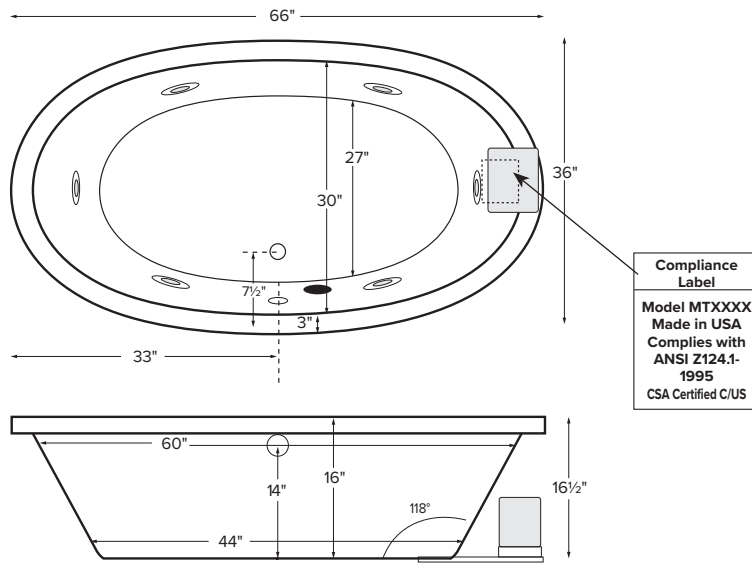
Average Fill: 41 gal to above jet level

Maximum Fill: 51 gal to overflow



Package	Package Content	Part #
Soaker	Soaking bath - No jets. Includes textured bottom.	MBSODI6636A
Air Bath	12 air jets, heated air blower, pre-leveled foam base and textured bottom. <i>pre-leveled foam base increases overall tub height 2"-3"</i>	MBAODI6636A
Whirlpool	6 point-massage jets, 1-bhp pump and textured bottom	MBWODI6636A

Shown with Whirlpool Package



**Options** *Must be ordered at time of purchase.*

**Standard** White (no charge)

**Color Upgrade:** Biscuit (MTISCOLOR)

**Quick Ship / Priority**

Soaker & Whirlpool (QSHIPMTIS)

Airbath (QSHIPMTISA)

**Inline Heater**

For Whirlpool (HTRMTIS) uses existing pump

For Soaker & Air Bath (MBHTISOAK)

heater with recirculating pump

**Accessories.**

**Lift and Turn Drain & Overflow**

Chrome (MBWOC), White (MWOW),

Brushed Nickel (MBWOBN)

**Pillows**

Soft Pillow

White (MBPSW) Black (MBPSB)

Roll-Up Pillow

Light Aqua (MBPRUC) Black (MBRUB)

**Installation Options.** *Must be ordered at time of purchase.*

**Pre-Leveled Foam Base**

5' Tubs (MBPLFOAM)

5.5' & 6' Tubs (MBPLFOAM2)

*All airbaths include a pre-leveled foam base.*

**Important Ordering and Installation Information**

- Before ordering or installing, consider access to equipment.
- Always measure tub on-site before building tub deck.
- Use proper bedding compound to fully level and support the tub.
- Tubs equipped with an air system or factory installed pre-leveled foam base are designed to install directly onto a flat level subfloor.
- Tub height is increased up to 3" when equipped with factory-installed foam base.
- Location of all therapy components is predetermined and cannot be changed.
- Options listed cannot be combined with Designer Collection options.

- Before discarding tub crate, check for accessories that may be packaged inside.
- All product measurements are ±1/2".
- Specifications and configurations are subject to change without notice.
- Measurements herein supersede all others published prior to publication date below.

Hydrotherapy Package	Components Included	GFCI / 110V
Soaker with Optional Inline Heater	½-bhp pump, inline heater	1-15 amp
Whirlpool or Air Bath	1-bhp pump	1-15 amp
Whirlpool with Optional Inline Heater	1-bhp pump, inline heater	1-20 amp
Air Bath with Optional Inline Heater	heated blower, ½-bhp pump, inline heater	2-15 amp

CSA Certified C/US; ANSI Z124.1 and ANSI 112.19.7

**NOTE:** *Filling this tub to the maximum may require an above average size or dedicated water heater.*

