

# CU Series Steambath Generators

## Steamhead Installation Instructions

PN 103984

### Steam Head

( $\frac{3}{4}$ " N.P.T.)

1. For steam rooms constructed of tile, marble or similar non-porous heat-resistant materials for the enclosure, locate steam head 12 inches above steam room floor and install Mr.Steam PN 103985 acrylic shield on each steamhead (provided).

**IMPORTANT:** For Steam rooms using acrylic, fiberglass or other non-heat resistant materials used for steam room enclosure, consult the room manufacturer before installing the steamhead.

2. Locate each steamhead away from bather seating area and away from traffic patterns where incidental contact may occur.

3. Install each steamhead with steam slots facing to the left and right as shown in the diagrams.

4. **NOTE:** To preserve the steamhead finish, do not use wrench or other tools to tighten. Use of proper thread sealant and hand tightening is usually sufficient.

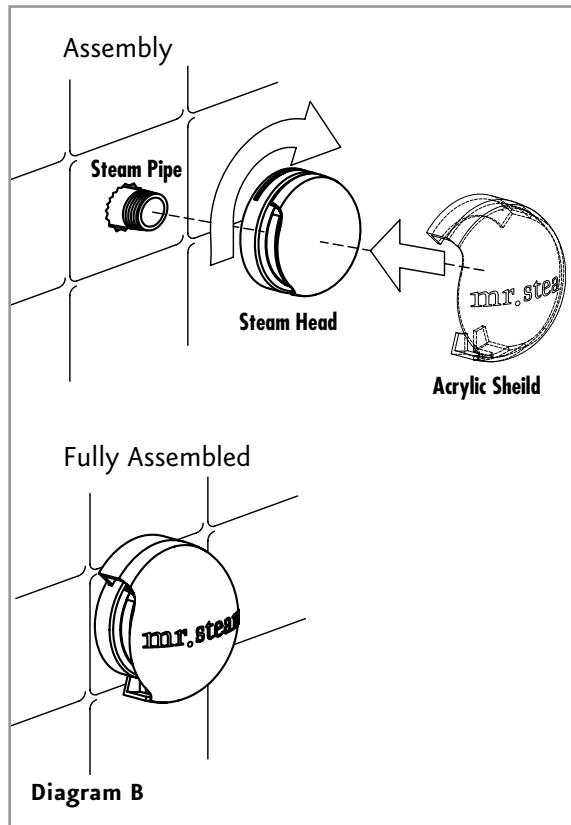
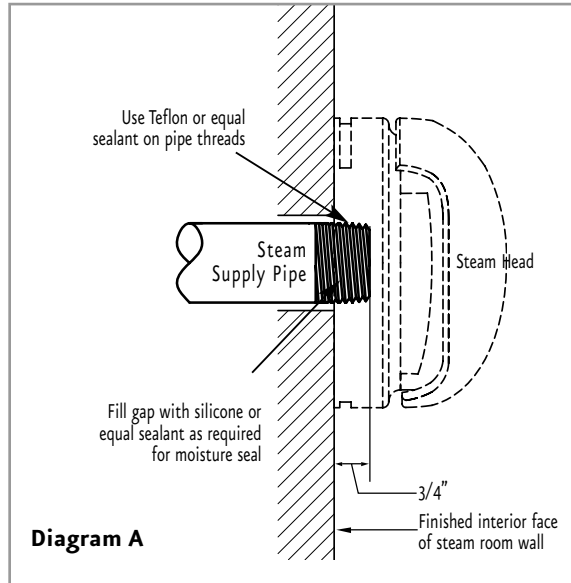
5. Apply a bead of silicone around the steamhead where it meets the wall.

### Acrylic Shield

Apply a small bead of silicone in the grooves on the top and bottom of the steamhead. Place the provided Acrylic Shield (PN 103985) over the steamhead until the tabs engage the grooves in the steamhead.

**! WARNING** Steamheads get hot. Operation of the steam room without an acrylic shield may expose users to the steamhead's hot surfaces. Do not operate steam room without an acrylic shield on each steamhead.

**IMPORTANT:** Do not use with water soluble fragrance or fragrance containing emulsifiers or aldehydes. Acrylic Shield damage may result. Mr.Steam oils are approved for use with this acrylic shield.



mr.steam® steambaths

mr.steam®

Sussman-Automatic Corporation®  
info@mrsteam.com  
www.mrsteam.com

43-20 34th Street  
Long Island City, NY 11101  
TEL: 800 76 STEAM  
FAX: 718 472 3256

9410 S. La Cienega Blvd.  
Inglewood CA 90301  
TEL: 800 72 STEAM  
FAX: 310 216 2944

PUR 100427 REV 4/08