

Wynford™ Technical Specification

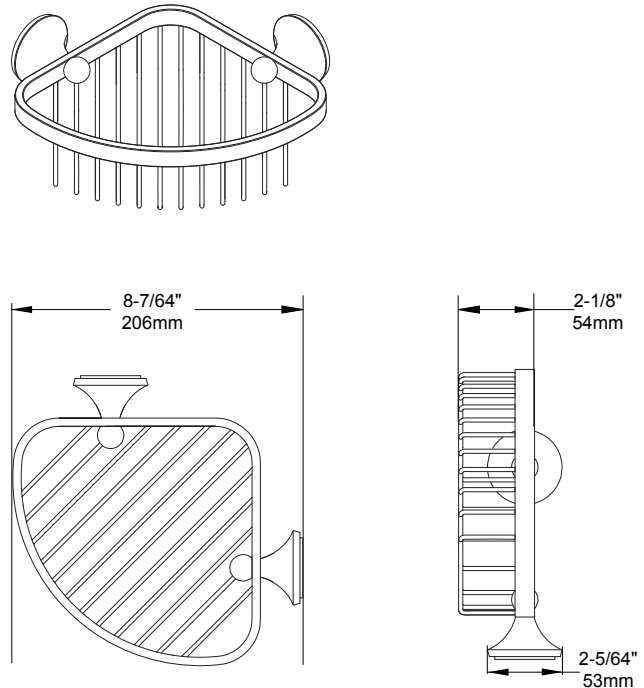
Corner Shower Basket

YB5275

Stock Numbers:

- YB5275CH – Corner Shower Basket
Chrome Finish
- YB5275BN – Corner Shower Basket
Brushed Nickel Finish
- YB5275ORB – Corner Shower Basket
Oil Rubbed Bronze Finish

Dimensions:



Materials:

Corner Shower Basket are constructed of 304 stainless steel.

Installation Instructions:

1. We strongly encourage you to determine if plumbing, electrical or other obstructions are contained behind the wall surface prior to drilling.
2. Place the partially assembled basket against the desired installation corner of the shower. Use the basket mounting brackets as a Template to mark the drill holes on the wall. Use a level to ensure the basket is level. With a pencil, mark two Mounting locations on each of the two shower basket mounting brackets.
3. Use a 1/4" size Drill bit to drill holes at each marked mounting location.
4. Push plastic anchor into holes. Lightly tap anchors so that they are flush against walls.
5. Using the Allen Wrench, remove mounting brackets by removing screws. One at a time, place mounting brackets on the anchors and install screws. Install covers and plastic bushings by placing them over mounting bracket.
6. Align Basket holes with the holes in the decorative cover. Hand tighten screws to each side. Further tighten using an Allen Wrench.
7. Snap decorative caps over the heads of the screws.

Installation Instructions:

To preserve the fine finish of this product, clean only with a soft damp cloth. Dry well. Do not use commercial or abrasive cleaners.



Buy it for looks. Buy it for life.®

Stock Number: _____ Corner Shower Basket
By MOEN

25300 AL MOEN DRIVE • NORTH OLMSTED, OH 44070
CORPORATE HEADQUARTERS: (800) 321-8809 • FAX: (800) 848-6636
INTERNATIONAL: (440) 962-2000 • FAX: (440) 962-2726
CUSTOMER SERVICE (USA): (800) 882-0116 • FAX: (888) 379-2720
WWW.MOEN.COM ©Copyright Moen, Inc.