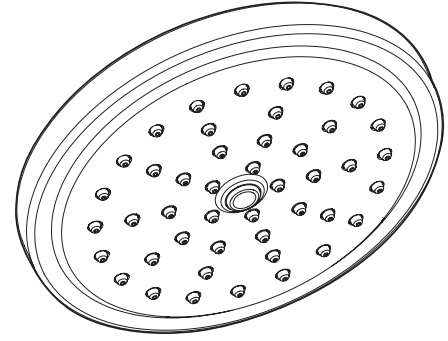


MOEN®

*There is more than 1 version of this model.
Page down to identify the version you have.*

SPECIFICATIONS



6-3/4" Rainfall Showerhead

MODELS: S176 Series

IMMERSION™
rainshower technology

DESCRIPTION

- Metal construction with various finishes identified by suffix
- Brass swivel ball assembly

OPERATION

- Self pressurizing design that provides strong performance regardless of line pressure
- Single spray function

FLOW

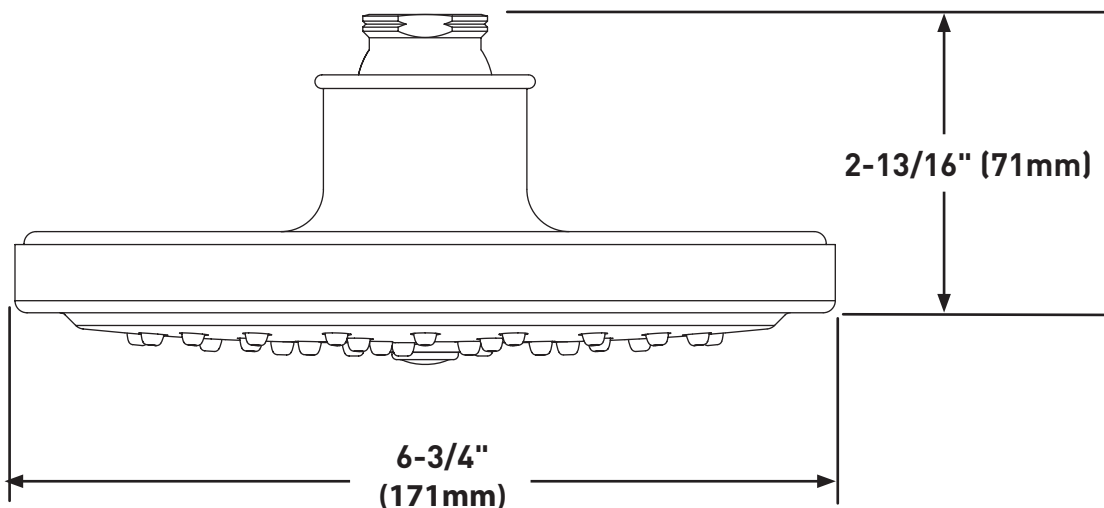
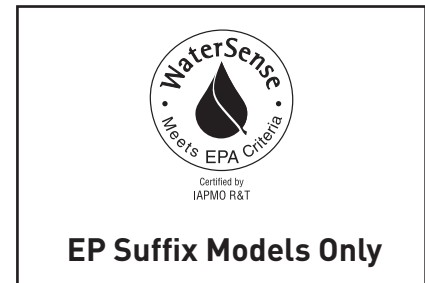
- No suffix is designed to deliver 2.5 gpm (9.5 L/min) at 80 psi
- EP suffix models are limited to 2.0 gpm (7.6 L/min) max for products manufactured prior to June 30, 2018. EP suffix models manufactured after June 30, 2018 are limited to 1.75 gpm (6.7 L/min) max.
- EP15 suffix models are designed to deliver 1.5gpm (5.7 L/min) MAX at 80 psi

STANDARDS

- Third party certified to CSA B125.1/ASME A112.18.1 and all applicable requirements referenced therein
- Third party certified to WaterSense® (only applies to 1.75gpm and 1.5gpm)

WARRANTY

- Lifetime limited warranty against leaks, drips and finish defects to the original homeowner
 - 10 year limited warranty when used in a multifamily installation
 - 5 year limited warranty when used in a commercial installation
- Visit www.moen.com/support for complete details and limitations



CRITICAL DIMENSIONS DO NOT SCALE

