

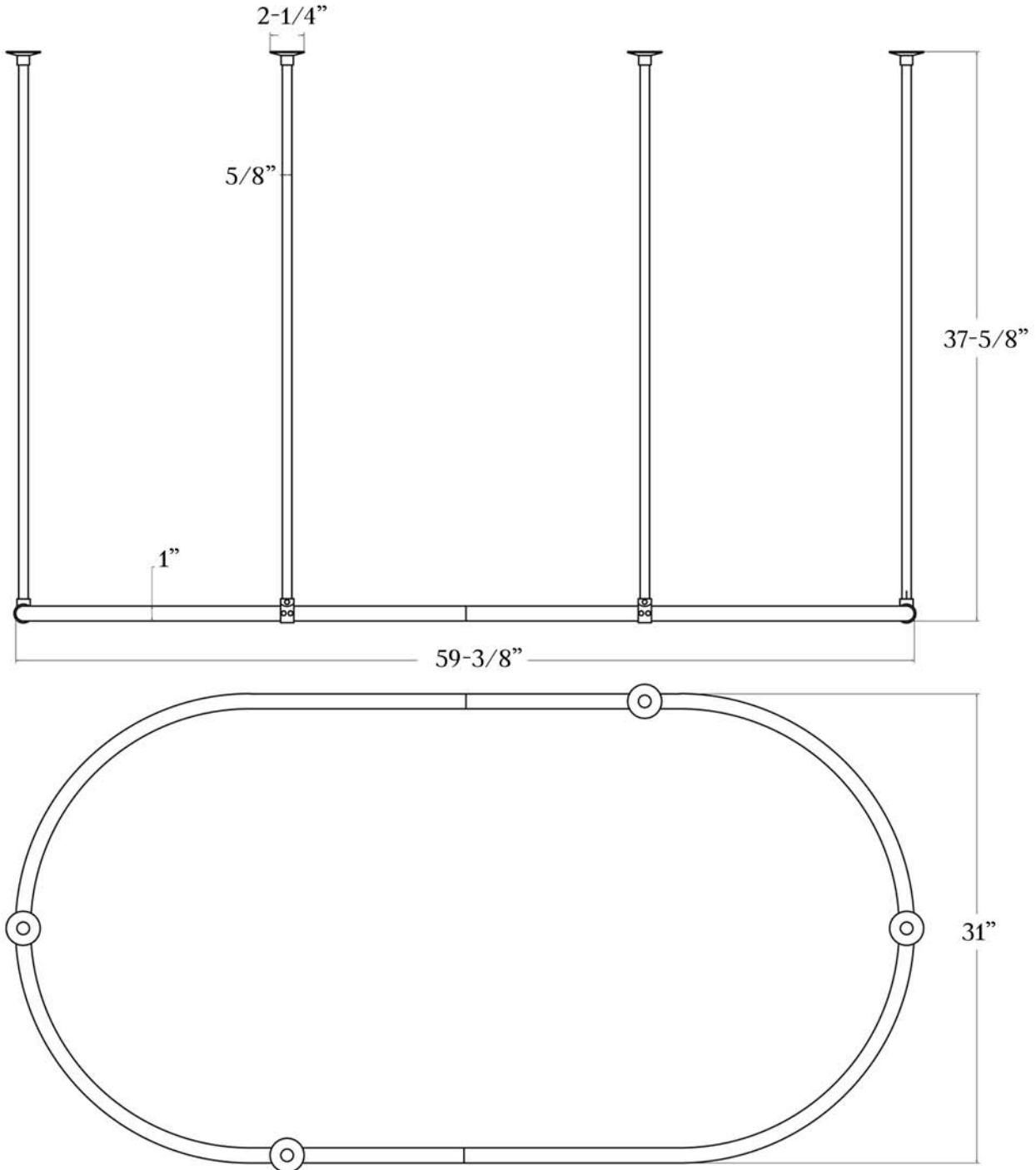


MAIDSTONE

www.MaidstoneSupply.com

Oval Shower Enclosure

Part No: 143-OR2



Contact Maidstone for additional information and specifications. For complete warranty information and a list of dealers visit www.MaidstoneSupply.com. All products and specifications are subject to change without notice. Maidstone is not responsible for typographical and/or dimensional errors. Typographical errors are subject to correction.

Note: Rough-in dimensions may vary $\pm 1/2$ " and are subject to change. No responsibility is assumed by Maidstone.