

Estate - 72D

Specification & Installation Guide

Features

- Free Standing 72D vanity: 33-1/2" (851mm)H x 22"(560mm)D x 71-5/8" (1820mm)W
- Furniture grade plywood layered with solid wood veneer and protected with several coats of polyurethane.
- Matching finish inside out.
- Six drawers with full-extension soft-close hardware.
- All drawers with adjustable tempered glass dividers.
- Feet options: 4 L-feet, 2 S-feet or 1 C-base.
- Handle/inlay finish options: polished chrome (PC), brushed nickel (BN), polished nickel (PN), matte black (MB) and satin brass (SB)
- Cabinet furnished assembled. Feet/bases shipped separately.

Colors/Finishes

- Brandy (BR)
- Matte White (MW)
- Studio Grey (TG)

Top/Basin options

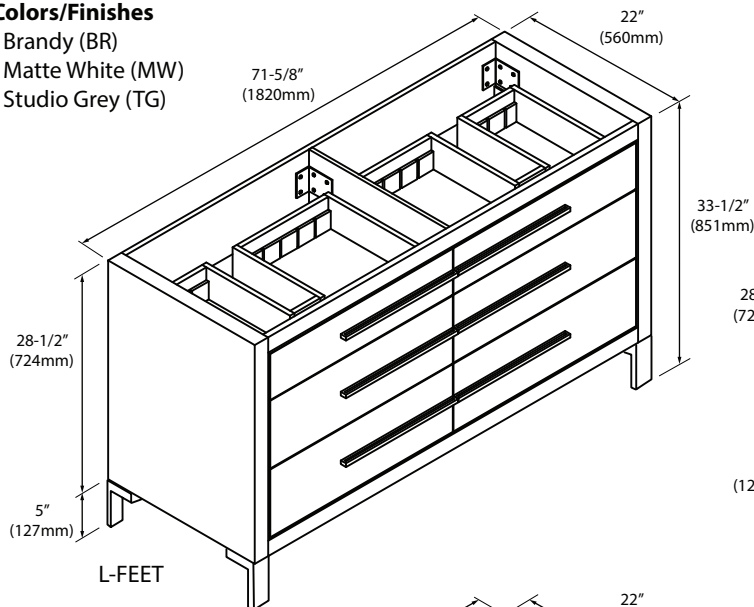
- Glass countertop with above-counter ceramic basin.
- Glossy White X-Stone 2"H top/basin
- Glossy White X-Stone 4-1/2" H Trough sink
- X-Stone 3/4"H countertop no holes. To be field drilled.
- X-Stone 3/4"H countertop with above-counter ceramic basin
- Quartzstone 3"H countertop with undermount ceramic basin

Package Dimensions

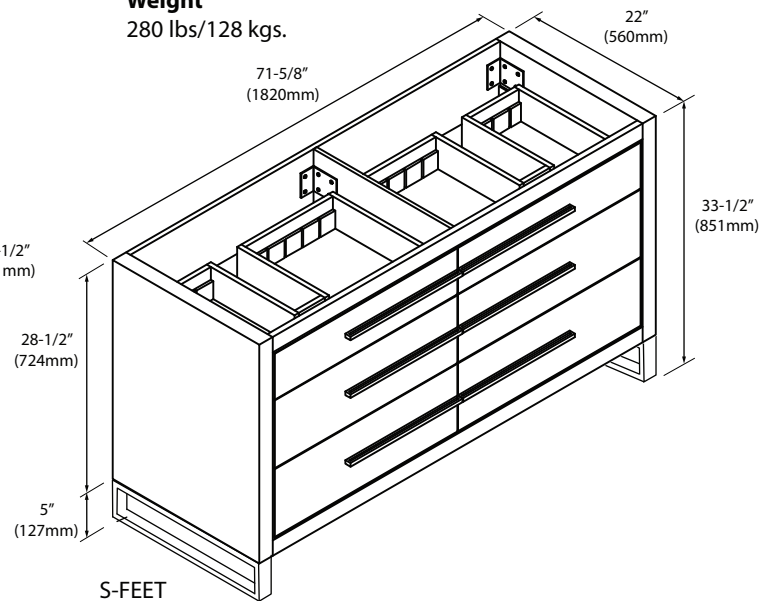
76" x 26" x 36"

Weight

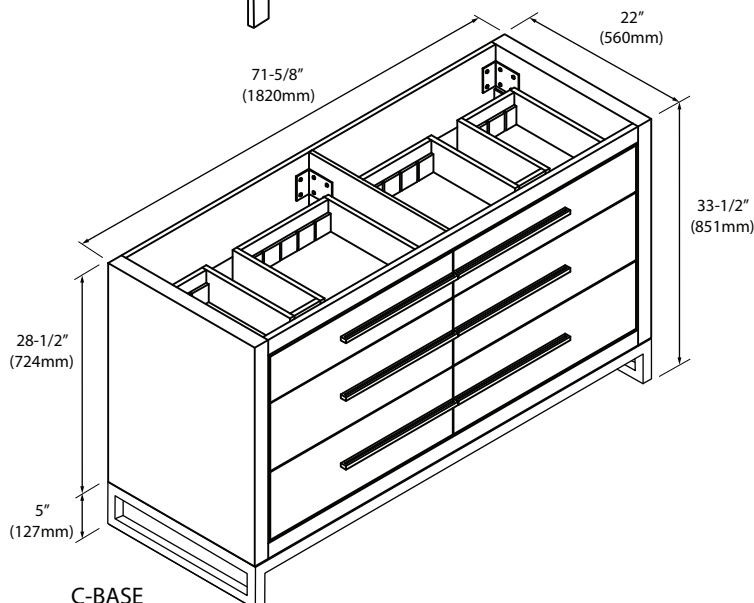
280 lbs/128 kgs.



L-FEET



S-FEET



C-BASE



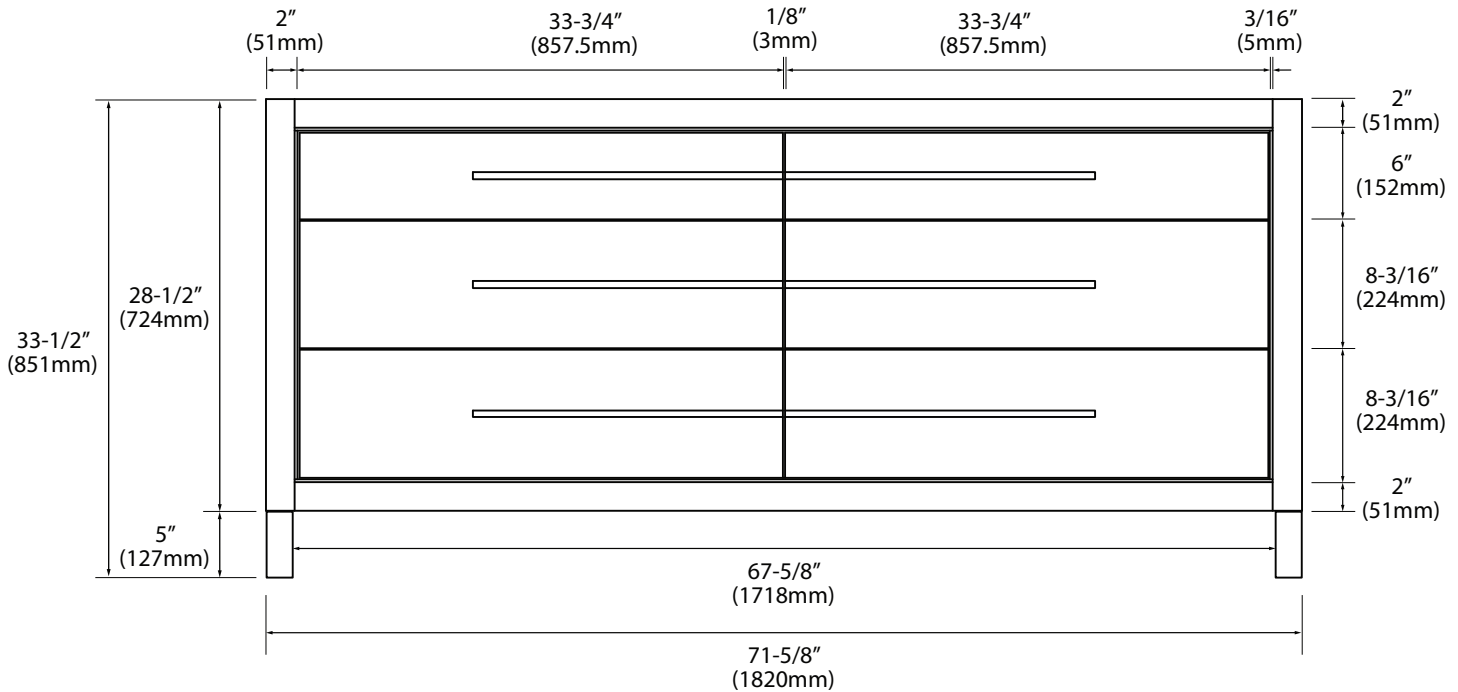
For clarification, please contact Madeli Customer Care at (800)-819-6988 or (305)-718-8817 Ext. 1 or service@madeli.com

All dimensions are approximate and subject to standard tolerance. Specifications subject to change without prior notice.

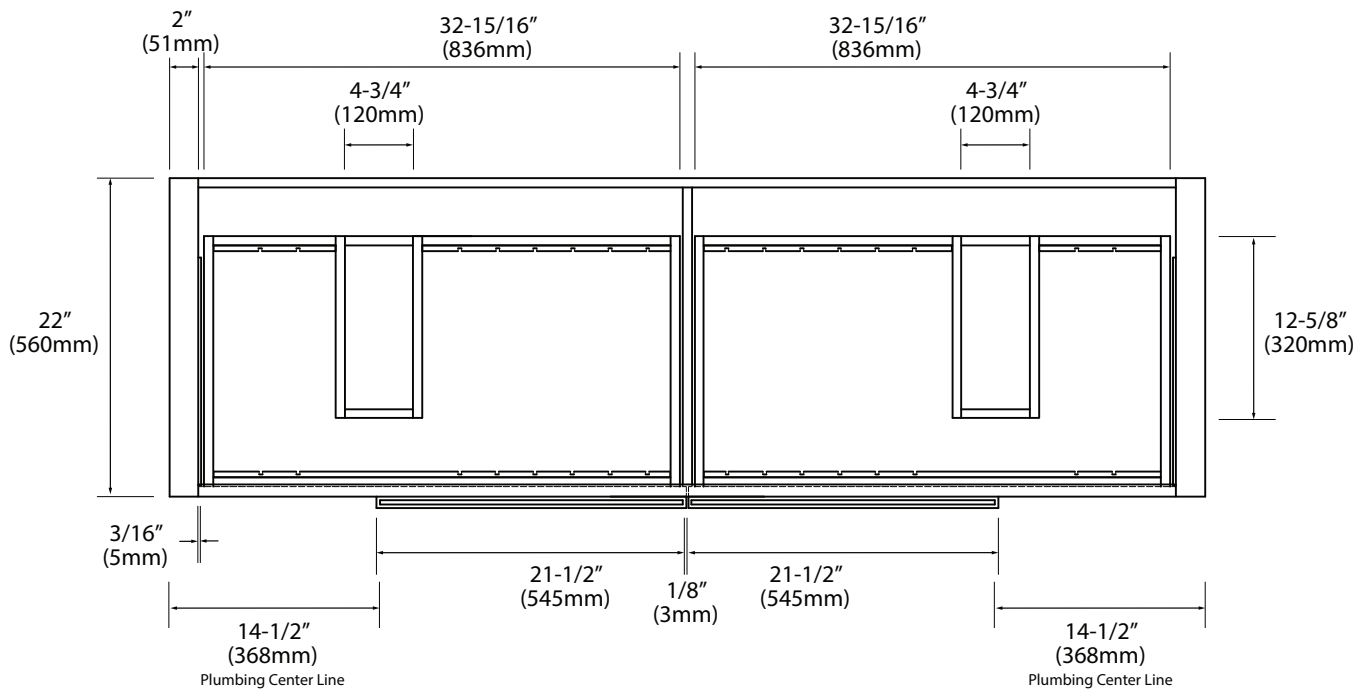
Estate - 72D

Specification & Installation Guide

FRONT VIEW



TOP VIEW

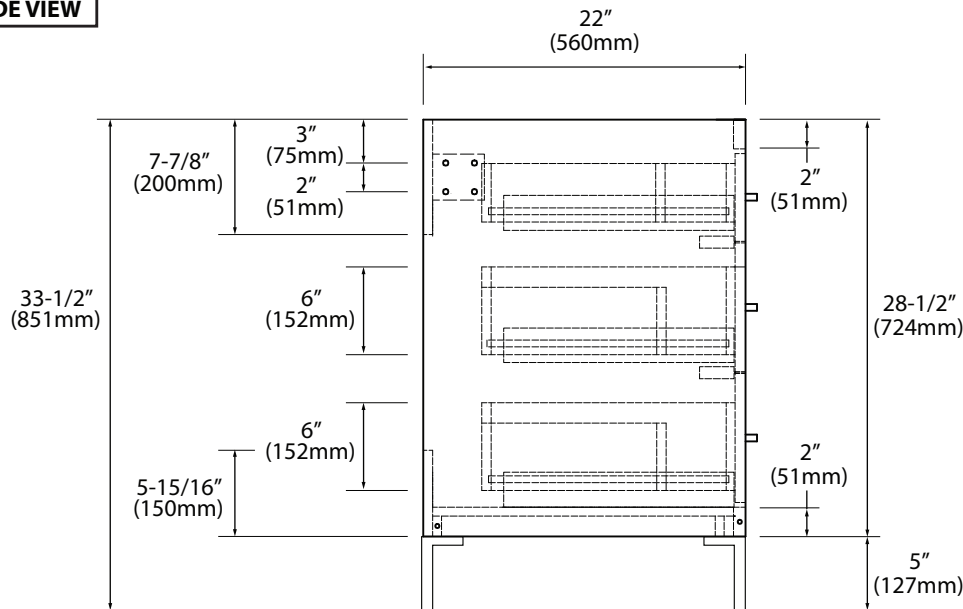


For clarification, please contact Madeli Customer Care at (800)-819-6988 or (305)-718-8817 Ext. 1 or service@madeli.com
All dimensions are approximate and subject to standard tolerance. Specifications subject to change without prior notice.

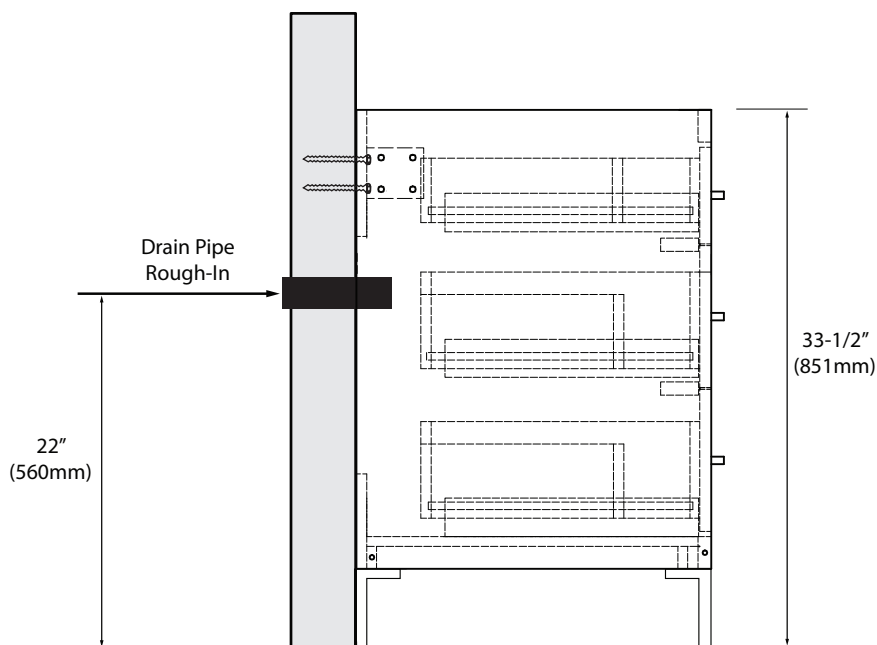
Estate - 72D

Specification & Installation Guide

SIDE VIEW



ROUGH-IN DIMENSIONS



Estate - 72D

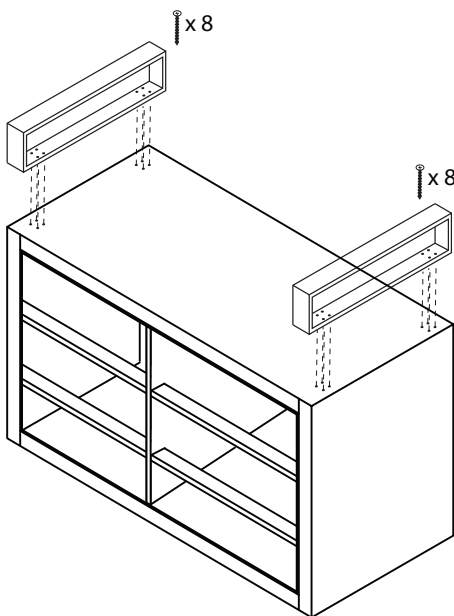
Specification & Installation Guide

INSTALLATION INSTRUCTIONS

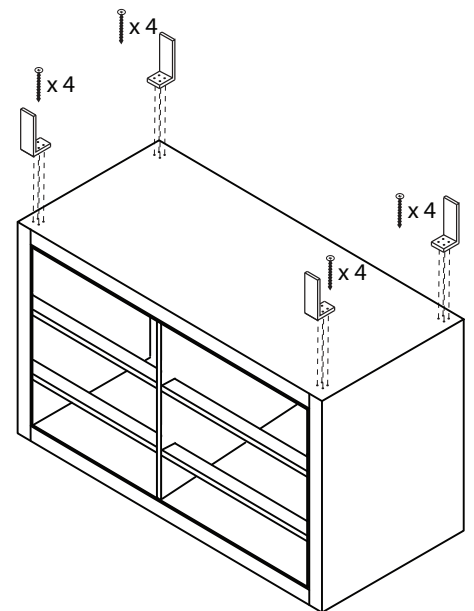
1. Feet/Base Installation

1. Remove drawers and place vanity upside down
2. Place feet in indicated positions
3. Mark screw locations
4. Pre-drill holes with 5/64, 3/32 or 7/64 drill bit about 1 1/2" deep
5. **DO NOT OVER TIGHTEN THE SCREWS. DOING SO WILL SPLIT THE WOOD SIDE PANEL**
6. If using a regular battery drill, set clutch to minimum and increase setting as needed
7. **DO NOT USE AN IMPACT DRILL. IT WILL SPLIT THE WOOD SIDE PANEL**

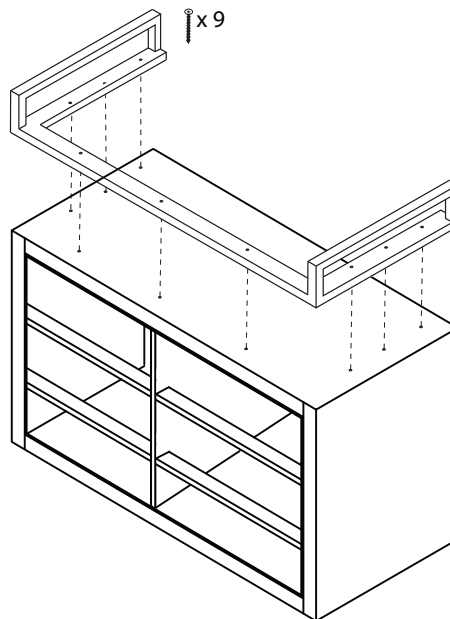
S-FEET



L-FEET

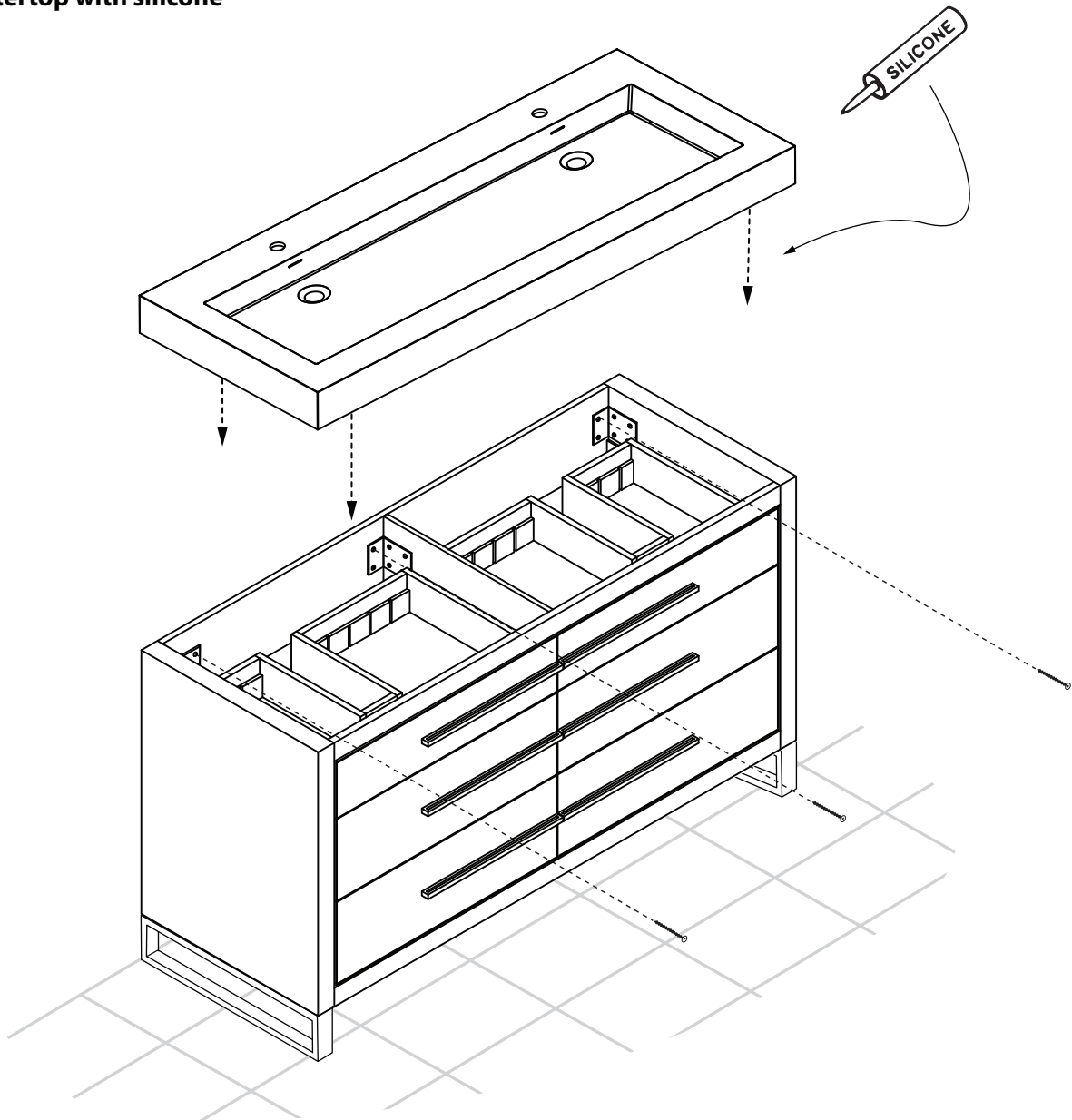


C-BASE



CABINET PLACEMENT & INSTALLATION - SECURE CABINET TO WALL

- 1) Level cabinet in position
- 2) Secure cabinet with screws in drywall studs
- 3) Install countertop with silicone



For clarification, please contact Madeli Customer Care at (800)-819-6988 or (305)-718-8817 Ext. 1 or service@madeli.com
All dimensions are approximate and subject to standard tolerance. Specifications subject to change without prior notice.