

Above Counter Oval Ceramic Basin

Specification & Installation Guide

FEATURES

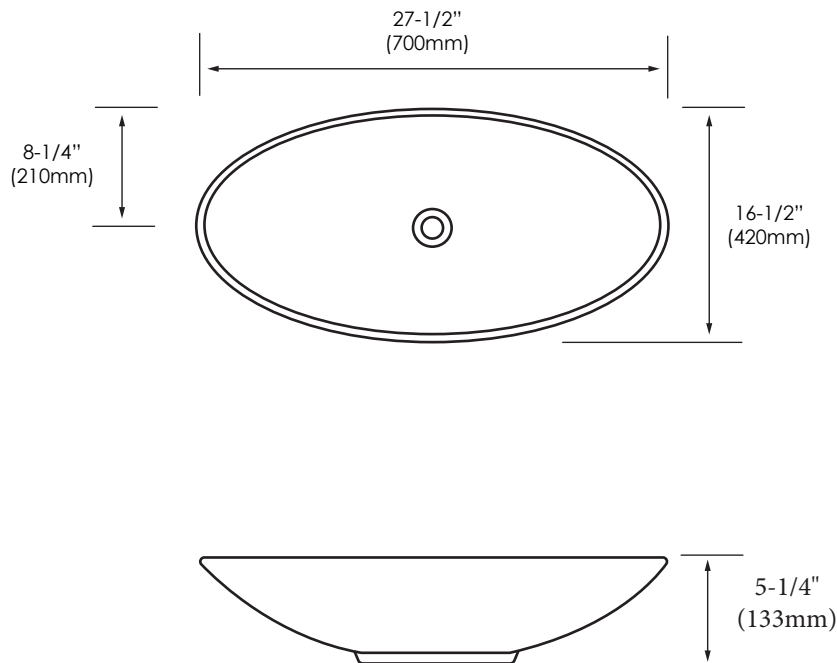
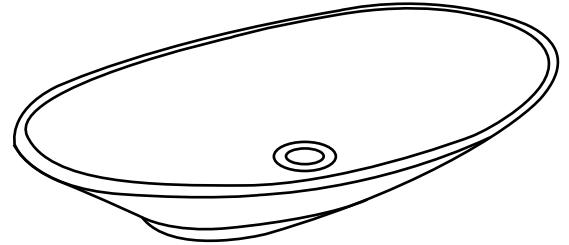
- Design: Oval / Contemporary
- Material: Vitreous China
- Type: Above Counter
- Overflow: No
- Size: 27-1/2"(700 mm)L x 16-1/2"(420mm)W x 5-1/4"(133mm)H
- Basin inside depth: 5-1/4" (133mm)
- Drain hole: Diameter 1-3/4" (45 mm)
- Drain hole: Yes Above counter installation
- Packaging Dimensions: 29"(737mm) x 18"(457mm) x 6" (152mm)
- Weight: 26 lbs. / 12 kgs.

FINISHES

White

COMPLIANCE

CSA B45.5-11/IAPMO Z124-11



For clarification, please contact Madeli Customer Care at (800)-819-6988 or (305)-718-8817 Ext. 1
All dimensions are approximate and subject to standard tolerance. Specifications subject to change without prior notice.