

SVANGE 6042DLLR Wall Mirror - Specification Sheet



Features

- Dimmable LED task lighting
- Integrated touch sensor control with memory
- Energy efficient LED lighting 6000K
- 8200 Lumens
- CRI 90+
- Integrated Defogger

Construction

- Quality polished edge mirror
- Single phase wire installation
- 5 MM Silver Backed Copper Free
- Installation Either Surface Mount
- (Side Mirror Trim Panels included) or Recessed
- Includes installation hardware



Codes/Standards Applicable

- Conforms to UL Std. 962
- Cert. to CSA Std. C22.2 No.250.0-08
- ETL Intertek 5004931

Electrical System

- 120Vac, 60Hz, 55W
- Electric Current: 0.45A
- Wattage: 55W

Model

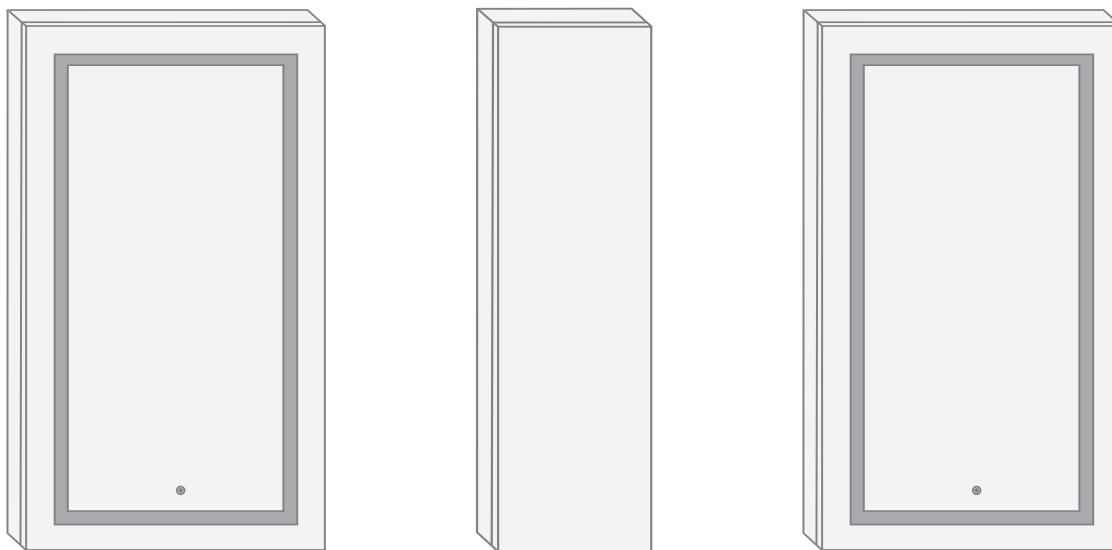
- SVANGE 6042DLLR Swinging Doors
- Included models in this configuration:
Cabinet 1=2442L Cabinet 2=2442R
Cabinet 3=1242L

Electrical System

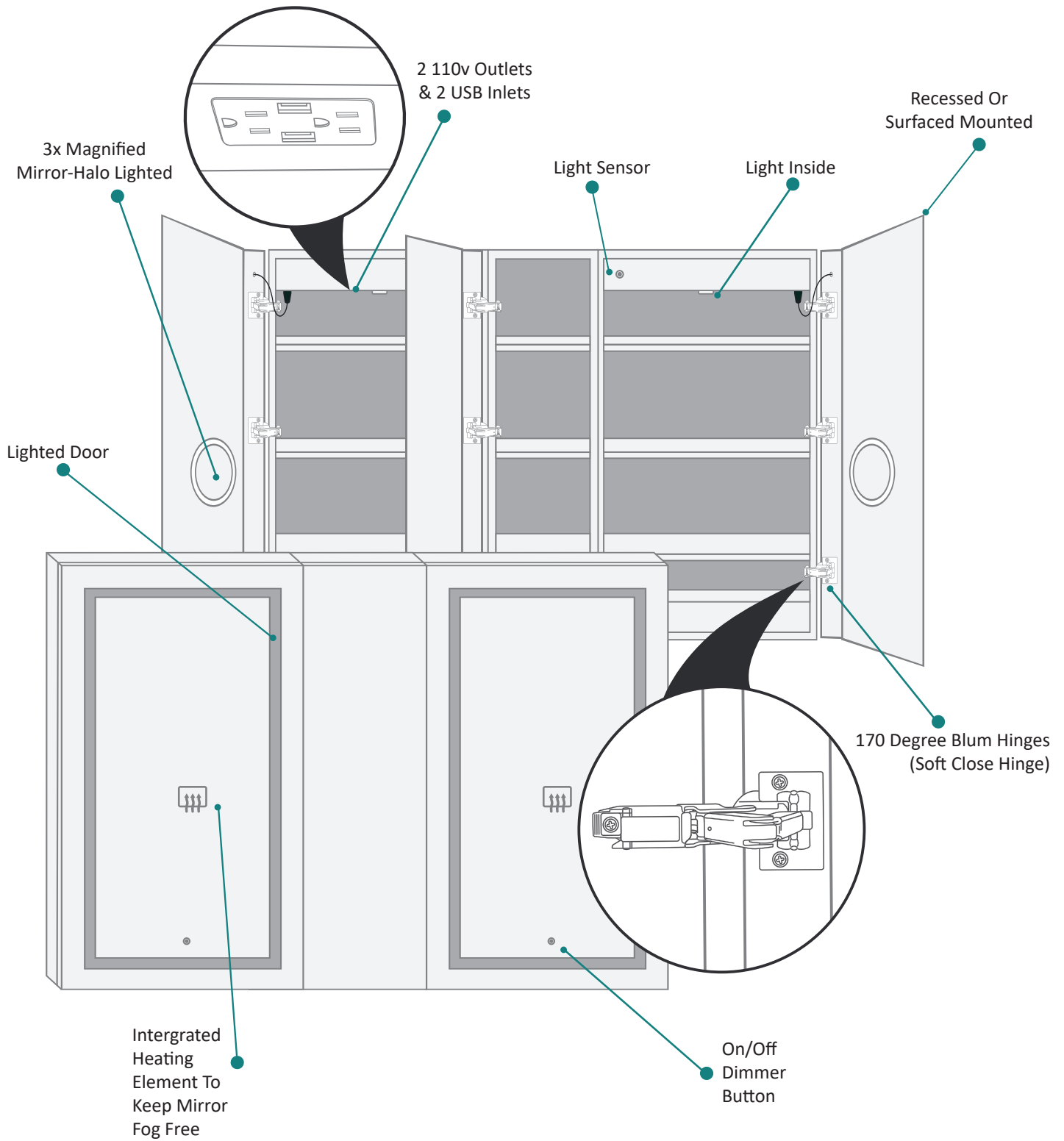
- Performance Requirements: Contains the required
- Supervisory Circuit with the Auto-Monitoring Function as noted by UL 1310
- Input Voltage: Min 112Vac, Nom 125Vac, Max 137Vac
- Frequency:60Hz
- Front Receptacle Current: 102-132Vac Nominal 15A
- USB Output Current:5VDC Nominal 4A

CABINET CONFIGURATION

- Included models in this configuration:
Cabinet 1 = 2442L Cabinet 2=2442R Cabinet 3=1242L



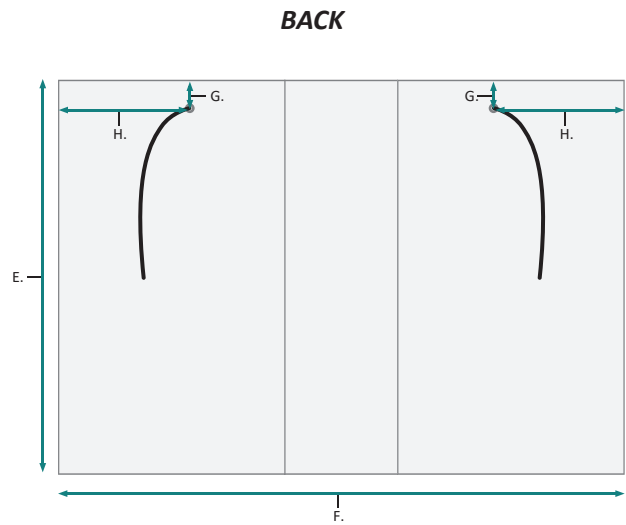
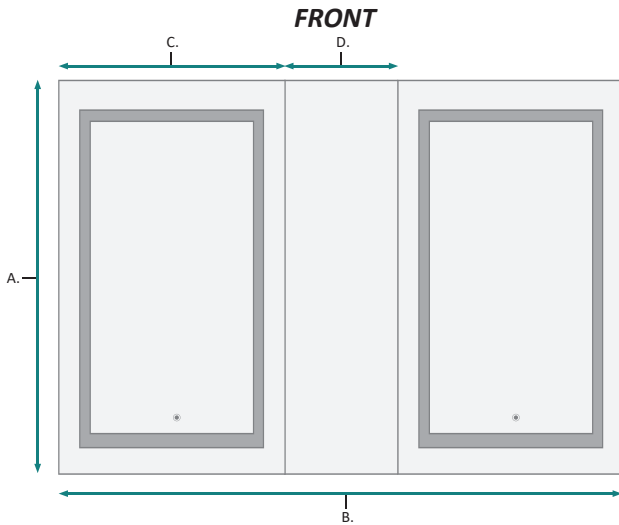
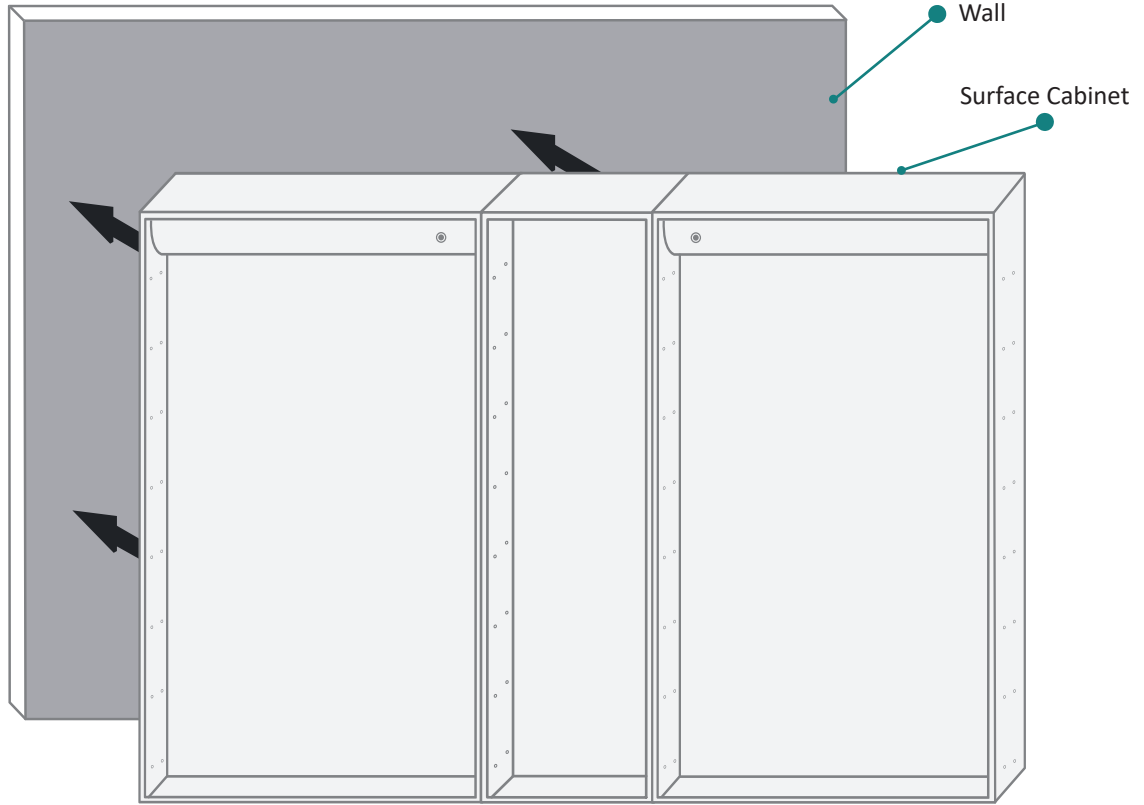
SVANGE 6042DLLR Wall Mirror - Specification Sheet



SVANGE 6042DLLR Wall Mirror - Specification Sheet



SURFACE MOUNT



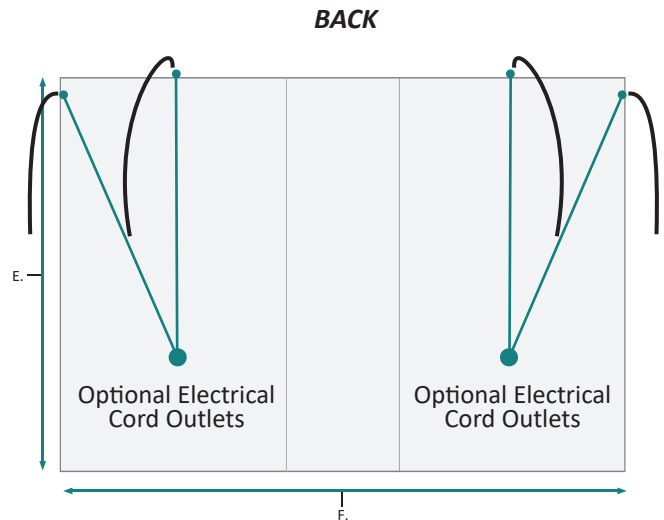
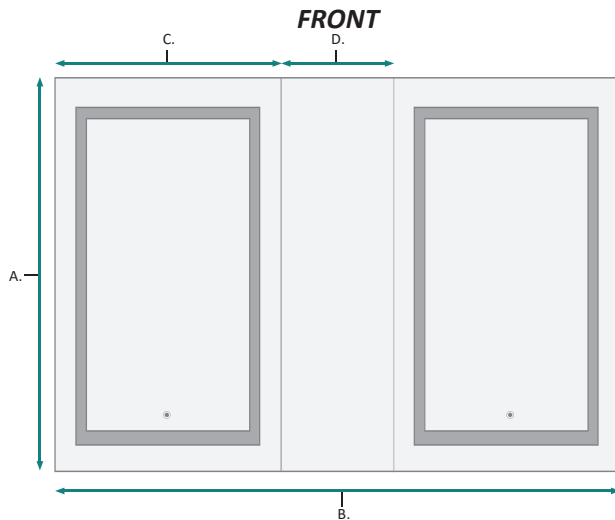
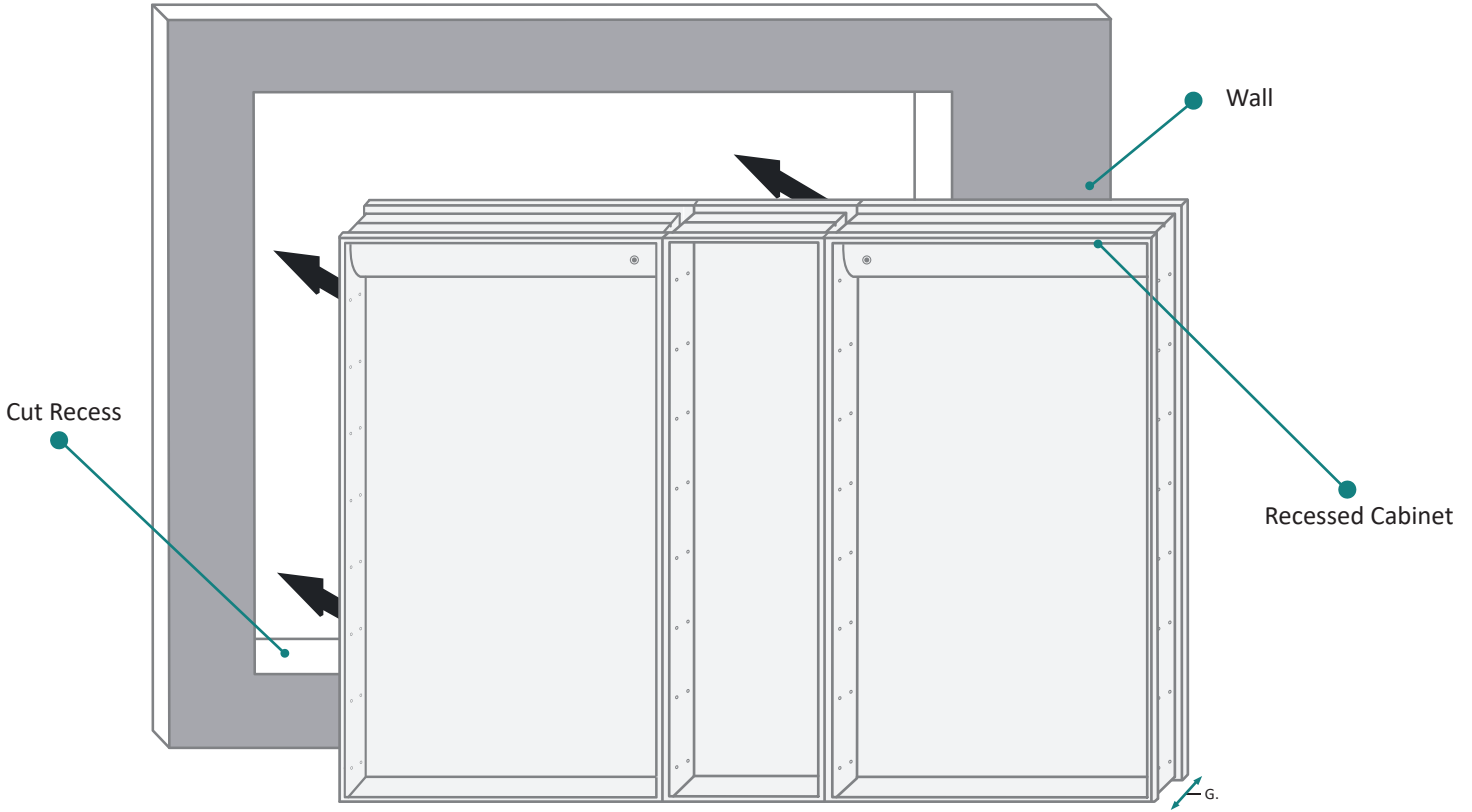
FRONT & BACKS

MODEL	A	B	C	D	E	F	G	H
SVANGE6042DLLR	42	60	24	12	41-1/8	59-1/8	1-1/8	12

These measurements are for reference, for best results we suggest you measure actual product as small variations in size are possible

SVANGE 6042DLLR Wall Mirror - Specification Sheet

RECESSED MOUNT

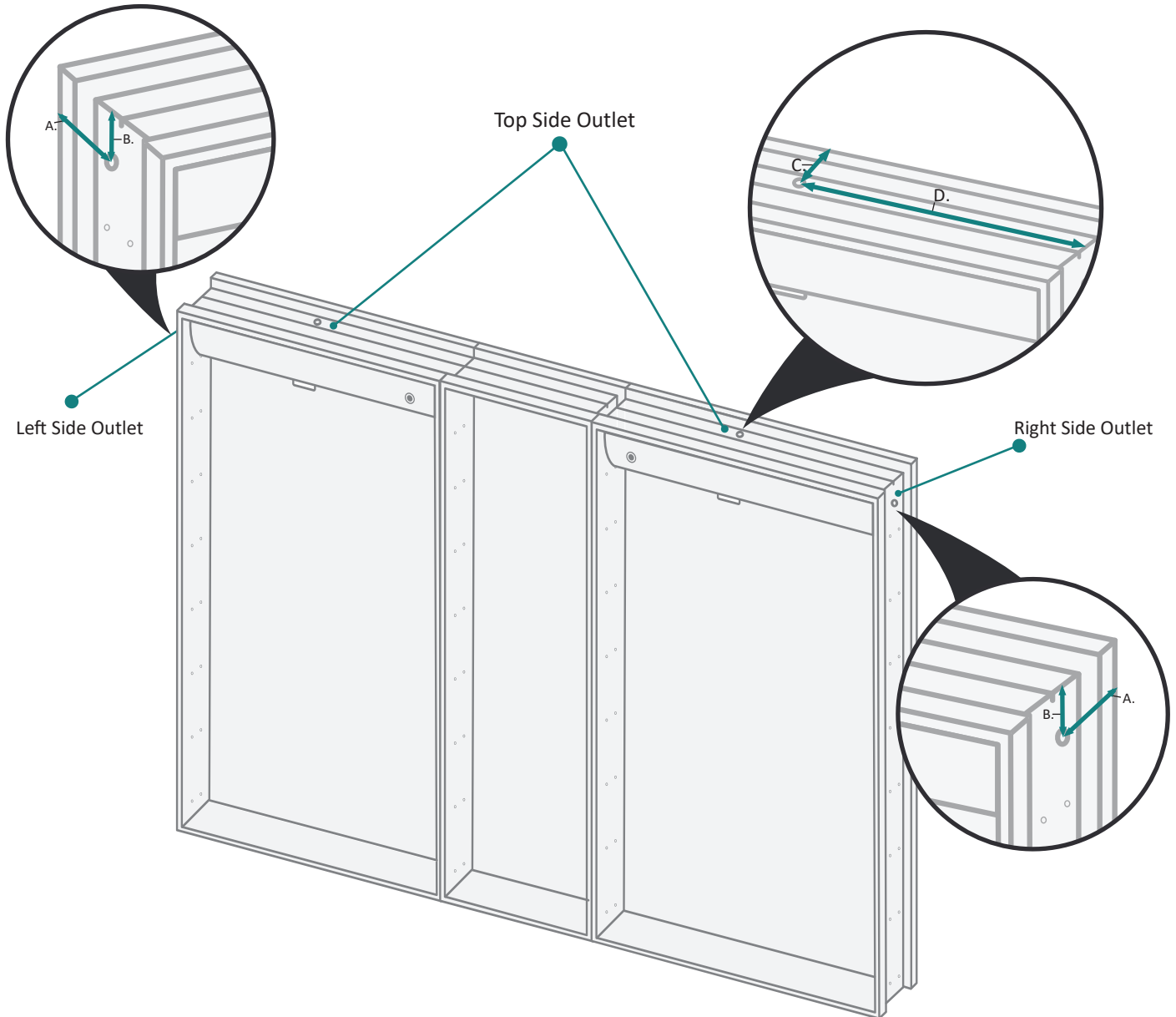


FRONT & BACKS

MODEL	A	B	C	D	E	F	G
SVANGE6042DLLR	42	60	24	12	41-1/8	59-1/8	3-1/2

These measurements are for reference, for best results we suggest you measure actual product as small variations in size are possible

RECESS INSTALLATION OPTIONAL ELECTRICAL CORD LOCATIONS

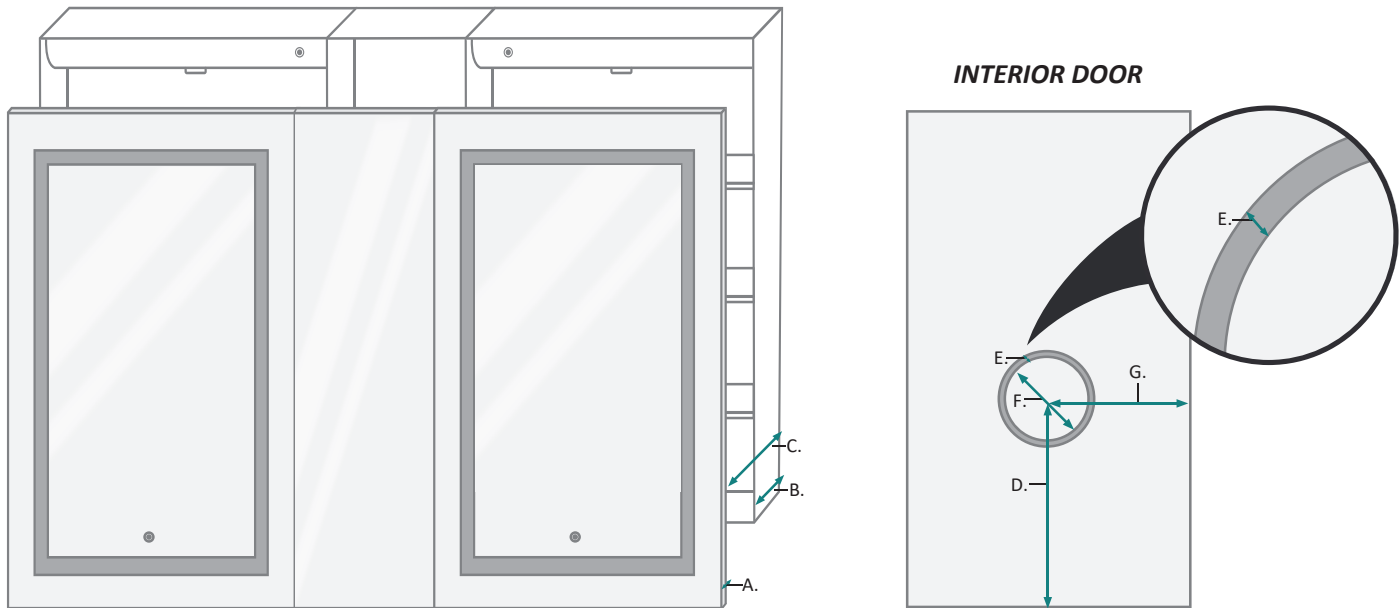


ELECTRICAL CORD LOCATIONS

MODEL	A	B	C	D
SVANGE6042DLLR	1-1/8	1-1/8	1-1-8	12

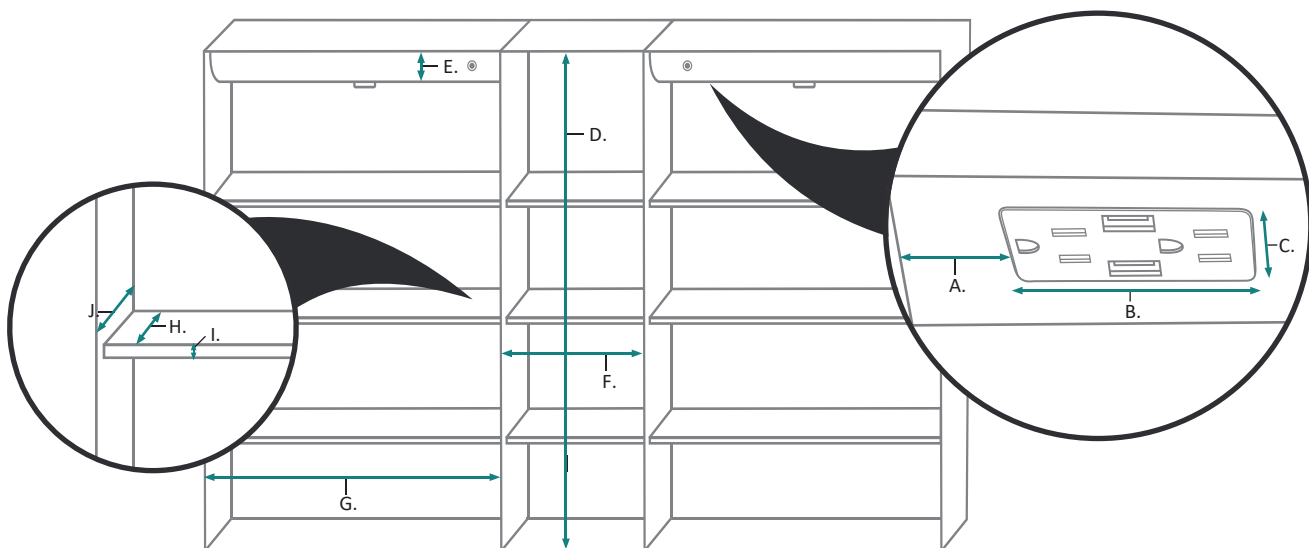
These measurements are for reference, for best results we suggest you measure actual product as small variations in size are possible

SVANGE 6042DLLR Wall Mirror - Specification Sheet



DOOR & CABINET

MODEL	A	B	C	D	E	F	G
SVANGE6042DLLR	7/8	3-1/2	5	18	3/8	5-1/4	12



INTERIOR CABINET

MODEL	A	B	C	D	E	F	G	H	I	J
SVANGE6042DLLR	3-3/4	5-5/8	1-1/4	38	2-1/4	10-1/4	22-1/4	2-3/8	3/8	3-5/8

These measurements are for reference, for best results we suggest you measure actual product as small variations in size are possible