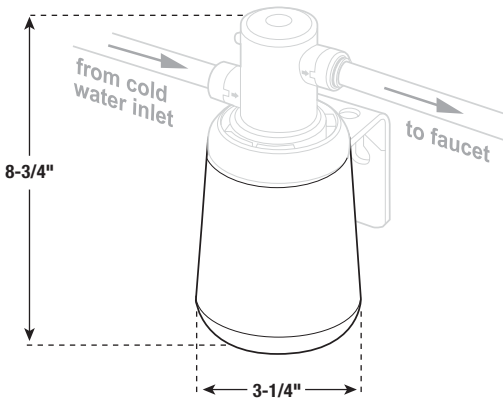




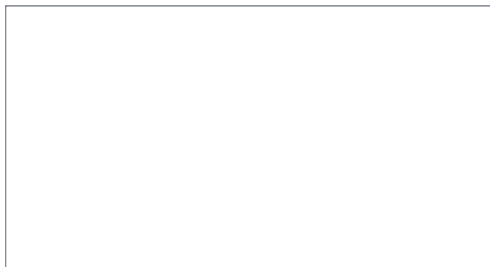
# The Next Necessity™



## Dimensions



## Job Specifications



# Instant Hot Water Dispensers

## Model

# F-201R Replacement Filter

For cleaner, fresher-tasting water

## Submittal Sheet

- Includes 2 replacement filters for use with InSinkErator water filtration system
- Reduces Chlorine, taste and odor for clean, refreshing taste
- Sanitary, quick-change filter cartridge makes replacement easy. A simple twist is all it takes!
- 6 month recommended filter cartridge replacement

## Specifications

Filter Capacity	500 gallons
Temperature Range	Incoming cold water supply line can be from 33°F to 100°F (1°C to 38°C). Connect to cold water supply line only.
Pressure	30-125 psi
Flow Rate	0.75 gpm
Shipping Weight	Approximately 2.0 lbs.

**F-201R Chemical & Mechanical Reduction Filter Specifications:** This cartridge provides mechanical and chemical reduction of dirt/rust, chlorine taste and odor, and particulates.



Tested and Certified by NSF International for use in the F-201 system against NSF/ANSI Standard 42 for the reduction of Chlorine taste and odor and Nominal Particulate Class I.

Pressure: 30-125 psi  
Temperature: 33°F - 100°F  
Flow Rate: 0.75 gpm  
Capacity: 500 gallons

### REPLACEMENT ELEMENT

**Filter Capacity:** 500 gallons, depending on local water conditions. Note that while the testing was performed under standard laboratory conditions, actual performance may vary. Do not use with water that is microbiologically unsafe or of unknown quality without adequate disinfection before or after the system. For cold water use only. Systems must be installed and operated in accordance with the Manufacturer's recommended procedures and guidelines. See warranty card for warranty. For service and parts, contact your local dealer or InSinkErator® directly at 1-800-558-5700.

Contaminant Reduction	Average Influent ppm	Influent Challenge Concentration, Except As Noted, Units Apply to Each Row.	Avg. Product Water ppm	Average % Reduction	NSF Red. Requirements	NSF Test
Chlorine, Taste and Odor	2.1	2.0 mg/L ± 10%	0.07	96.6	> 50%	516345-05
Nominal Particulate Class I Particle Size = 0.5 to 1 um	12666667	At least 10,000 particles/ml	790666	93.7	> 85%	J-00025192

**Application guidelines/Water Supply Parameters for NSF Testing:** Service flow of 0.75 gpm, community or private well water supply, water pressure of 20-120 psi, water temperature of 33°F-100°F. Except as noted, all testing performed at pH = 7.5 ± 0.5, Flow: 0.75 gpm, Pressure: 60 psi, Temp: 20° ± 3°C.

Contact an authorized InSinkErator service agent for repairs or replacement components.

USA  
1-800-558-5700  
www.insinkerator.com

Canada  
1-800-561-1700  
www.insinkerator.ca

Printed in USA



**EMERSON**  
Commercial & Residential Solutions

The Emerson logo is a trademark and a service mark of Emerson Electric Co. InSinkErator may make improvements and/or changes in the specifications at any time, in its sole discretion, without notice or obligation and further reserves the right to change or discontinue models.

©2012 InSinkErator, a business unit of Emerson Electric Co. All Rights Reserved.