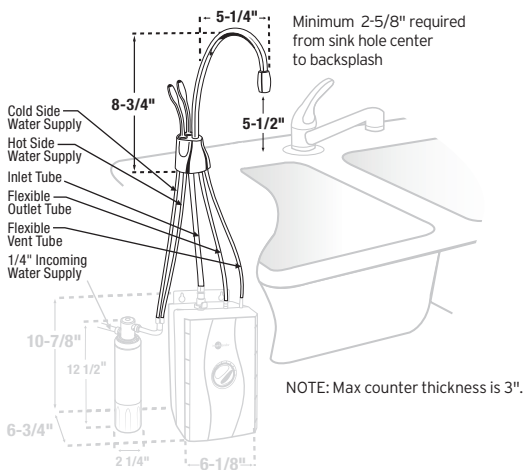




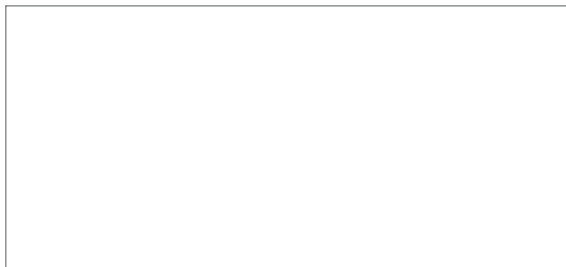
The Next Necessity™



Dimensions



Job Specifications



Instant Hot Water Dispensers



F-HC1100

Our finest line of instant hot water dispensers for use with our Hot Water Tank for filtered near-boiling 200°F and cool drinking water

Tank with filter sold separately (HWT-F1000S)

Submittal Sheet

- **Hot & Cool** - Dispenses near-boiling 200°F water and cool drinking water
- Graceful high-arching spout swivels for greater convenience and stylish integrated levers provides a dramatic look
- Hot lever automatically shuts off, while Stay-On™ cool lever remains on for easy use
- Durable all brass faucet construction
- *We Come To You*® 5-Year In-Home Limited Warranty*
- For use with InSinkErator Hot Water Tank and F-1000S Filtration System
- **Available in these designer finishes:** white, biscuit, French gold, satin nickel, polished nickel, chrome, brushed chrome, mocha bronze, oil rubbed bronze, matte black, gloss black, classic oil-rubbed bronze and brushed bronze
- Unit not for commercial/industrial use

Specifications

| | |
|------------------------|------------------------------------|
| Hot Valve | Instant, self-closing |
| Cold Valve | Manual return |
| Shipping Weight | Approximately 4.0 lbs. |
| Required Hole Diameter | 1-3/8" - 1-1/2" standard sink hole |

Water Filtration System Available

Sample Specification

Instant hot water dispenser(s) shall be InSinkErator Model F-HC1100 with 2/3-gallon hot water tank, adjustable temperature from 160°F to 210°F and instant, self-closing hot valve.

Warranty:

5-year parts and in-home service.

* The complete InSinkErator warranty is included in the Care & Use booklet packed with each unit.



USA
1-800-558-5700
www.insinkerator.com

Canada
1-800-558-5700
www.insinkerator.ca



The Emerson logo is a trademark and a service mark of Emerson Electric Co. InSinkErator may make improvements and/or changes in the specifications at any time, in its sole discretion, without notice or obligation and further reserves the right to change or discontinue models.

©2016 InSinkErator, InSinkErator® is a business unit of Emerson Electric Co. All Rights Reserved.