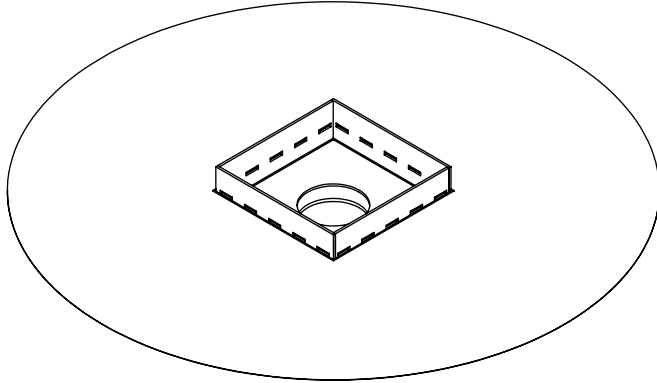


# FS 52 Specifications



## FS 52:

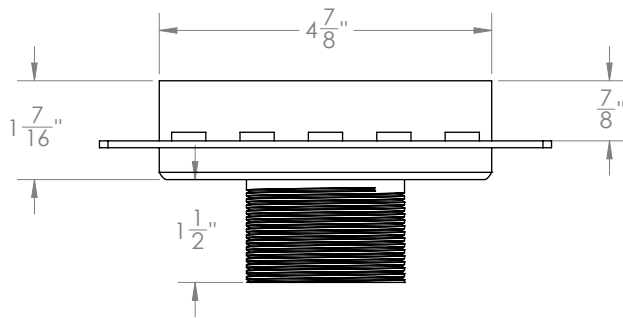
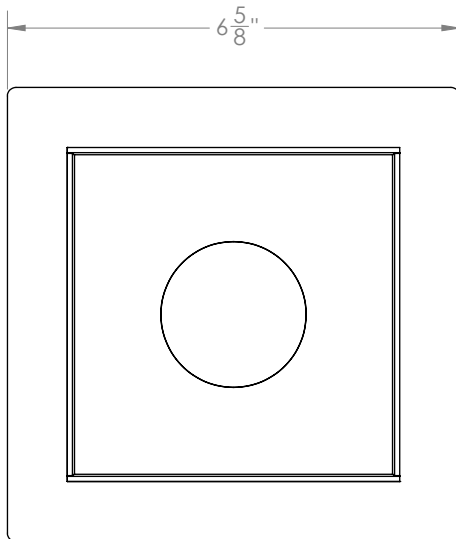
- 5" square throat with 2" outlet
- 12 gauge flange with Schluter®-KERDI pre-applied
- 16 gauge 304L Stainless Steel

## Kits:

- TDFS 5

## Finishes:

- Satin Stainless
- Polished Stainless
- Oil Rubbed Bronze
- Satin Bronze
- Matte Black



**Infinity Drain**  
145 Dixon Avenue  
Amityville, NY 11701  
Phone: 516.767.6786  
Fax: 516.740.3066  
www.infinitydrain.com



NOTE: Installer must verify all rough-in dimensions prior to installation and consult local and national codes. Conformity and compliance to local and national codes are the responsibility of the installer.