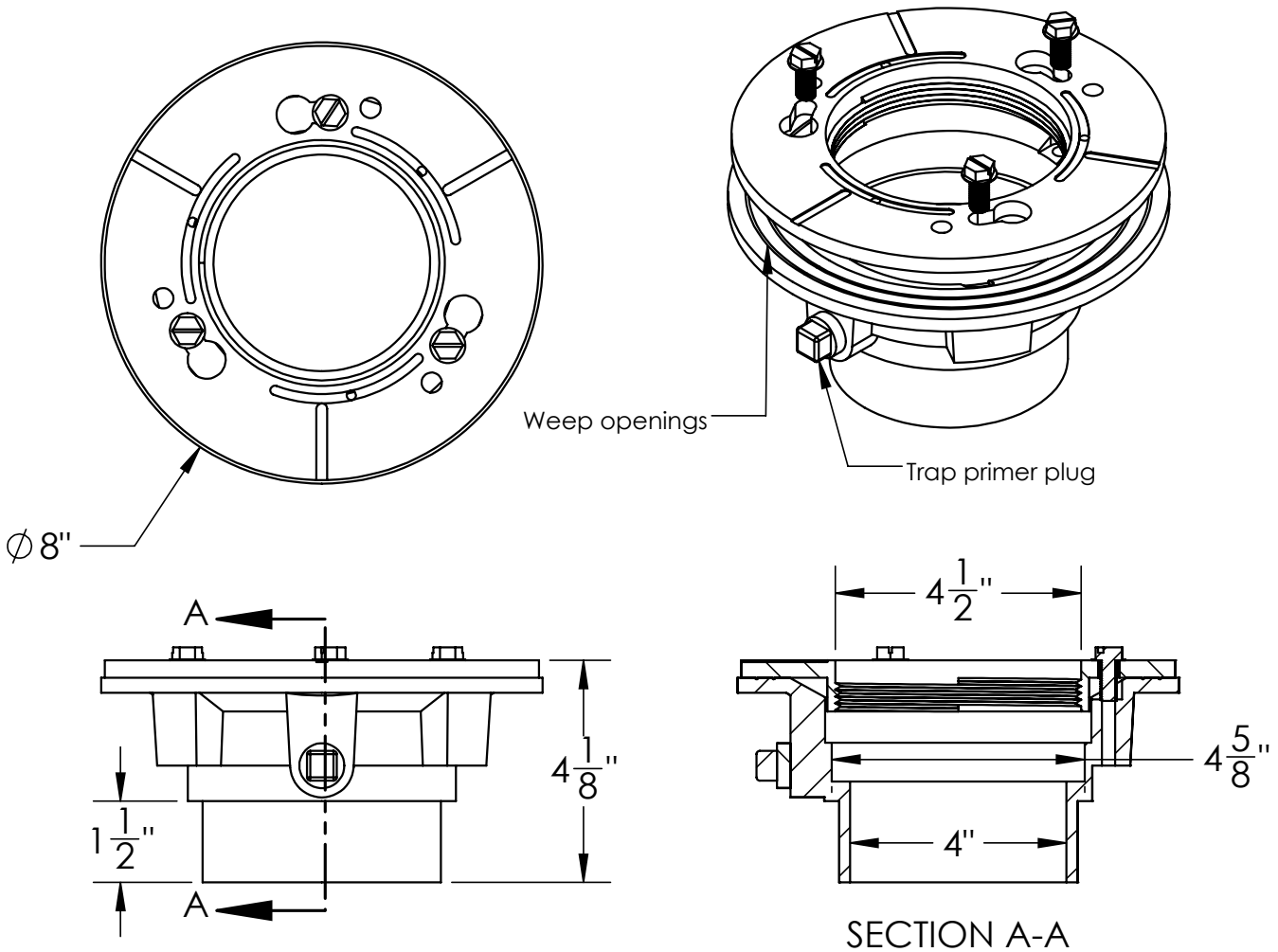


CDI 44 Specifications



CDI 44:

- Cast Iron Clamp Down Drain Body Assembly
- 4" Throat
- 4" No Hub Outlet
- NPT Trap primer plug
- Compatible with traditional waterproofing membranes



Infinity Drain
145 Dixon Avenue
Amityville, NY 11701
Phone: 516.767.6786
Fax: 516.740.3066
www.infinitydrain.com



NOTE: Installer must verify all rough-in dimensions prior to installation and consult local and national codes. Conformity and compliance to local and national codes are the responsibility of the installer.