

SOPHIA

DESIGNER COLLECTION

H | S

PVC SYSTEMS INCLUDE:

- Anti-vortex safety suction
- Color matched system trim
- HydroOzone ozone sanitation system
- Self draining pump and system
- Cable waste and overflow



With its smooth edges and classic European shape, the SOPHIA is the perfect choice to elevate any bathroom design. Visit <http://www.hydrosystem.com> for more details on our options and accessories.



OPTIONS

- Grab Bars
- Chromatherapy-LED Lighting System
- Chromatherapy-LED Mini Spotlights
- Microban Antibacterial Protection
- Extra high density fiberglass
- Thermal Air
 - 1 -20 AMP Dedicated GFI
 - Blower must be remotely located
- Tower
- Integral Waste and Overflow
- In-line heater
- Mood Light
- Hydro Fragrance
- Hydro Fusion
- Hydro Coat
- Hydro Express quick ship



HYDRO SYSTEMS
Family Owned And Operated Since 1978

29132 Avenue Paine, Valencia, CA, 91355
661.775.0686 | hydrosystem.com

* Indicates options that are shown (listed in order from top to bottom/ left to right)

SOPHIA

DESIGNER COLLECTION

H | S

AS SHOWN:

Acrylic Tub

FEATURES SHOWN:

- Tub Only

ALSO AVAILABLE:

- Soaking tub only
- Thermal Air

SIZE:

70.40.27

WATER CAPACITY:

110 Gallons

WEIGHT:

150 lbs. Tub Only

180 lbs. Thermal Air

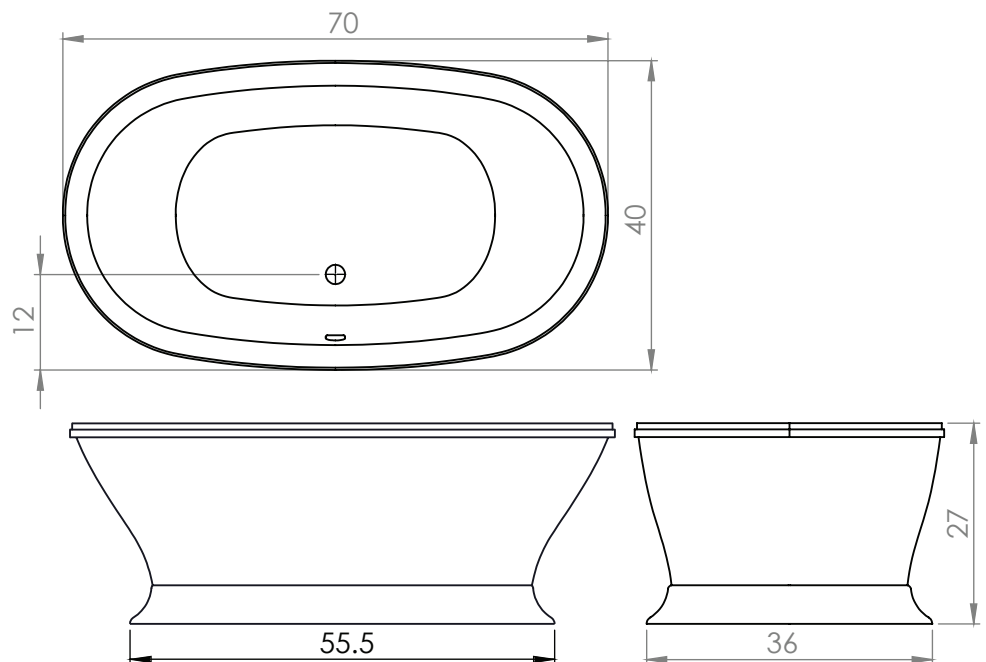
MODEL 7040 DIMENSIONS:

- (L)ength- 70"
- (W)idth- 40"
- (H)eight Finish- 27"



ACRYLIC TUB

- Acrylic models finished in 1/8" thick layer of deep lustrous acrylic
- Extra thick reinforced fiberglass
- Pre-wired pump on pump platform (standard pump location only)
- Integral E-Z level platform facilitates installation
- Non-skid bottom



CODES AND COMPLIANCES

Massachusetts code File no: P1-0614-491



HYDRO SYSTEMS
Family Owned And Operated Since 1978

29132 Avenue Paine, Valencia, CA, 91355
661.775.0686 | hydrosystem.com