

GUTHRIE

METRO COLLECTION



AVAILABLE SIZES

- 58.36.24

WATER CAPACITY

- 65 Gallons

WEIGHT

- 245 Pounds

BACK SLOPE

- 28°

MATERIAL

- Hydroluxe SS

STANDARD COLORS

- White, Almond, Biscuit

PREMIUM COLORS

- Black, Blue, Carbon, Gray, Espresso
Lime Green, Olive, Pink, Red
Royal Blue, Sky Blue, Violet, Yellow

FINISH

- Matte, Polished, Two-Tone

WARRANTY

- 10 years

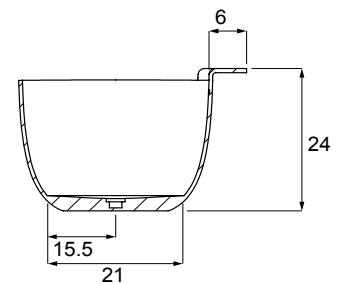
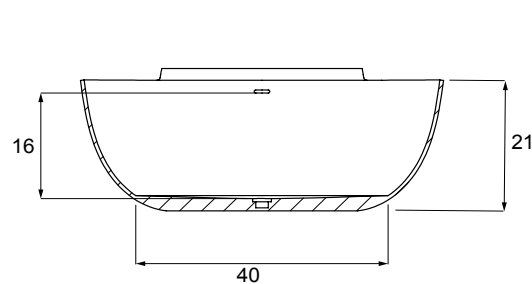
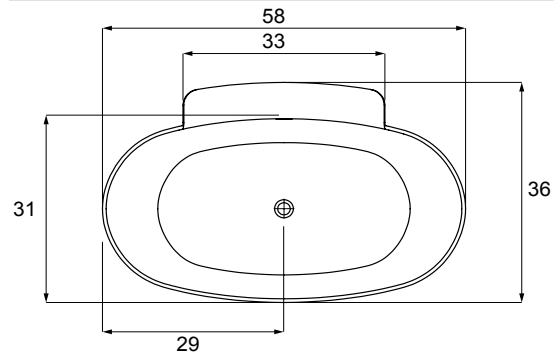


OPTIONS (MORE INFORMATION AVAILABLE ON OUR WEBSITE)

- Air System
 - Blower and Control Panel must be remotely located
 - Electrical Requirements one 15 AMP dedicated GFCI
- Remote Control for Air System
- Tower

INSTALLATION VIDEO AVAILABLE ON WEBSITE:

WWW.HYDROSYSTEM.COM/TECHNICAL-INFORMATION/VIDEOS/



CODES AND COMPLIANCES

Massachusetts code File no: P1-0614-491



HYDRO SYSTEMS
Family Owned And Operated Since 1978

29132 Avenue Paine, Valencia, CA, 91355
661.775.0686 | hydrosystem.com

All specifications and options subject to change without notice please contact a hydro systems representative for more information.