

BATHROOM
Pressure Balancing Shower
System - Tub and Shower
G-7280-LM46S

GRAFF®



Information

- 1/2" pressure balance valve with diverter and trim
- 8" showerhead with 12" wall-mounted shower arm
- Showerhead features no-clog, easy-clean spray nozzles
- 6" contemporary tub spout
- Optional extension kit
- Showerhead flow rate ≤ 1.8 max gpm
- ADA
- CALGreen

BATHROOM
Concealed Pressure Balancing
Valve Rough w/Diverter
G-7055

GRAFF®



Information

- Anti-scald protection
- 1/2" universal inlets/outlets with male threads
- Built-in service stops
- Push-button diverter
- For use with tub & shower configuration
- Supplied with protective plastic guard

Finishes



G-7055

1/2" Rough Valve w/Diverter



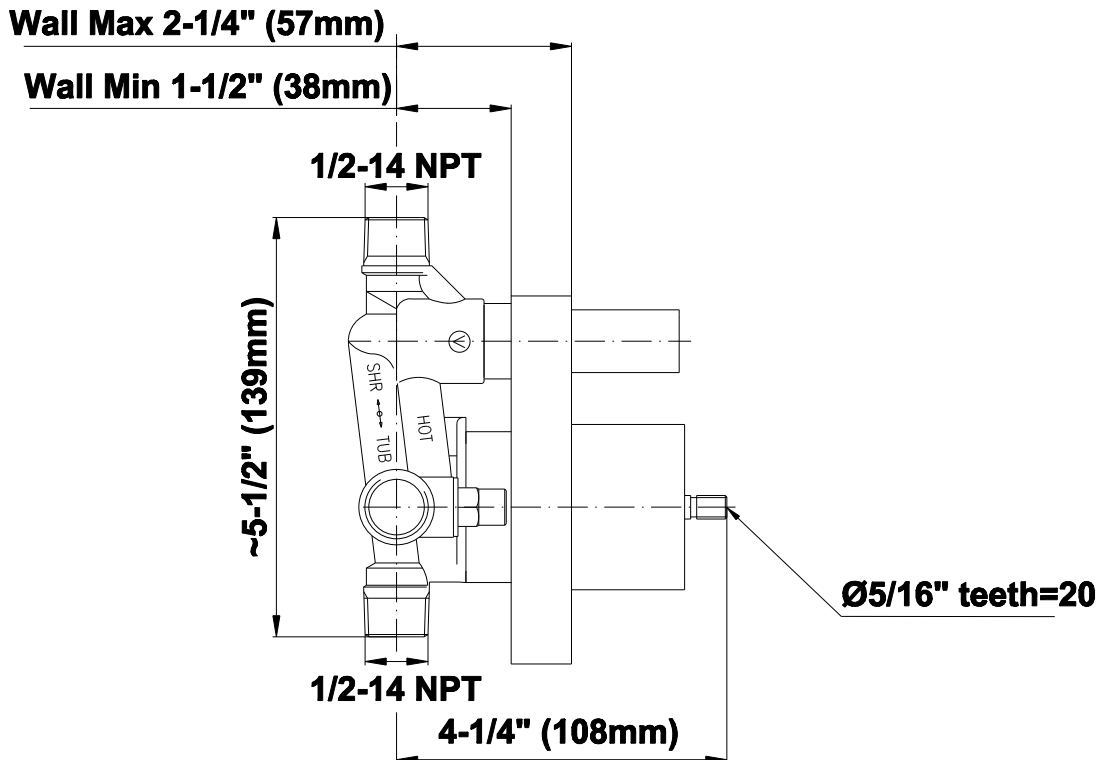
Product Features

- Anti-scald protection
- 1/2" universal inlets/outlets with male threads
- Built-in service stops
- Push-button diverter
- For use with tub & shower configuration
- Supplied with protective plastic guard

Warranty

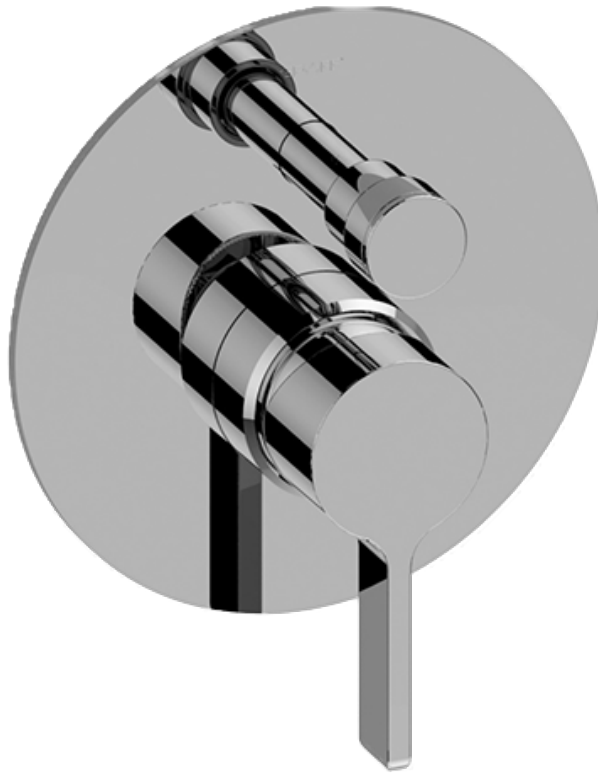
- Limited lifetime warranty

For complete warranty information go to www.graff-faucets.com/en-nam/warranty



BATHROOM
Terra Pressure Balancing Valve
Trim with Handle and Diverter
G-7080-LM46S-T

GRAFF®



Information

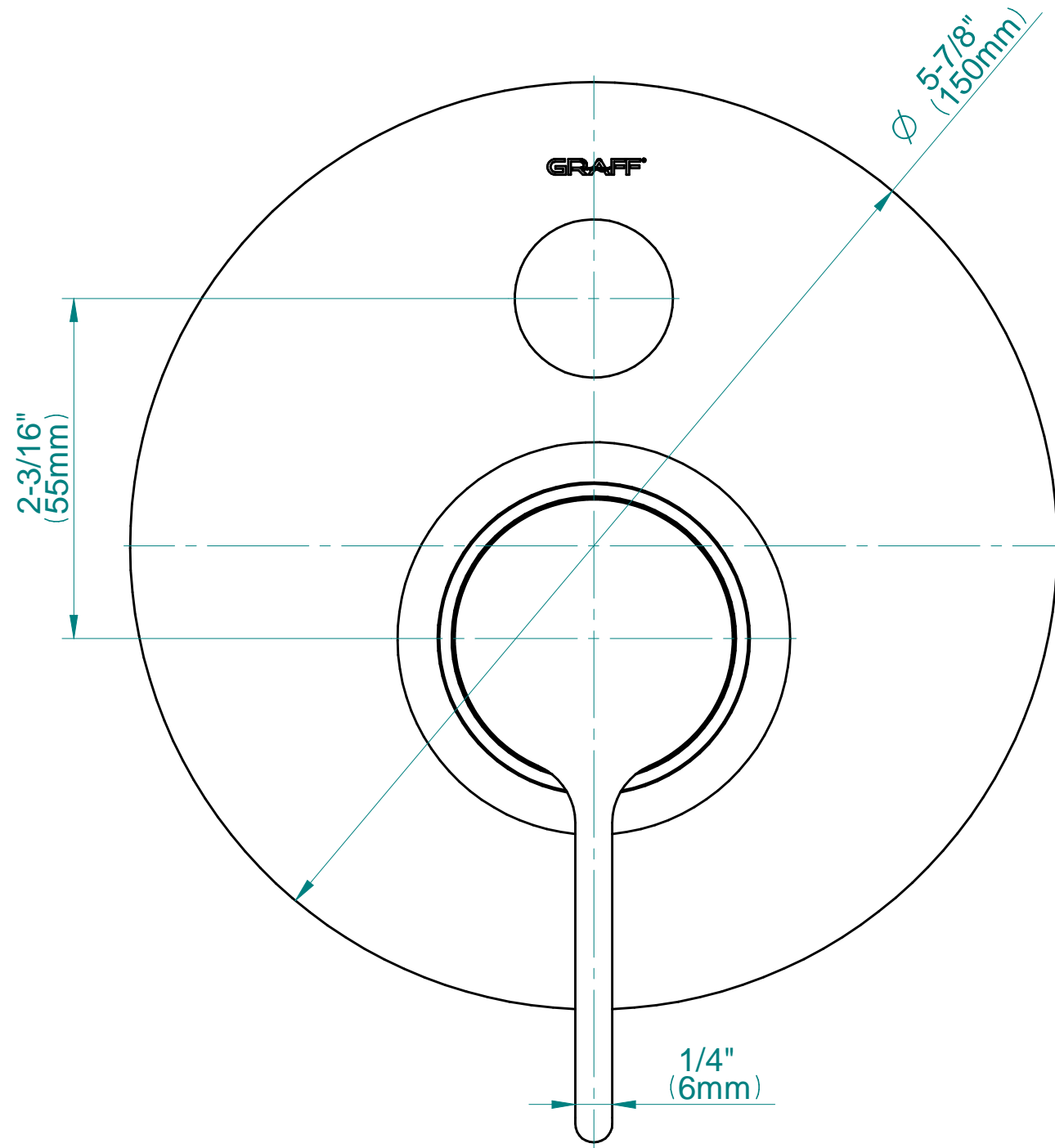
- Single metal handle
- Decorative trim plate
- Includes push-button diverter
- Use with G-7055 Pressure Balancing Rough Valve
- ADA

Finishes

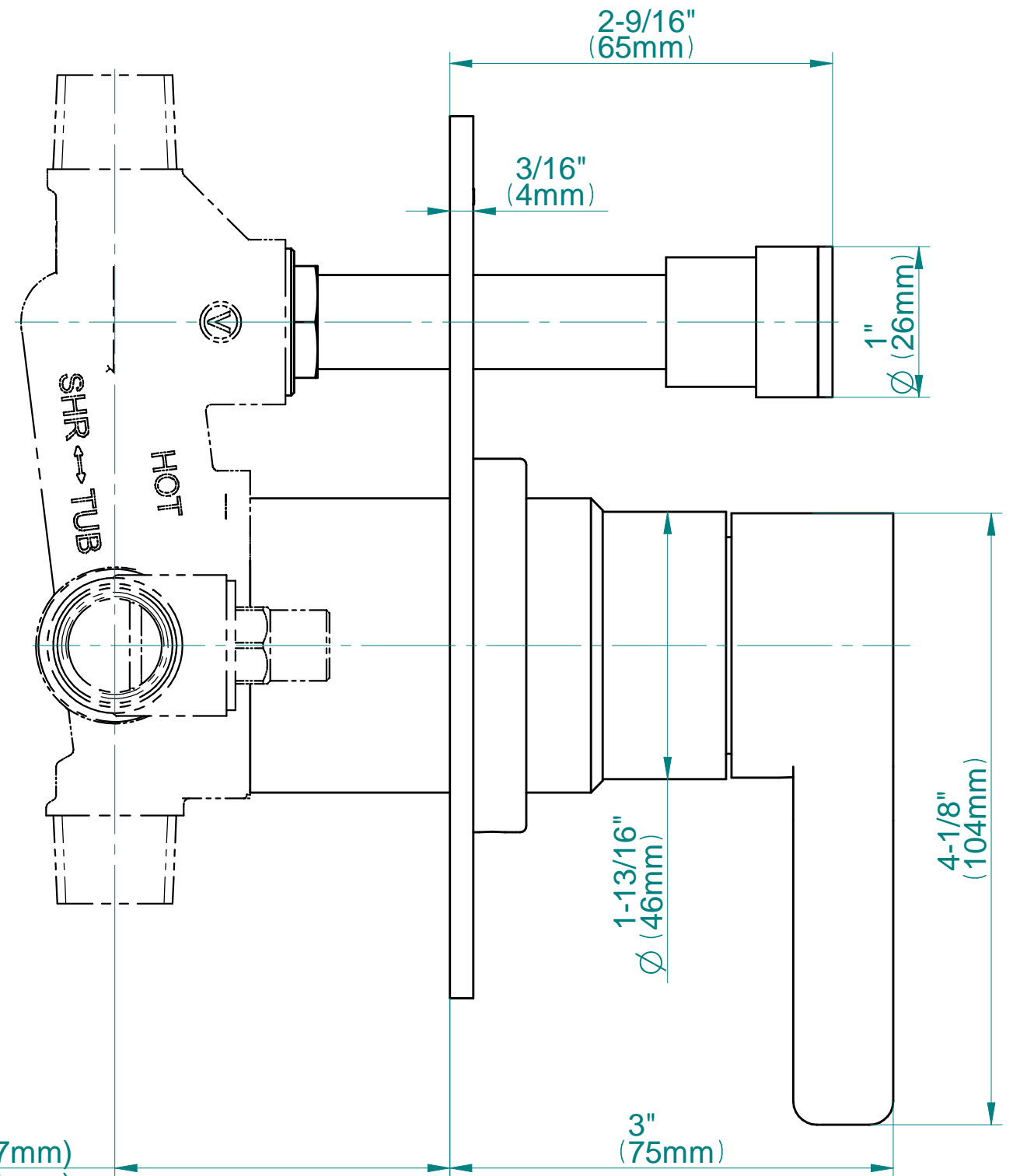


G-7080-LM46S

TERRA Series



Wall min 1-7/16" (37mm)
Wall max 2-1/4" (57 mm)





Information

- 1/4" thick
- 169 no-clog, easy-clean rubber spray nozzles
- Recommended use with ceiling shower arm
- Recommended for use at no more than 10 degrees tilt
- Showerhead flow rate ≤ 1.8 max gpm
- CALGreen

Finishes



G-8449

Aqua-Sense Collection
Contemporary 8" Round Showerhead

GRAFF[®]
CUTTING EDGE DESIGN

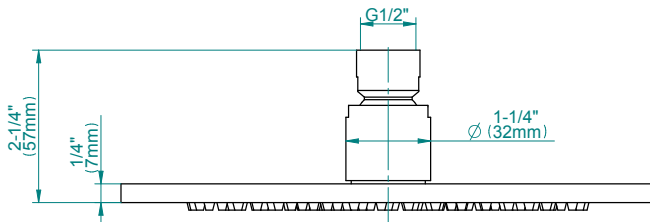
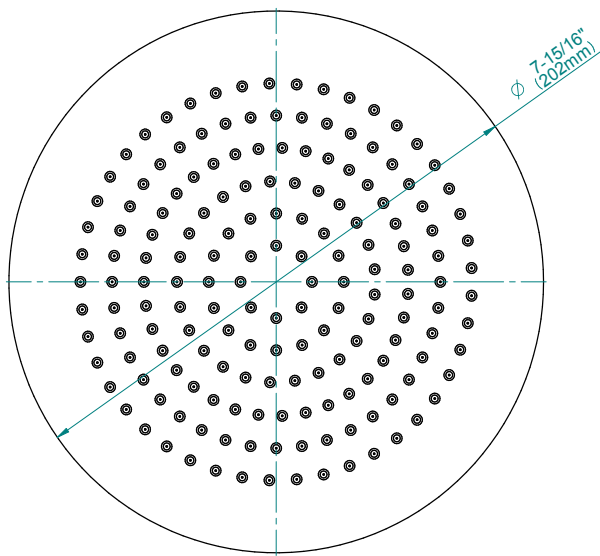
Product Features

- 1/4" thick
- 169 no-clog, easy-clean rubber spray nozzles
- Showerhead flow rate ≤ 1.8 max gpm

Available Finishes

- Polished Chrome
G-8449-PC
- Brushed Nickel
G-8449-PN
- Polished Nickel
G-8449-BNi
- Unfinished Brass*
G-8449-UB*
- Steinox
G-8449-SN
- Olive Brass*
G-8449-OB*
- Architectural Black with Chrome Accents*
G-8449-PC/BK*
- Brushed Gold*
G-8449-BAU

* Special order finish- call for availability



Code Compliance

- CALGreen

Warranty

- Limited lifetime warranty

For complete warranty information go to www.graff-designs.com/en-nam/warranty

The measurements shown are for reference only. Products and specifications shown are subject to change without notice. Revised 12/2017

www.graff-designs.com | phone: 800-954-4723

BATHROOM
Contemporary 12" Shower Arm
G-8503

GRAFF®



Information

- Includes arm and solid round flange
- 1/2" NPT male thread inlet
- For use with all showerheads

Finishes



24K Gold

24K Brushed
Gold

Brushed Brass
PVD

Architectural
Black™

Brushed
Nickel

Gunmetal

Matte Black

Olive Bronze

Onyx PVD®

Polished Brass
PVD

Polished
Chrome

Polished
Nickel

Architectural
White

G-8503

Shower Components

Contemporary 12" Shower Arm

GRAFF®



Product Features

- Includes arm and round flange
- 1/2" NPT male thread inlet
- For use with all showerheads

Warranty

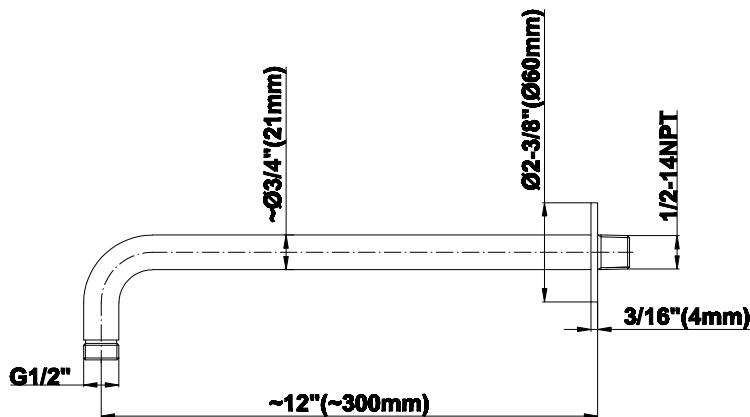
- Limited lifetime warranty

For complete warranty information go to www.graff-designs.com/en-nam/warranty

Available Finishes

- Polished Chrome
G-8503-PC
- Polished Nickel
G-8503-PN
- Brushed Nickel
G-8503-BNi
- Unfinished Brushed Brass*
G-8503-UBB*
- Unfinished Brass*
G-8503-UB*
- Matte Black*
G-8503-MBK*
- Architectural Black*
G-8503-BK*
- Architectural White*
G-8503-WT*
- Steelnox (Satin Nickel)*
G-8503-SN*
- Olive Brass*
G-8503-OB*
- Gunmetal*
G-8503-GM*
- Vintage Brushed Brass*
G-8503-VBB*
- OR'osa PVD*
G-8503-RG*
- Brushed OR'osa PVD*
G-8503-BRG*
- Onyx PVD*
G-8503-OX*
- Brushed Onyx PVD*
G-8503-BOX*
- Polished Brass PVD*
G-8503-PB*
- Brushed Brass PVD*
G-8503-BB*
- 24K Brushed Gold*
G-8503-BAU*
- 24K Gold*
G-8503-AU*
- Gunmetal Distressed*
G-8503-GMD*

* Special order finish- call for availability



The measurements shown are for reference only. Products and specifications shown are subject to change without notice. Revised 10/2019

www.graff-designs.com | phone: 800-954-4723

BATHROOM
6" Contemporary Tub Spout
G-8555

GRAFF®



Information

- Includes spout ring
- 1/2" NPT female thread inlet
- Tub spout flow rate ~ 19.8 gpm @60 psi

Finishes



G-8555

6" Contemporary Tub Spout



Product Features

- Includes spout ring
- 1/2" NPT female thread inlet

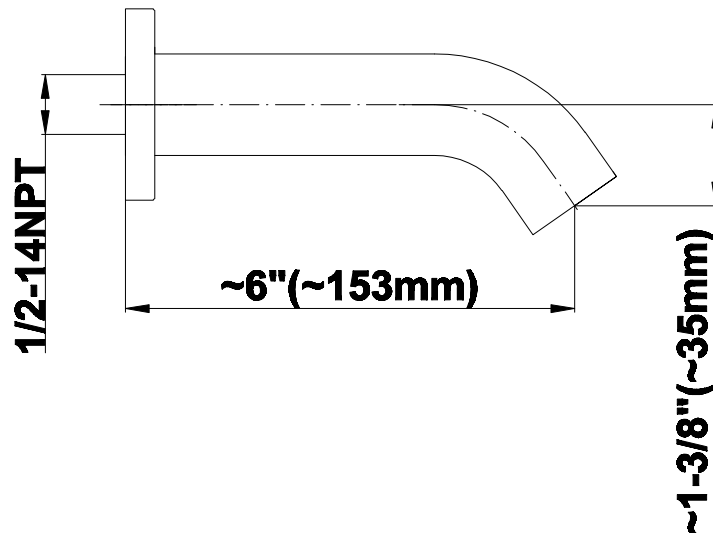
Available Finishes

- Polished Chrome G-8555-PC
- Steelnox[®] G-8555-SN
- Olive Bronze G-8555-OB
- Polished Nickel G-8555-PN
- Architectural Black™
G-8555-PC/BK
- Architectural White
G-8555-PC/WT

Warranty

- Limited lifetime warranty

For complete warranty information go to
www.graff-faucets.com/en-nam/warranty



The measurements shown are for reference only. Products and specifications shown are subject to change without notice. Revised 07/2012.

www.graff-faucets.com | phone: 800-954-4723