

MAXWELL® DUAL FLUSH Round Front Toilet

10" Rough-in

Features:

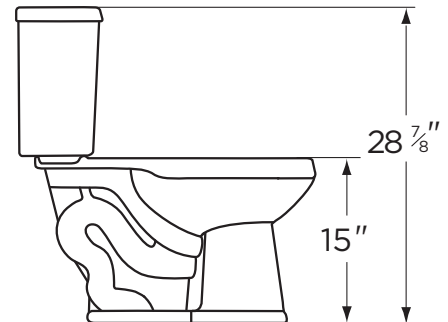
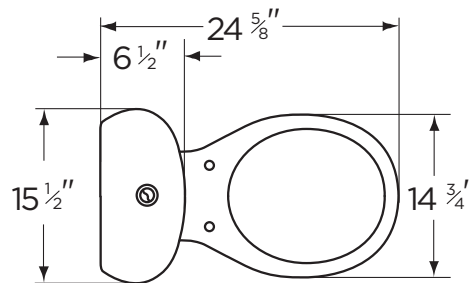
- Dual Flush 1.1/1.6 gpf (4.0/6.0 Lpf)
- High Efficiency Toilet (HET)
- Round Front Bowl
- Glazed Trapway
- Reverse Trap
- Front Jet Flushing Action
- Top Mounted, Two-button Actuator
- Siphonic Flush Action Keeps Bowl Clean
- Available in White
- 2 Bolt Caps
- Seat not included

Dimensions:

Height 28 ⁷/₈"
 Width 15 ¹/₂"
 Depth 24 ⁵/₈"
 Rough-in 10"
 Water Surface from Rim 5"
 Trapway 1 ³/₄"
 Water Surface 9 ⁵/₈" x 7 ⁵/₈"
 Water Seal 2 ¹/₄"
 Shipping Weight 64 lbs



Specifications: Bowl—#SE-21-152 Round Front Tank—#DF-28-195



THIS FIXTURE QUALIFIES ACCORDING TO ASME TEST PROCEDURES AS A WATER CLOSET WITH AN AVERAGE CONSUMPTION OF 1.6 gpf (6 Lpf) OR LESS.



www.gerberonline.com

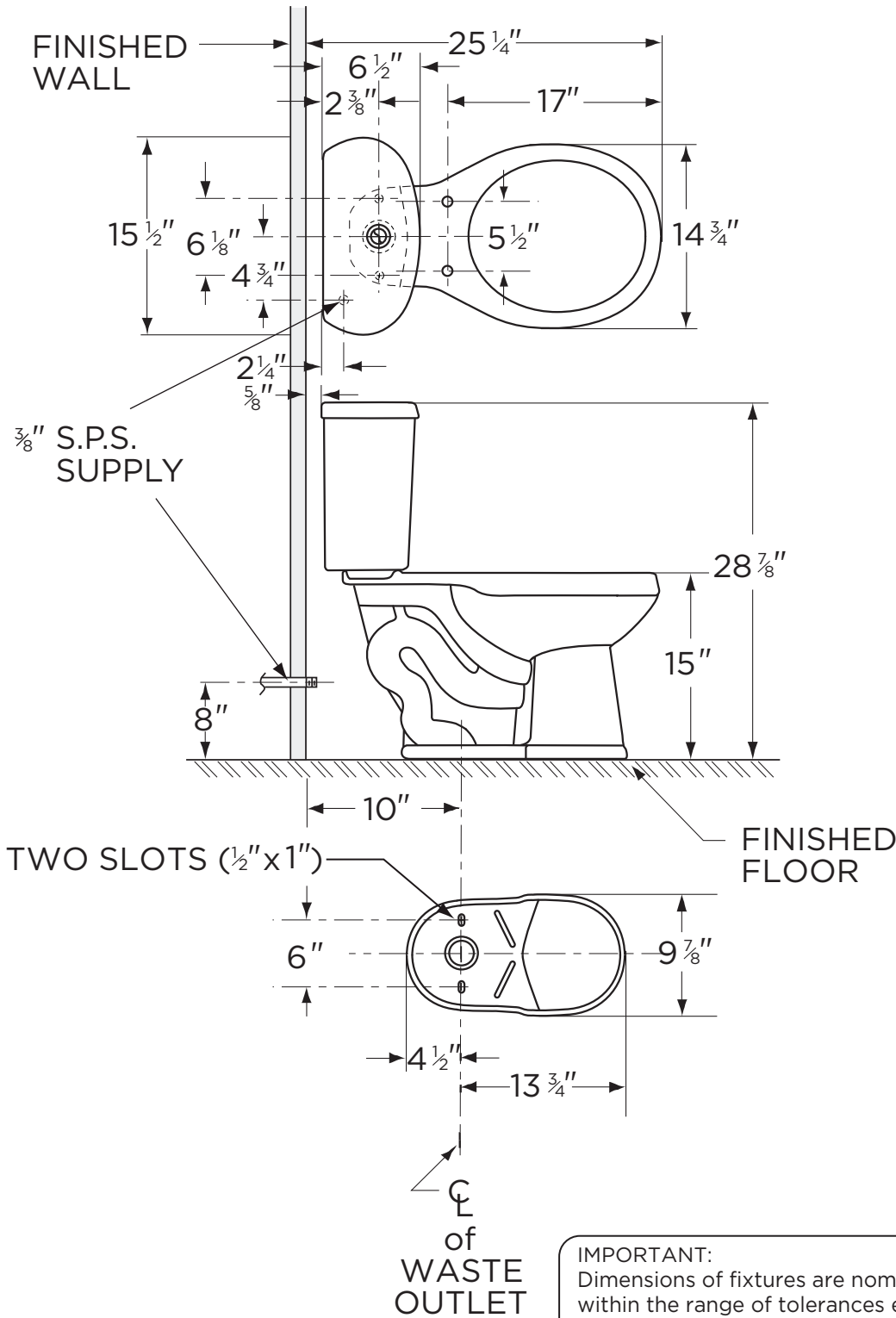
| | |
|--------------------|--|
| Job Name | |
| Date | |
| Model Specified | |
| Quantity | |
| Customer | |
| Contractor | |
| Architect/engineer | |

GERBER

1.1/1.6 gpf (4.0/6.0 Lpf) MAXWELL® DUAL FLUSH TOILET

DF-20-100

Round Front Toilet, 10" Rough-in
(Bowl SE-21-152 with Tank DF-28-195)



NOTES:
All dimensions are in inches.
Illustrations may not be drawn to scale.

IMPORTANT:
Dimensions of fixtures are nominal and may vary within the range of tolerances established by ASME Standard A 112.19.2.
THIS FIXTURE QUALIFIES ACCORDING TO ASME TEST PROCEDURES AS A WATER CLOSET WITH AN AVERAGE CONSUMPTION OF 1.6 gpf (6 Lpf) OR LESS.