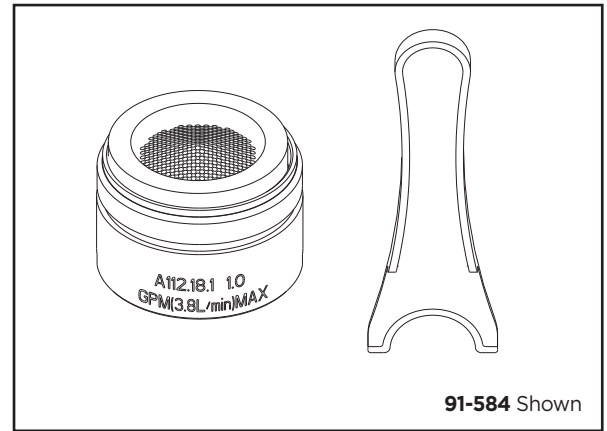




#### Features:

- Flow rate at 1.0 gallon per minute
- Spray flow pattern
- Female or male thread available
- Wrench included
- Insert provided by Neoperl
- Pressure compensating between 20 psi and 80 psi
- Laser etched "A112.18.1M, 1.0 GPM / 3.8 LPM Max"
- Chrome, brushed nickel (same as SS) or oil rubbed bronze finish available

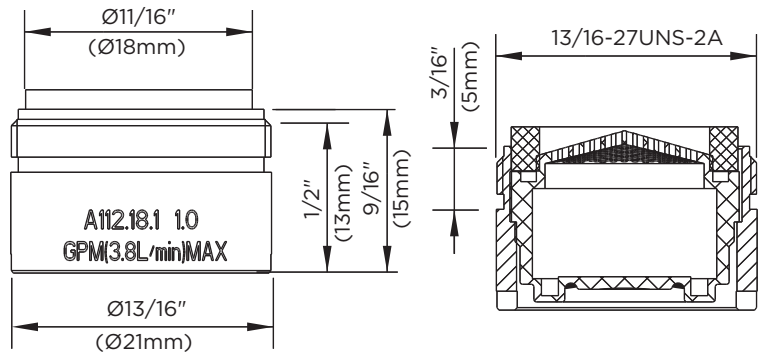


#### Standards & Certifications:

- ASME A112.18.1.M

#### Catalog Numbers:

- 91-564** 1.0GPM, Reg, Male, Spray
- GA66D604N** 1.0GPM, Jr, Female, Spray
- 91-584** 1.0GPM, Jr, Male, Spray
- 91-585** 1.0GPM, Reg, Female, Spray
- 91-578** 1.0GPM, Male, Spray for Brianne series
- GA66D735N** 1.0GPM Insert, Spray, Brianne Kitchen Pull Out
- GA66D664N** 1.0GPM, Male, Spray, Waveland
- 91-582** 1.0GPM, Reg, Male, VP, Spray
- 91-583** 1.0GPM, Reg, Female, VP, Spray
- GA603367N** 1.0GPM, Male, Electronic Faucet
- GA603370N** 1.0GPM, Female, Electronic Faucet

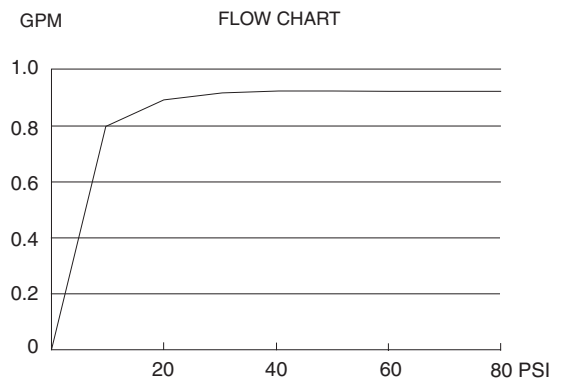


#### Prefixes Available:

None

#### Suffixes Available:

None



Job Name	
Date	
Model Specified	
Quantity	
Customer	
Contractor	
Architect/engineer	

Gerber Toll Free Technical Support: 888-648-6466  
[www.gerberonline.com](http://www.gerberonline.com)