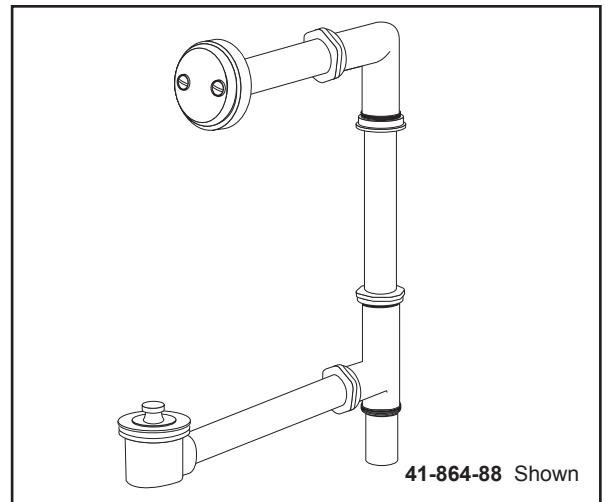


Features:

- Fits most tubs 14" to 16" high
- 1-1/2" brass tubing in 17 and 20 Gauges
- Patented adjustable self-retaining rubber head gasket
- Cast brass shoe plug
- Heavy duty cast red brass head, tee and shoe
- Cast red brass coupling nuts supplied with 17 Gauge Tubing
- Plated zinc coupling nuts supplied with 20 Gauge tubing
- Partially assembled in carton
- Compartmentalized packaging
- Available in Chrome only
- Retaining Ring comes standard on Thru-The-Wall Drain



Technical Specifications:

- CSA B125-93

Catalog Numbers:

41-863-88 17 Gauge (Chrome)

41-864-88 20 Gauge (Chrome)

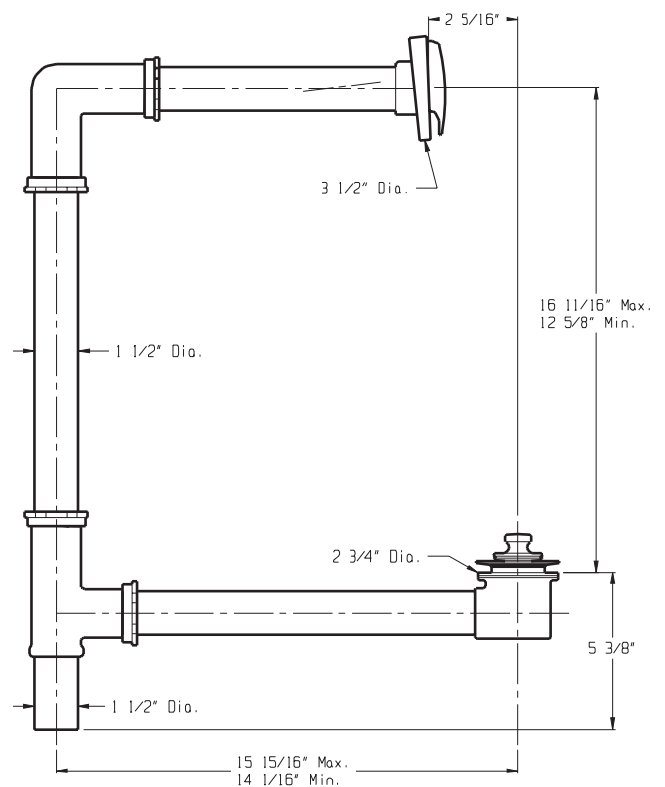
Suffixes Available:

-70 Chicago Code

-77 6" Tailpiece

-78 10" Tailpiece

-79 12" Tailpiece



Job Name	
Date	
Model Specified	
Quantity	
Customer	
Contractor	
Architect/engineer	

GERBER®

PROFESSIONAL PERFORMANCE

Gerber Toll Free Technical Support: 888-648-6466
www.gerberonline.com