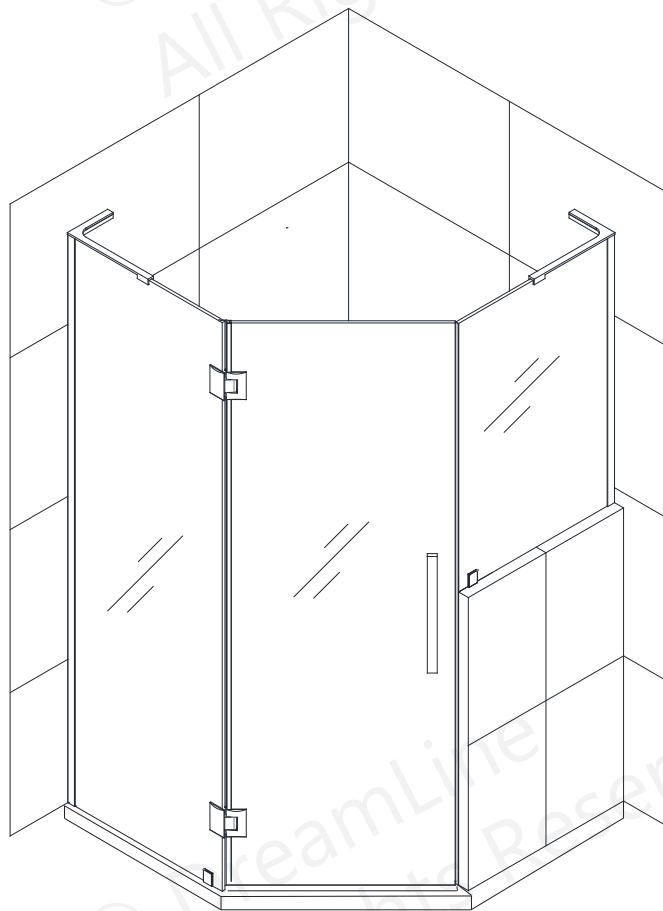


PRISM PLUS with Buttress Return Panel

SHOWER ENCLOSURE INSTALLATION INSTRUCTIONS

IMPORTANT

DreamLine[®] reserves the right to alter, modify or redesign products at any time without prior notice for the purpose of product improvement and customer experience. Please refer to the model's web page on **DreamLine.com** for the latest technical drawings, installation manuals, warranty information or additional product details.



MODEL #s

E264072-134-##

##=finish

01- Chrome

04- Brushed Nickel

06- Oil Rubbed Bronze

09- Satin Black

Right-hand buttress panel installation shown

PLEASE REVIEW THIS ENTIRE MANUAL PRIOR TO INSTALLATION



Questions?

Please Call **DreamLine** Customer Support: **1-866-731-2244**
Hours of Operation M-F 8AM - 6PM EST

Support@DreamLine.com



For more information about DreamLine[®] Shower Doors & Tub Doors please visit **DreamLine.com**



This model is treated with DreamLine's exclusive ClearMax™ Glass technology. This is a specially formulated coating that prevents the build up of soap and water spots.

Install the surface with the ClearMax™ label towards the inside of the shower. Please note that depending on the model, the glass may be coated on either one or both surfaces.

For best results, squeegee the glass after each use and dry with a soft cloth.

Record the following purchase information for your records or in the event you need to contact DreamLine®:

Purchase Order Number _____

Store/Vendor Purchased From _____

Installation Date _____

OD Number (optional) _____
*found on the shipping box or label if available.

Installed By: _____

SKU Number _____

Table of Contents

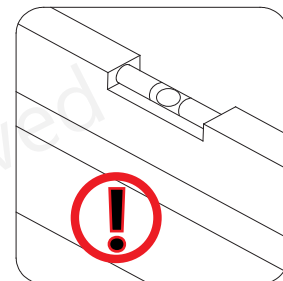
Section title	Page #
Important Steps	2
Enclosure Diagram	3
Preparation	4
Tools	5
Detailed Diagram of Shower Enclosure Components	6
Parts List	7
Installation Steps	8-23
L-Bar™ Installation	11-12
Vinyl Seals	21-22
Hinge Adjustment Procedure	24
Product Maintenance	25
Factory Part Information	26

Tip: Measure the finished opening before proceeding with the installation to be sure that the correct model size has been ordered.

Tip: Prior to installation, cover the shower/tub drain with tape to prevent losing screws or small parts.

Tip: Set screw gun clutch to low setting when installing screws and bolts to prevent stripping the heads.

Threshold must be level.



This product should be installed by someone familiar with the construction requirements for this type of project and the care necessary for the safe installation and operation of the product.

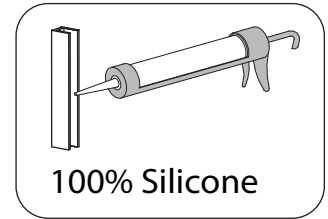
Important Steps



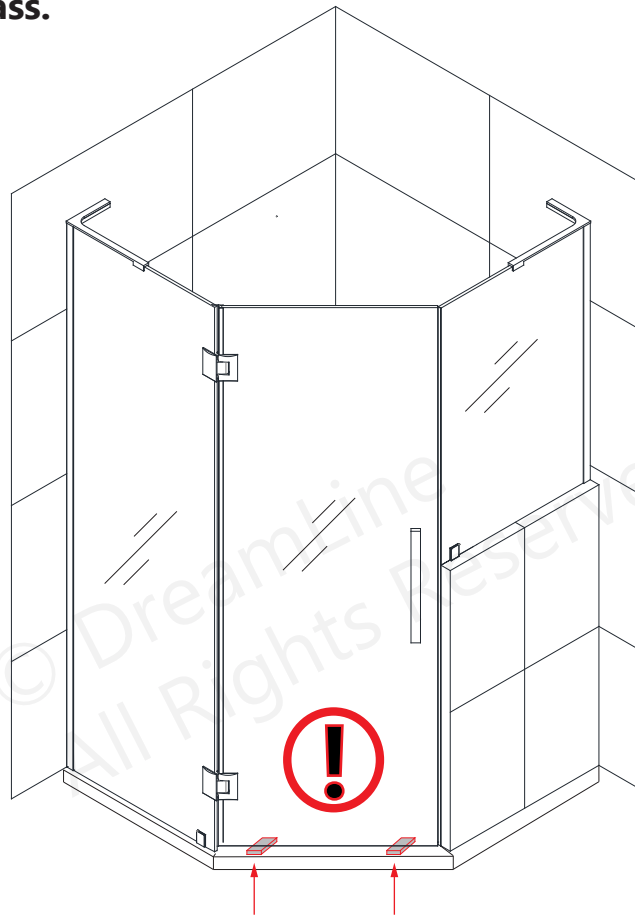
The hinge panel glass must be properly installed and secured to support the weight of the door glass. Failure to follow these steps may result in the hinge panel glass pulling out of the U-Channel.

IMPORTANT STEPS TO FOLLOW:

- Use 100% silicone caulk - a quick-drying or fast-curing silicone is recommended for the installation of hinge panel glass into the U-Channel
- Apply enough silicone into the U-Channels to secure the panel glass
- Fully tighten the L-Bars™ on the Hinge Panel Glass and the Buttress Return Panel
- DO NOT remove the spacers or shims from beneath the door glass for at least 24 hours to allow the silicone to fully cure in the U-Channel holding the hinge panel glass**
- The hinge panel glass for this model should not be adjusted more than 1/4" within the U-Channel for an out-of-plumb wall condition**
- Refer to the product installation manual for more details



It is required to Allow 24 hours for the silicone to cure before installing the door glass.



NOTE: Leave spacers or shims in place beneath the door glass for 24 hours. If time allows, delay installing the door glass onto the hinge panel glass for 24 hours until the silicone securing the hinge panel glass has fully cured.

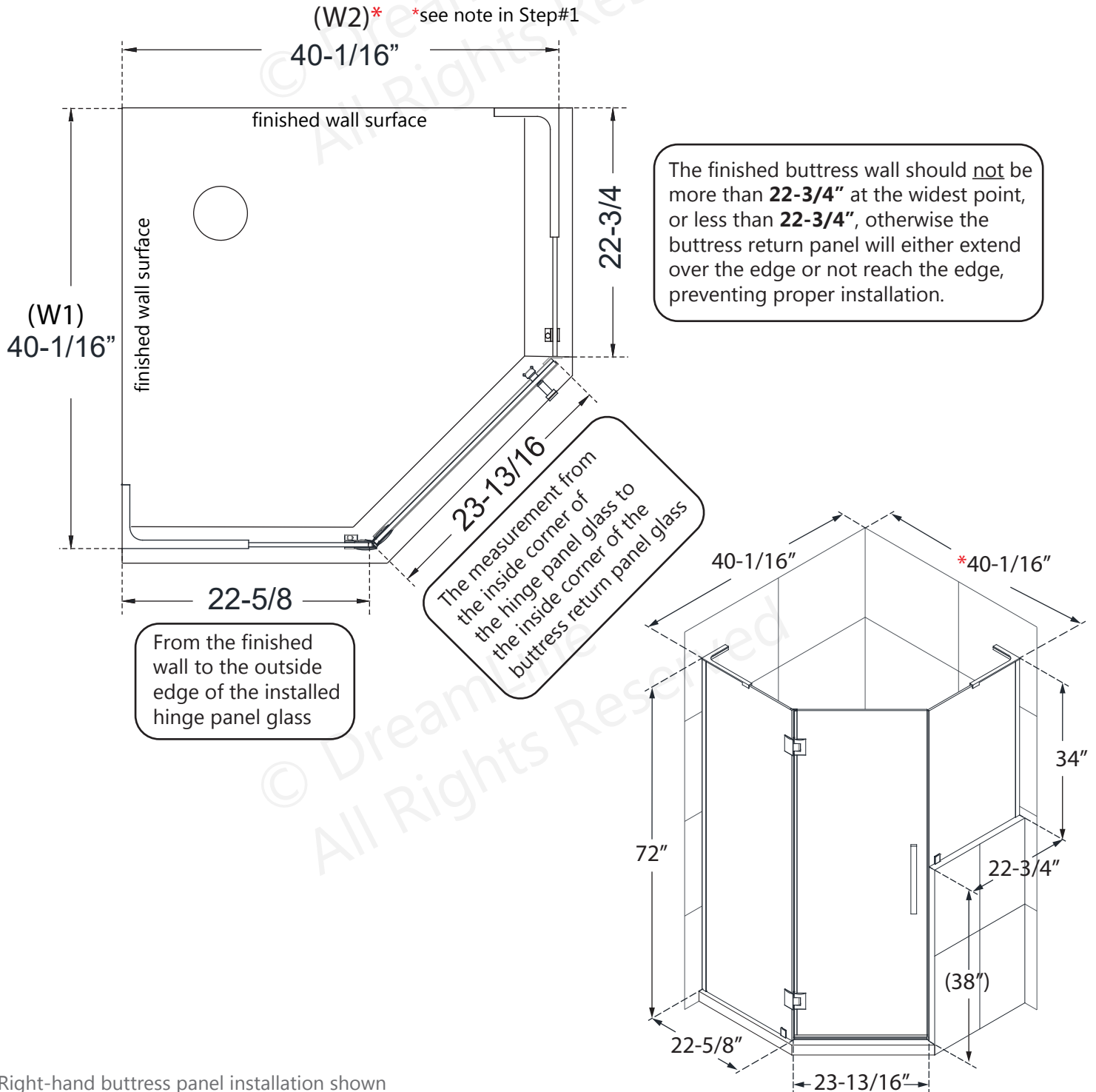
Enclosure Diagram



NOTE: This enclosure must be installed at the model size dimensions shown in **Table A on page 8**. Be sure that the correct size shower enclosure has been ordered to fit the finished dimensions of the base or threshold that the enclosure will be installed upon.

NOTE: The thickness of the finished wall treatment will affect the alignment of the enclosure upon the threshold.

Product specifications:



Preparation

1. Prior to installation, examine all boxes and packages for shipping damage and compare the piece count with your packing slip. After opening all boxes and packages read this introduction carefully. Check that all of the needed parts are included in the package by checking off the components on the "Detailed Diagram of Shower Door Components". If the unit has been damaged, has a finishing defect, or has missing parts, please contact our customer support department within **3 business days** of the delivery date. **Please note that DreamLine® will not replace any damaged products or missing parts free of charge after 3 business days or if the product has been installed.** Feel free to contact DreamLine® if you have any questions, and please provide an order number, job name or other proof of purchase to help us identify your original order.
2. **Please note that you should consult your local building codes with questions on installation compliance standards. Building and plumbing codes may vary by location, and DreamLine® is not responsible for code compliance standards for your project and will not accept any returns.**
3. If this unit is going to be installed in a new construction, please install all of the required plumbing and drainage before installing the shower. Use a competent and licensed (if required by local code) plumber for all plumbing installation
4. Please make sure that prior to beginning the installation, the surfaces are leveled and solid and will be able to support the total weight of the unit. Also make sure the walls are at right angles. Irregular installation surface level, radius corners or improper angle of side walls will result in serious problems for your installation. Please, note that some adjustments and drilling might be necessary during the installation process.
5. Please protect all primary surfaces of the product during installation. Never set your glass down directly onto a tile floor. Leave corner protectors in place until necessary to remove them. Always use a piece of wood or cardboard to protect the bottom edge and corners of the glass prior to and during installation.
6. This unit must be installed upon a finished threshold and against finished walls.
7. **This model has 1/4" of adjustment for out-of-plumb wall conditions within the U-channels. Verify that the walls are within this tolerance before proceeding with the installation.**
8. **This model requires that you drill into the threshold for proper installation. Contact the manufacturer of the base or threshold material with any questions regarding the drilling of holes into their product.**
9. **This model requires a minimum 1-1/2" of flat level threshold space for installation.**
10. **Professional installation recommended.**



NOTE: It is required to allow the silicone to fully cure in the U-channels before installing the door glass.



NOTE: DO NOT install the handle onto the door glass until instructed.
DO NOT lift the glass using the handle. This could result in damage to the glass and/or serious personal injury. Always use an assistant or a professional grade glass suction cup when handling heavy glass.

NOTE: This door is reversible for left or right-swing door installation. The left-swing door installation is shown as an example throughout this manual. For the right-swing door installation, simply begin on the opposite wall and reverse the orientation of the steps shown.

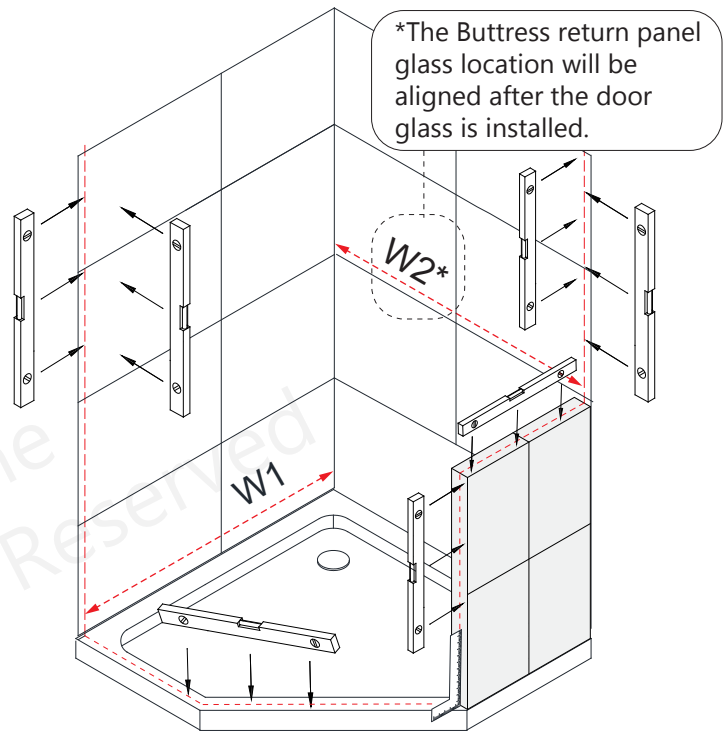
Tools



*Quick-drying/fast-curing silicone recommended for the installation of the hinge panel glass.



Note: W1 and W2 dimensions are measured from the finished corner of the walls to the outside edge of the installed wall profiles.

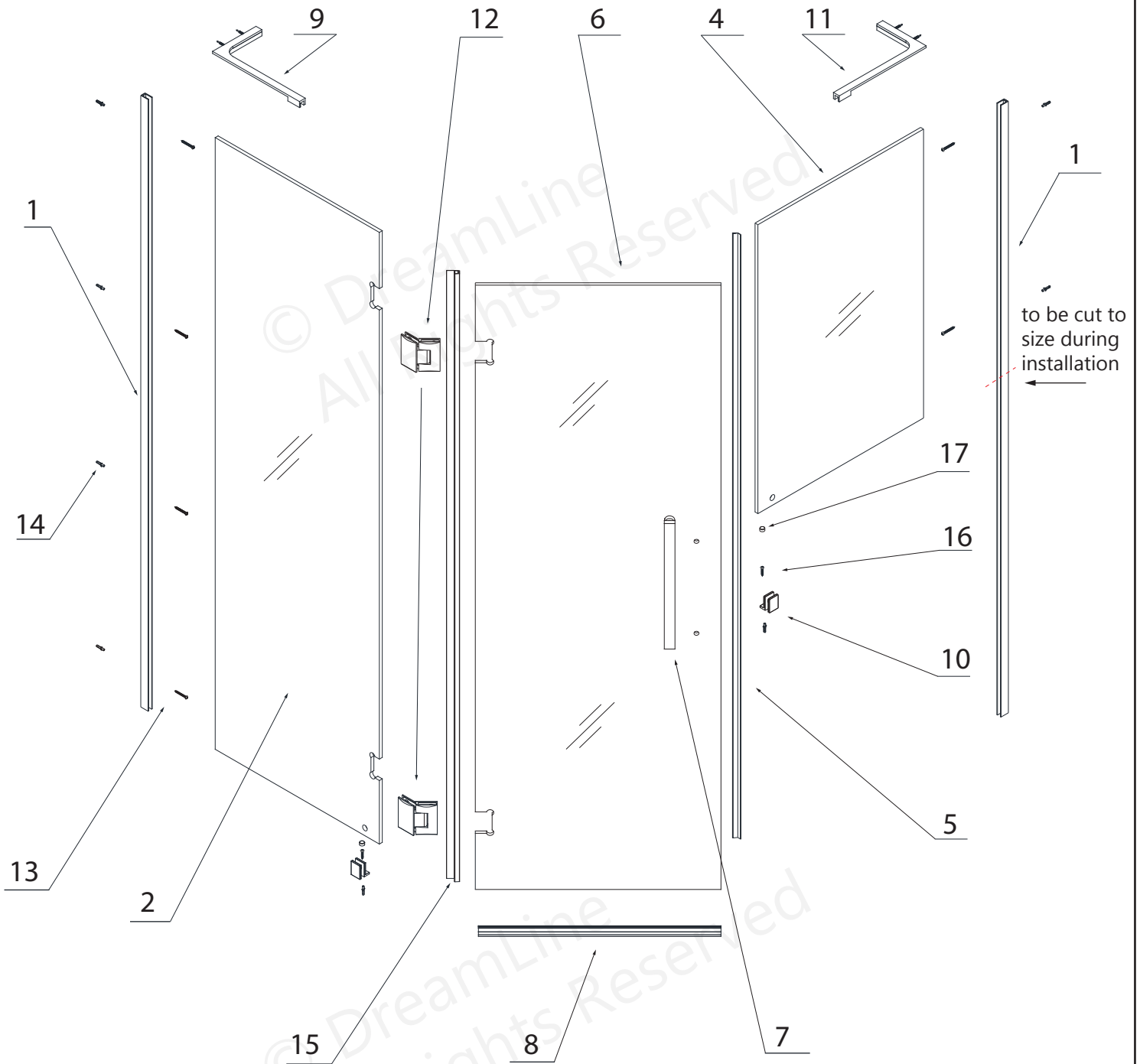


Right-hand buttress panel installation shown

NOTE: Unpack your unit carefully and inspect it. Lay it out and identify all parts using the detailed diagram and packing list in this manual as a reference. Before discarding the carton, check for small hardware bags that may have fallen to the bottom of the box. If any parts are damaged or missing, please contact DreamLine® for replacement. The shipping boxes may contain extra parts not used in your model configuration.

NOTE: Retain these installation instructions for future reference.

Detailed Diagram of Shower Enclosure components



**The glass surface
with the ClearMax™
label must be
installed to face
inside of the shower**

Right-hand buttress panel installation shown

Parts List

ITEM #	DESCRIPTION	QTY	ITEM #	DESCRIPTION	QTY
01	U-Channel	2pcs	10	Bottom Bracket	2pcs
02	Hinge Panel Glass	1pc	11	L-Bar™ (Right-hand)	1pc
04	Buttress Return Panel Glass	1pc	12	130° Glass-to-Glass Adj Hinge	2pcs
05	135° Strike Vinyl w/VHB tape	1pc	13	ST4.2 x 40 Pan Head screw	8pcs
06	Door Glass	1pc	14	Wall Anchor (5/16")	8pcs
07	Handle	1pc	15	Hinge-side vinyl	1pc
08	Bottom Sweep Vinyl	1pc	16	ST4.2 x 25 Pan Head screw	2pcs
09	L-Bar™ (Left-hand)	1pc	17	Decorative Screw cap	2pcs

NOTE: Item #03 is intentionally not present in this part list

© DreamLine
All Rights Reserved

Installation steps

1. Starting from the bottom of the back corner on the wall opposite the buttress wall, measure to the model size "**W1**" shown in **TABLE A**. Use a 4' level to draw a plumb line up the wall from that mark. This line will represent the outside edge of the **U-Channel (#1)**. Use a carpenter's square against the wall to also mark the threshold. (**TABLE A**) (**Fig 1**)

TABLE A

Measured from the finished back corner to the outside of the u-channel	
W1	W2*
40-1/16"	40-1/16"

*Use this **W2** dimension as a reference. The actual placement of the buttress return panel will be determined in Step #11.

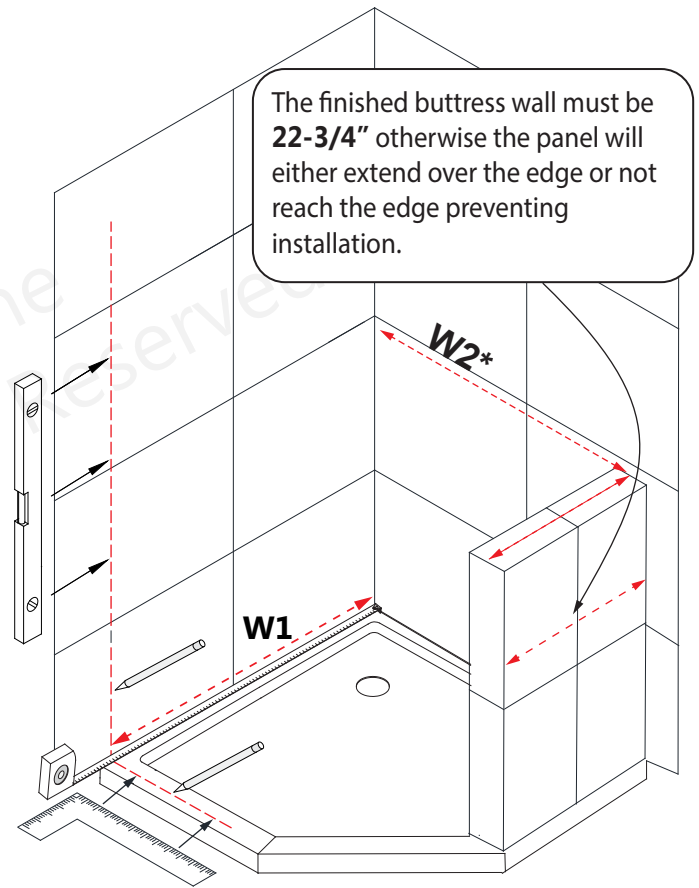


Fig 1



NOTE: The **U-Channel (#01)** must be installed at the correct dimension for the model size which may not be on the centerline of the threshold.

2. Hold the **U-Channel (#01)** plumb against the mark on the wall. Mark the drilling holes on the wall through the pre-drilled holes in the **U-Channel (#01)**. (**Fig 2**)

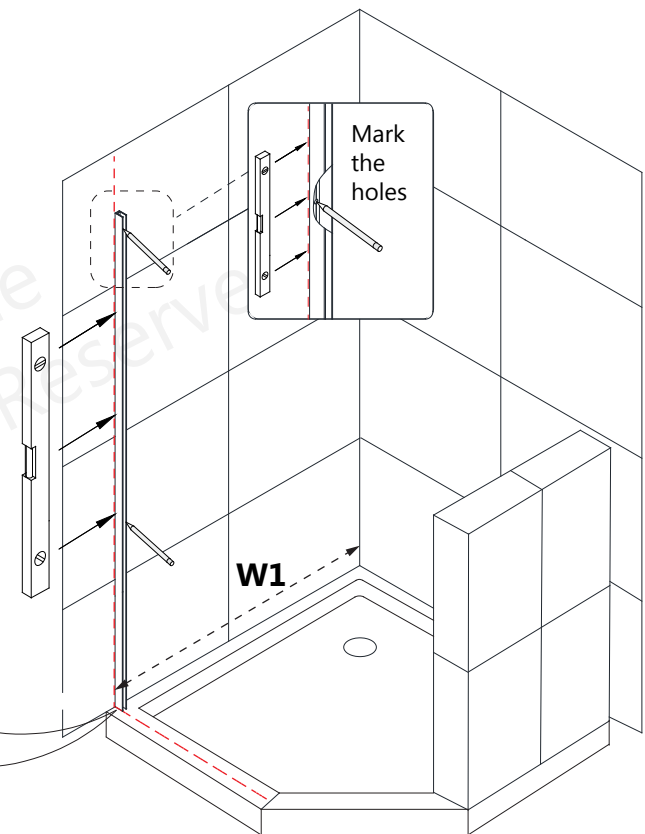
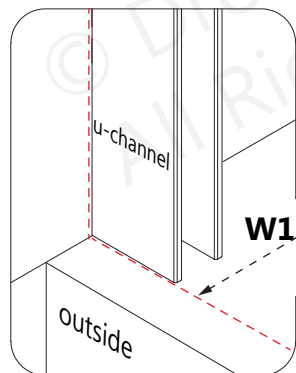


Fig 2

Right-hand buttress panel installation shown

3. If no stud is present behind the wall, drill the holes using a $\text{Ø}5/16''$ drill bit and insert the **Anchors (#14)**. Run a bead of waterproof silicone along the back of the **U-Channel (#01)**. Fasten the **U-Channel (#01)** to the wall using the **ST4.2×40 Pan Head Screws (#13)**. (**Fig 3**)



***NOTE:** If there is a stud behind the wall, drill $\text{Ø}3/16''$ holes up to the stud and do not use the anchors.

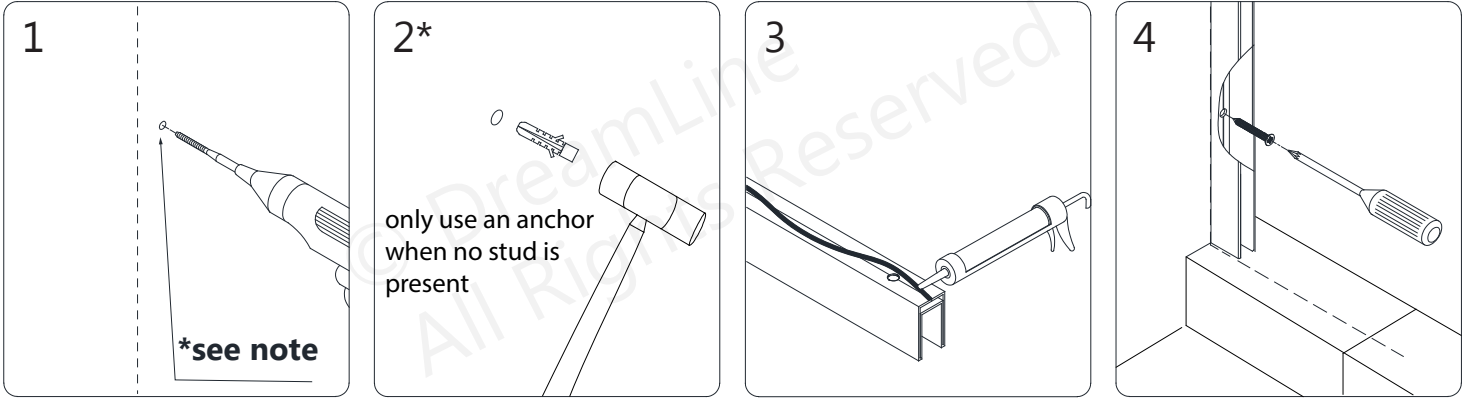


Fig 3

4. Apply silicone into the installed **U-Channel (#01)**. (**Fig 4**)



TIP: Quick-drying silicone sealant is recommended for installing the **Hinge Panel Glass (#02)** into the **U-Channel (#01)**

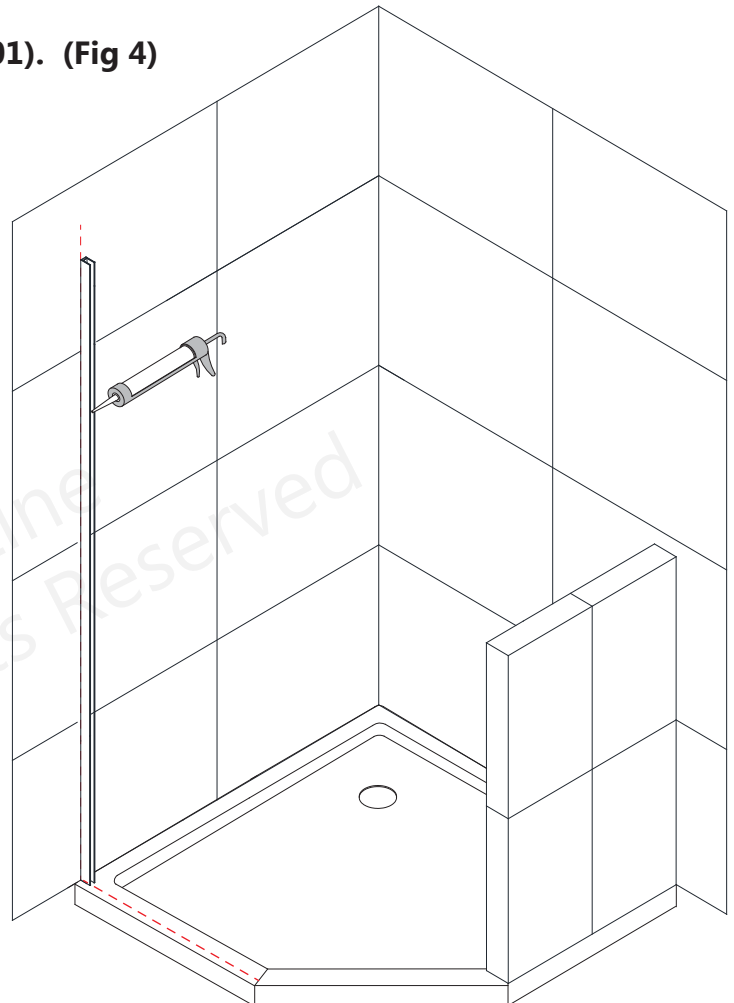


Fig 4

5. Set the **Hinge Panel Glass (#02)** onto the threshold and into the installed **U-Channel (#01)**. Check for level and plumb. (**Fig 5a / Fig 5b**)

! **NOTE:** Use caution not to damage the glass during installation.

! This model has $\frac{1}{4}$ " of adjustment for out-of-plumb wall conditions within the U-Channels. Do not exceed this tolerance.

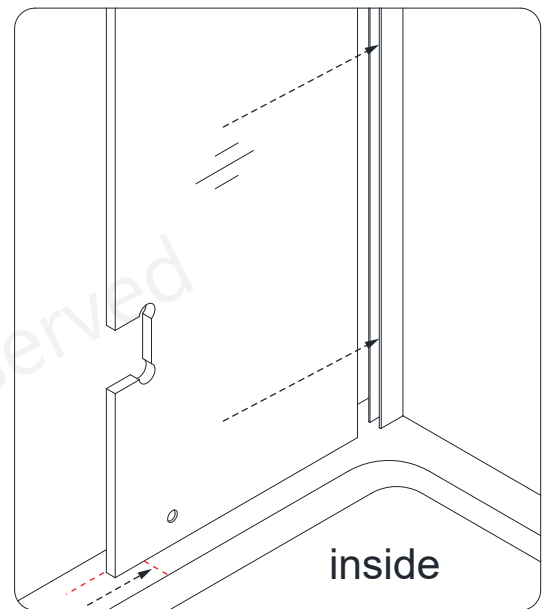


Fig 5a

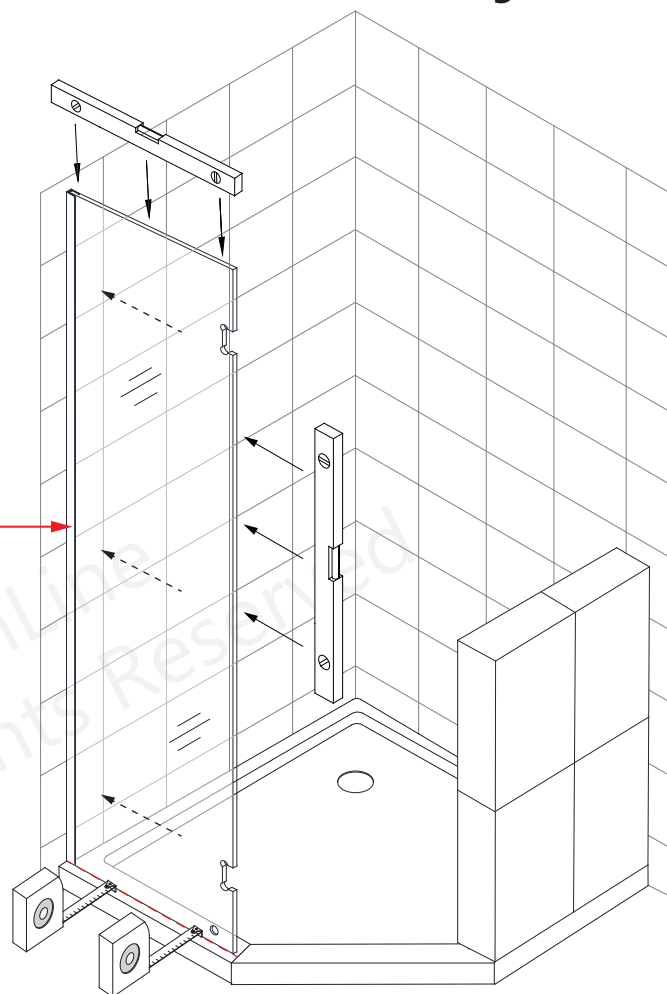
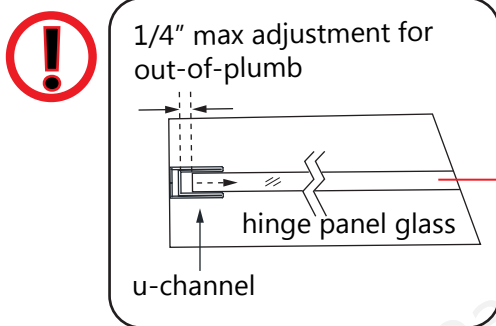
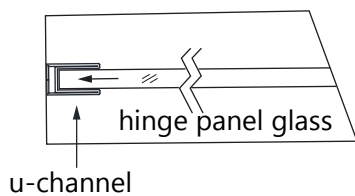
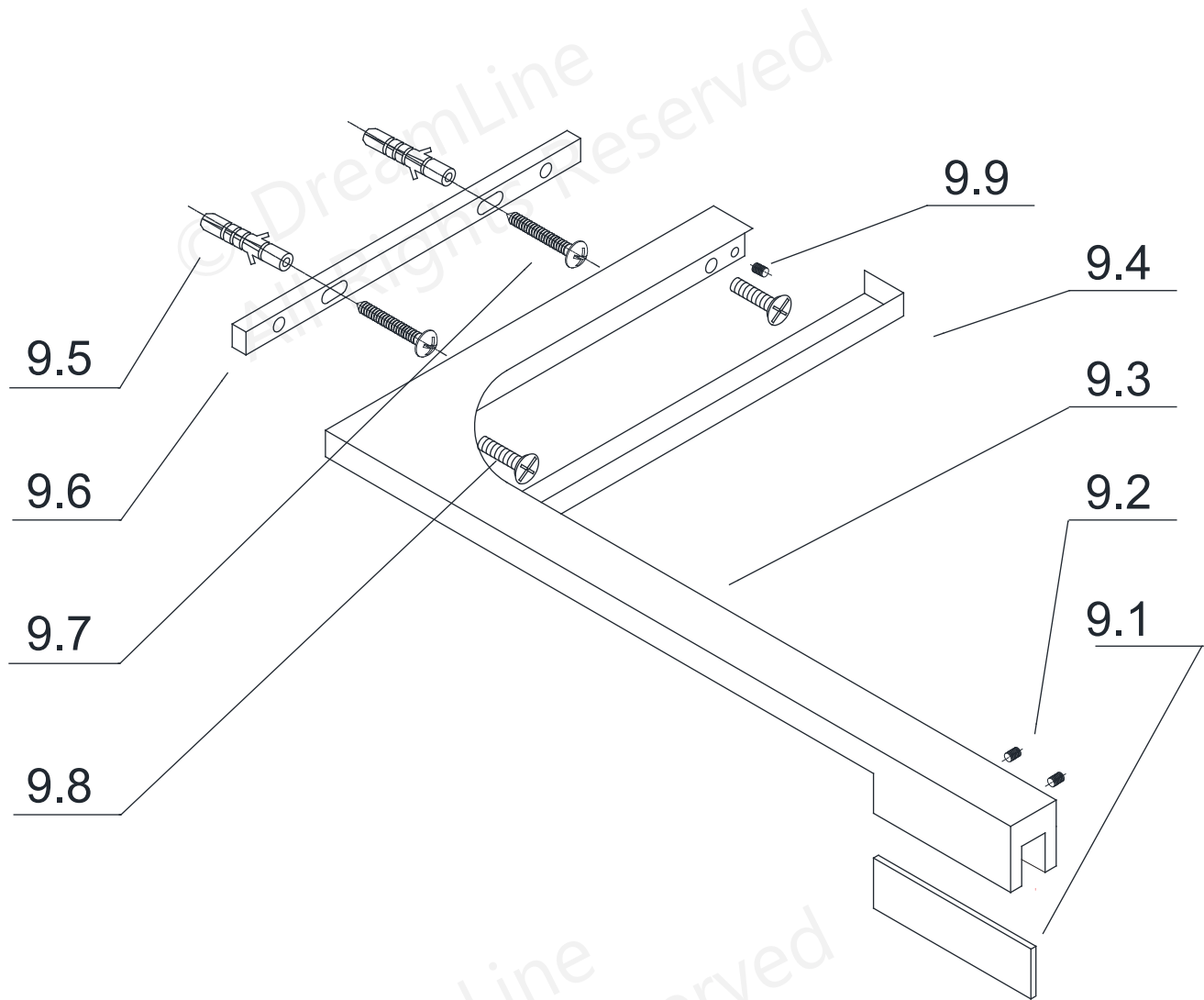


Fig 5b

Hinge Panel glass for Left-swing door installation shown as an example

Installation steps for L-Bar™

L-Bar™ Assembly Parts List (left hand bracket shown)



Item#	DESCRIPTION	Qty	Item#	DESCRIPTION	Qty
9.1	PVC spacer	1 pc	9.6	Wall plate	1 pc
9.2	Rubber tip set screw	2 pcs	9.7	Truss Head Screw ST 4.2 x 40	2 pcs
9.3	L-Bar™ (left hand shown)	1 pc	9.8	Flat head Screw M5 x 14	2 pcs
9.4	Decorative cover	1 pc	9.9	Wall Plate adjustment set screw	2 pcs
9.5	Ø5/16" Wall anchor	2 pcs			

6. Position the **Left-Hand L-Bar™ (#09)** onto the **Hinge Panel Glass (#02)** as shown and mark its position on the wall. Remove the **Wall Plate (#9.6)** from the **Left-Hand L-Bar™ (#9)**. Hold the **Wall Plate (#9.6)** to the marks on the wall. Hold the **Wall Plate (#9.6)** level and mark the holes for drilling through the wider, untapped holes. (**Fig 6.2**)

Drill two **Ø5/16" (8mm)** holes and insert the **Ø5/16" Wall Anchors (#9.5)**. (**Fig 6**)



TIP: When marking the L-Bar™ location on the wall, leave the Decorative Cover attached to allow space to re-attach the Decorative Cover after installation.

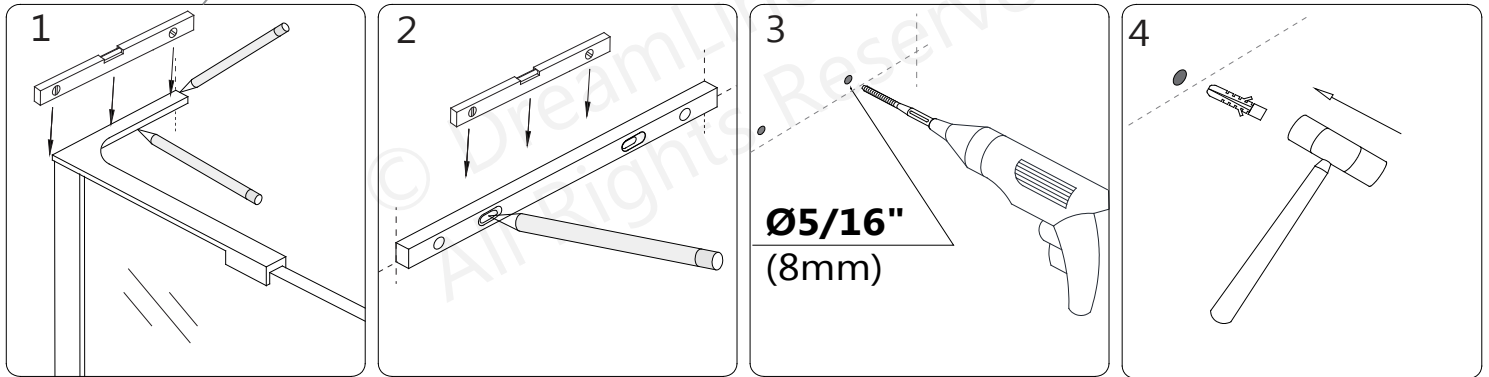


Fig 6

(Left-hand L-Bar™ installation shown)

7. Attach the **Wall Plate (#9.6)** to the wall using the **ST4.2 x 40 Truss Head Screws (#9.7)**. Re-attach the **L-Bar™ (#9.3)** to the **Wall Plate (#9.6)** using the **M5 x 14 (Flat Head Screw #9.8)**. Adjust the angle if necessary by using the **Wall Plate Adjustment Set Screws (#9.9)**. (**Fig 7**)

Adjust the angle of the L-Bar™ (up to 3/16") using the small set screws on the wall plate.

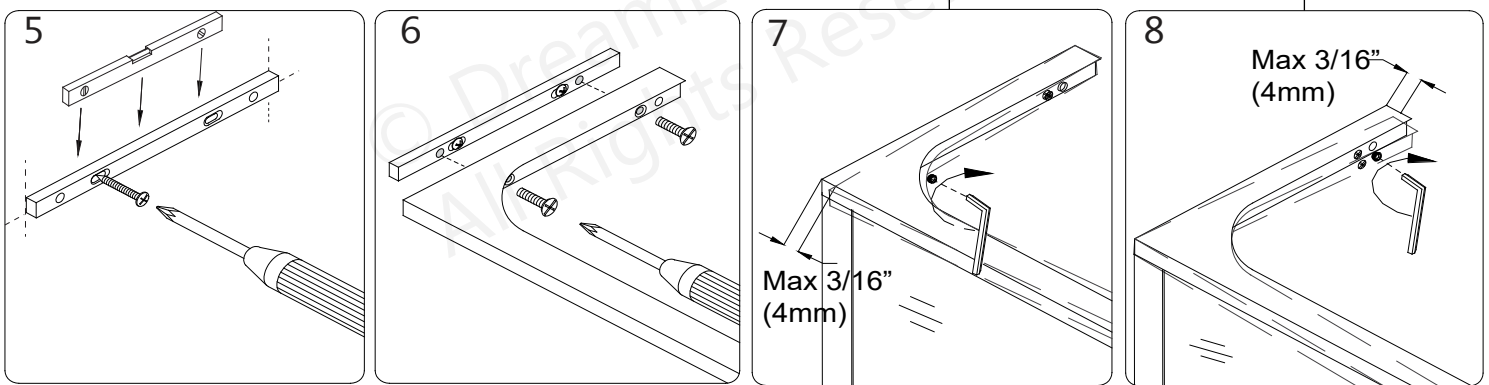


Fig 7

8. Measure the distance on the threshold between the **Hinge Panel Glass (#02)** and the buttress wall. Adjust the **Hinge Panel Glass (#02)** so that it is parallel to the outside edge of the threshold. Measure the area where the door glass will be installed. **(Fig 8)**



This space for the door glass needs to be **23-13/16"** as measured from the **inside edge of the Hinge Panel Glass (#02) to the face of the buttress wall.**

Mark the position of the door glass on the threshold as shown.

Product Specifications:

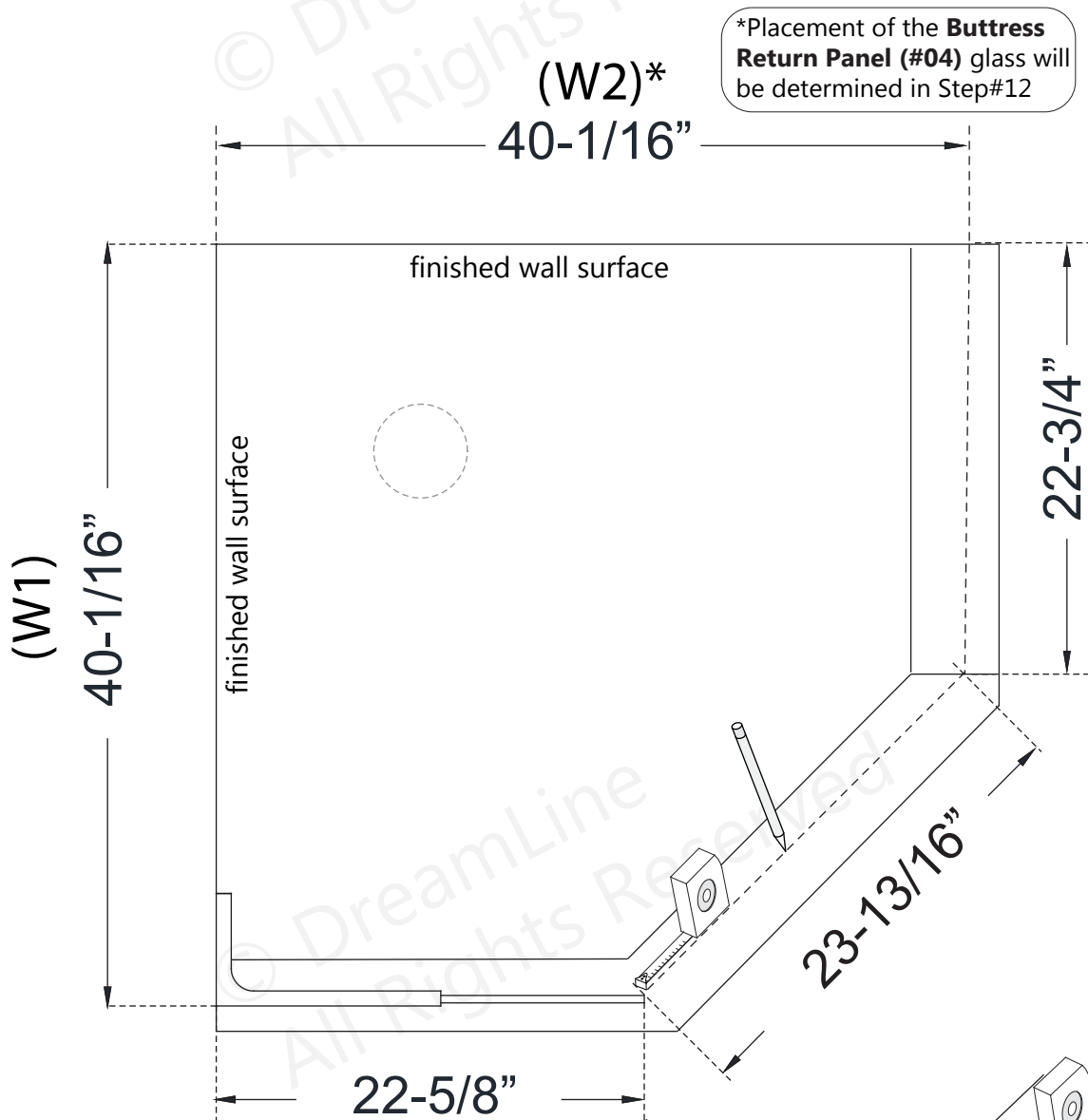


Fig 8a

(overhead view)

9. Assemble the **Bottom Bracket (#10)** through the hole at the bottom of the **Hinge Panel Glass (#02)**. Mark the threshold through the hole in the **Bottom Bracket (#10)**. Remove the bracket and use either: an **Ø1/8" drill bit for an acrylic base** (or drill a **Ø3/16" hole up to the stud for installation into a tile threshold**). Replace the bracket and fasten to the threshold using a **Pan Head Screw ST4.2×25 (#09)** and **washer**. Cover the screw and washer with the **Decorative Cover (#10)**. (**Fig 9a and Fig 9b**)

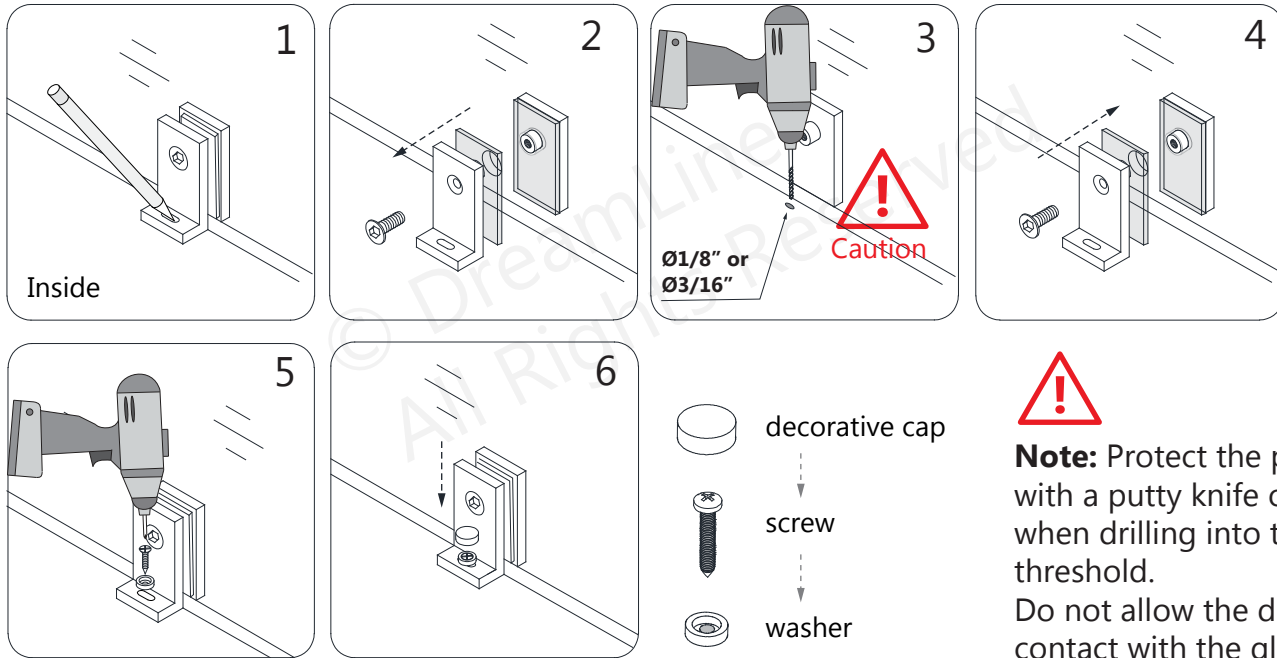
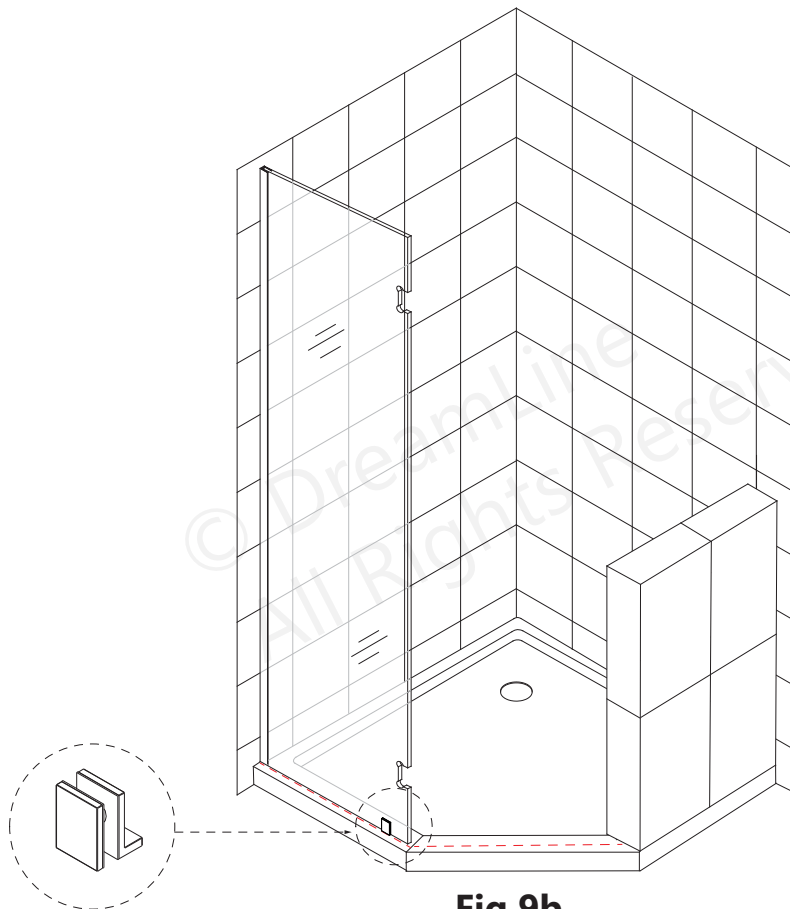


Fig 9a



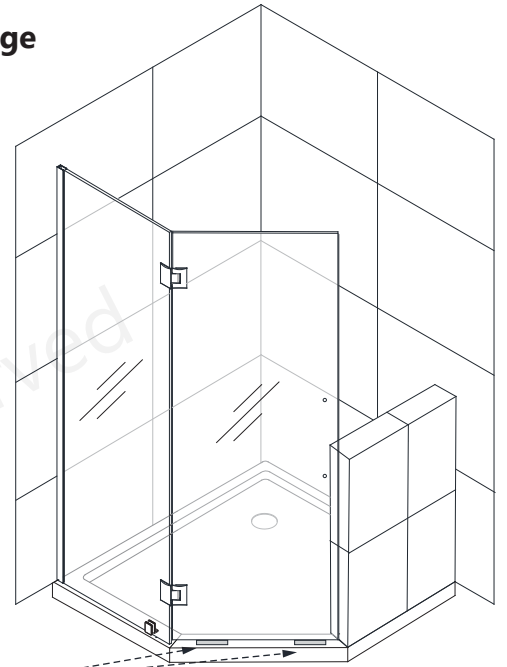


NOTE: It is required to allow the silicone holding the **Hinge Panel Glass (#02)** in the **U-Channel (#01)** to cure before hanging the **Door Glass (#06)**.



TIP: Use a **13/16" shim** beneath the door glass to help align the **Door Glass (#06)** with the hinges. This will protect the threshold and the bottom of the door glass from damage and allow proper spacing for the **Sweep Vinyl (#08)**. (Fig 8b)

Leave the shims in place beneath the door glass while the silicone cures and during the measurement and installation of the buttress panel glass. (Fig 10a)



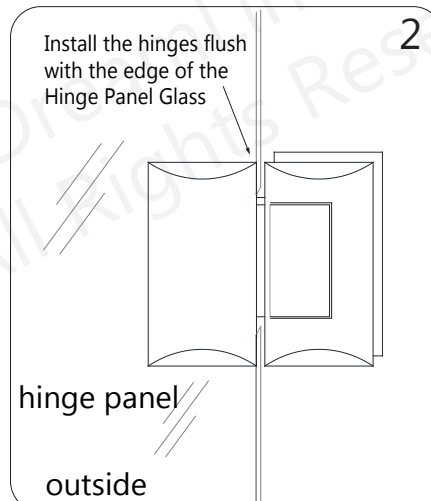
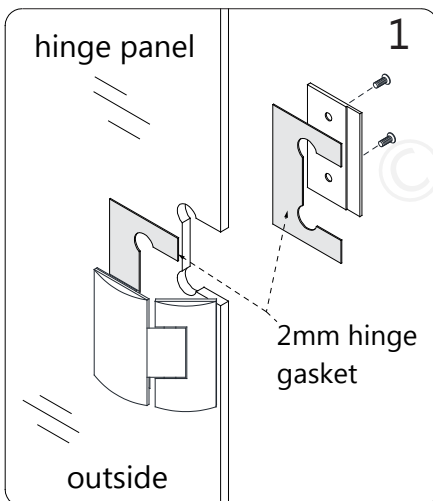
13/16" shims

Fig 10a



DO NOT install the Handle onto the door glass until instructed. **DO NOT** lift the door glass using the Handle. This could result in damage to the glass and /or serious personal injury. Always use an assistant or a professional grade glass suction cup when handling heavy glass.

10. Attach the **130° Glass-to-Glass Adjustable Hinge (#12)** onto the **Hinge Panel Glass (#02)** with the bolts facing inside the shower and flush with the edge of the glass. Use one 2mm hinge gasket per side. Fully tighten the hinge bolts evenly and attach the decorative bolt caps. (Fig 10b)



NOTE: These adjustable hinges are factory set to **overclose for a tight seal**. See **Page 24** for instructions regarding the adjustment features for these hinges.

Fig 10b



NOTE: Protect the edge of the door glass to prevent contact with the buttress wall during installation.

11. Carefully bring the **Door Glass (#06)** into the shower between the **Hinge Panel Glass (#02)** and the buttress wall. **USE CAUTION:** Do not let the glass contact the wall or threshold. Use two **13/16" shims** beneath the door glass during installation. Level up the **Door Glass (#06)** next to the **Hinge Panel Glass (#02)** and fasten the **130° Glass-to-Glass Adjustable Hinge (#12)** onto the **Door Glass (#06)**. Make sure the **Door Glass (#06)** and the **Hinge Panel Glass (#02)** are flush at the top and that the door is level and plumb. (**Fig 11a and Fig 11b**)

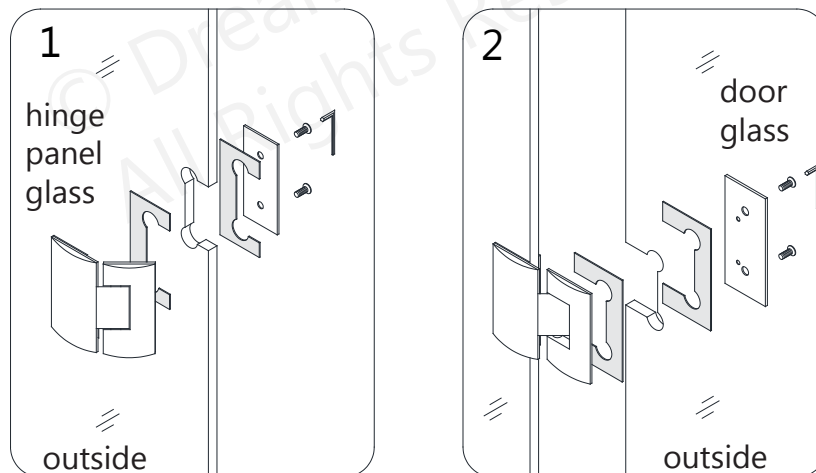


Fig 11a

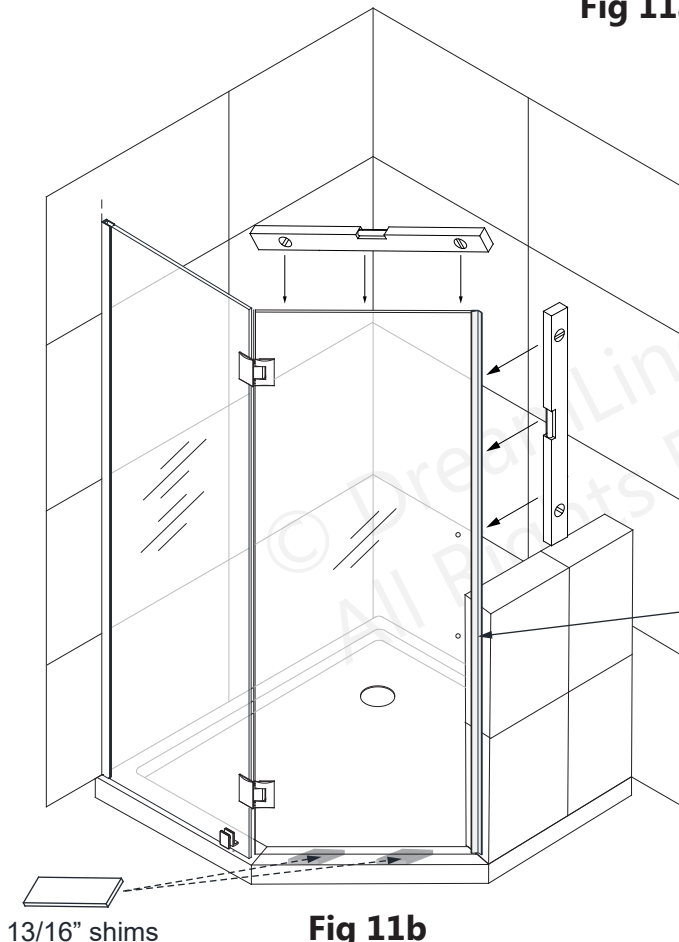


Fig 11b

135° Strike Vinyl w/VHB Tape (#05)
(Do not remove the paper backing yet)



NOTE: Protect the edge of the door glass to prevent contact with the buttress wall during alignment and installation.

12a. Measure the height of the **Buttress Return Panel Glass (#04)** as **(H)**. (**Fig 12a**)

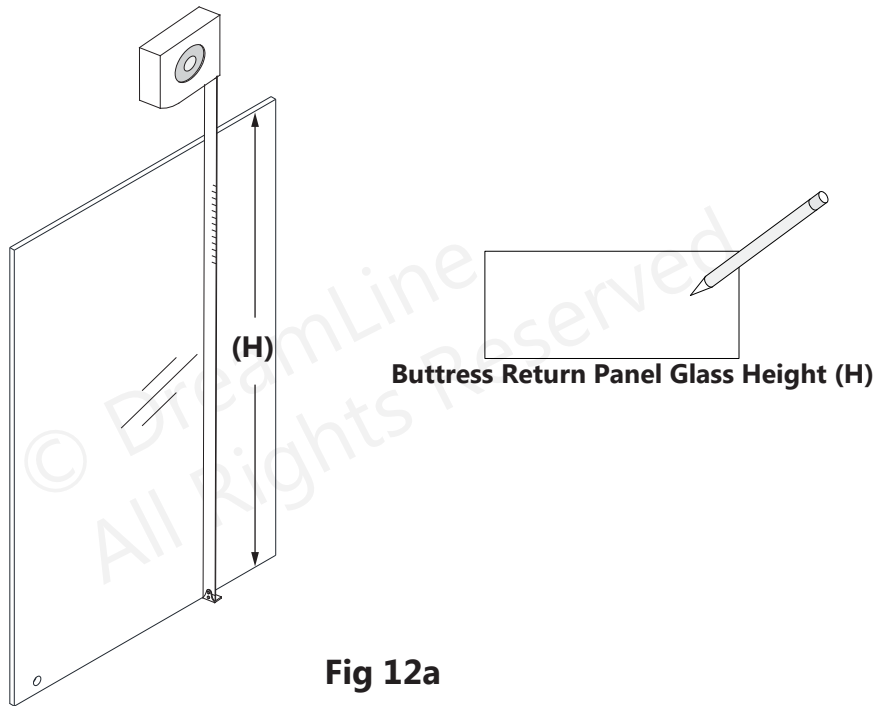
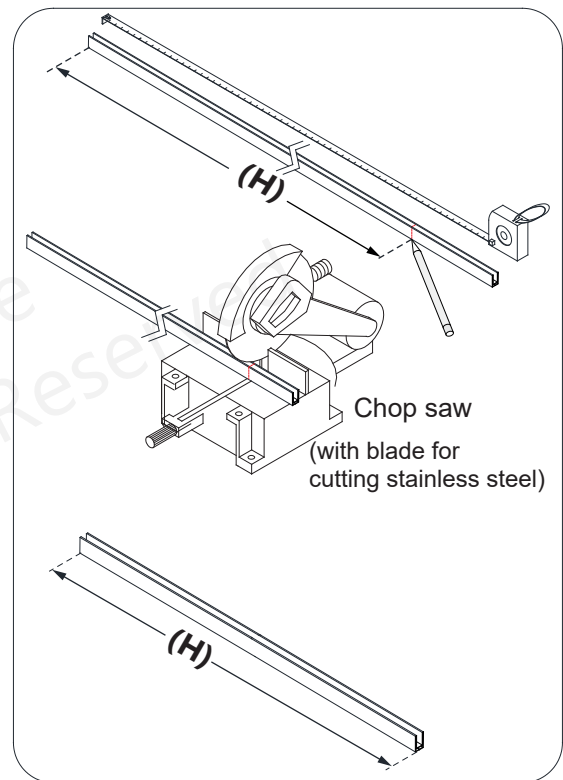


Fig 12a

12b. Use a chop saw (with the correct blade for cutting stainless steel) to cut the Vertical **U-Channel (#01)** to the **Buttress Return Panel Glass Height (H)**. (**Fig 12b**)



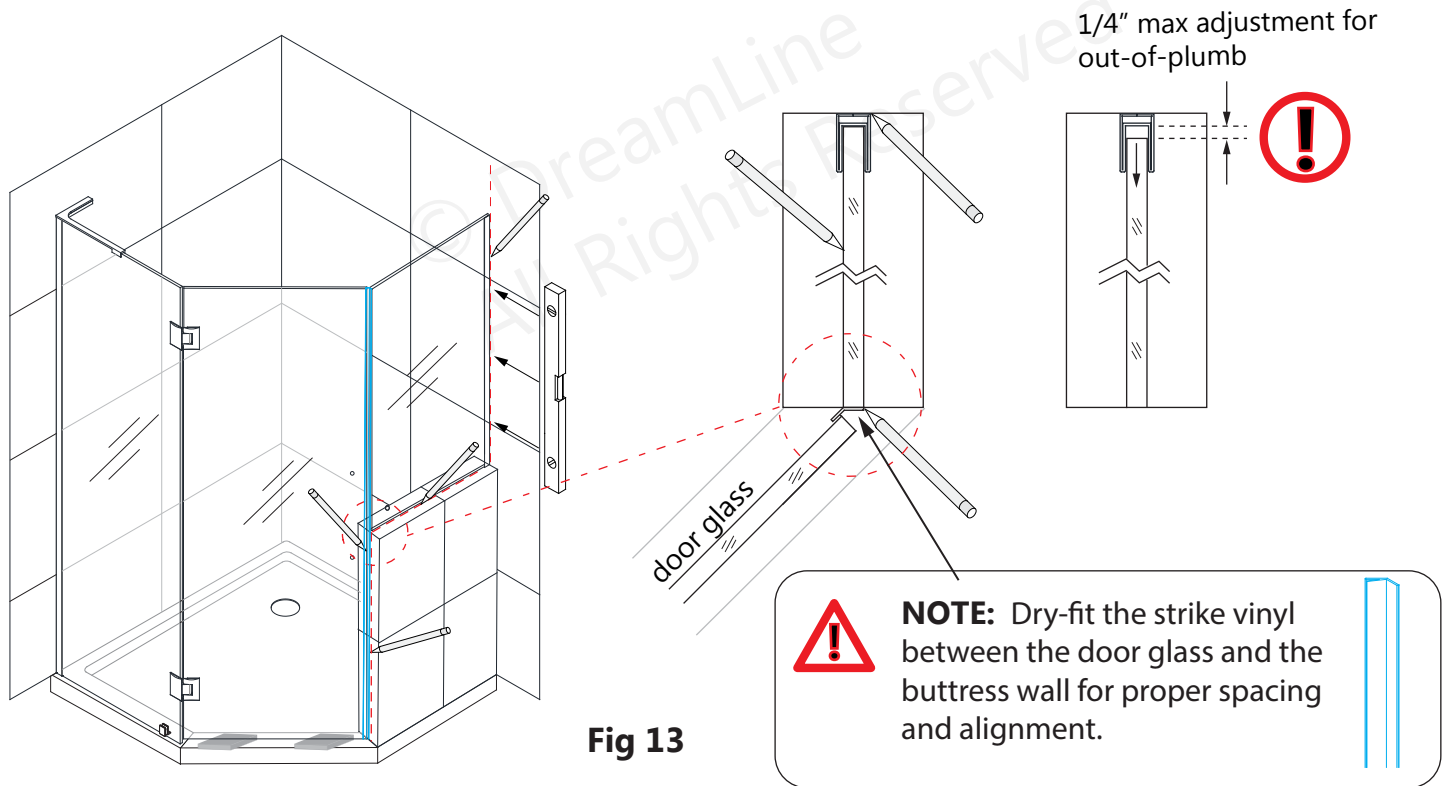
NOTE: Use a metal file to file off any burrs from the cut end of the U-Channel.



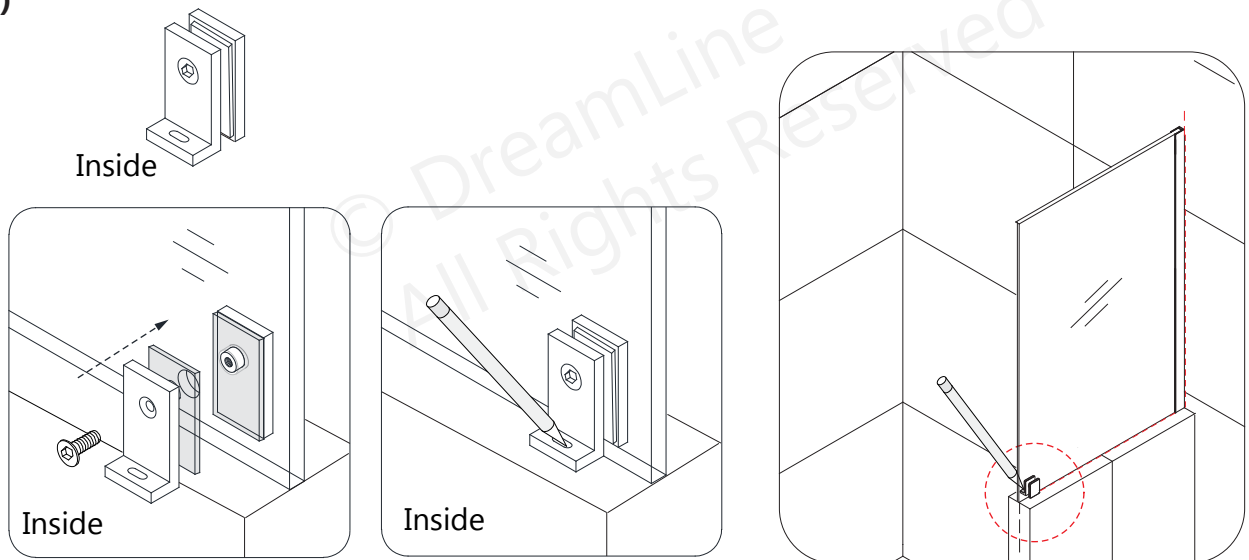
Fig 12b

13. Attach the **U-Channel (#01)** to the **Buttress Return Panel Glass (#04)**. Dry-fit the glass onto the buttress wall and align with the **Door Glass (#06)**. Adjust for level and plumb. If necessary, the **Buttress Return Panel Glass (#04)** can be pulled out of the U-Channel **1/4" max** to align flush with the end of the buttress wall. **Do not exceed 1/4" of adjustment!**

Dry-fit the **135° Strike Vinyl w/VHB Tape (#05)** (Do Not remove the VHB tape yet) to gauge the proper space between the **Door Glass (#06)**, the buttress wall and the **Buttress Return Panel Glass (#04)**. Use a level to plumb the **U-Channel (#01)** against the wall. Mark the u-channel position on the wall and along the edge of the glass on the top of the buttress wall. **(Fig 13)**



14. Assemble a **Bottom Bracket (#10)** through the hole at the bottom of the **Buttress Return Panel Glass (#04)**, with the attachment hole on the inside of the shower. Use the gaskets to prevent glass to metal contact. Mark the top of the buttress wall through the hole in the **Bottom Bracket (#10)**. **(Fig 14)**



15. Remove the **Buttress Return Panel Glass (#04)** and the **U-Channel (#03)**. Place the **U-Channel (#03)** against the plumb line on the wall and mark the holes for drilling through the pre-drilled holes. *Drill the holes using a **Ø5/16"** drill bit and insert the **Wall Anchors (#14)**. Apply a bead of silicone behind the U-Channel and attach it to the wall using the **ST4.2×40 Pan Head Screws (#13)**. **(Fig 15)**



***NOTE:** If there is a stud behind the wall, drill Ø3/16" holes up to the stud and do not use the anchors.

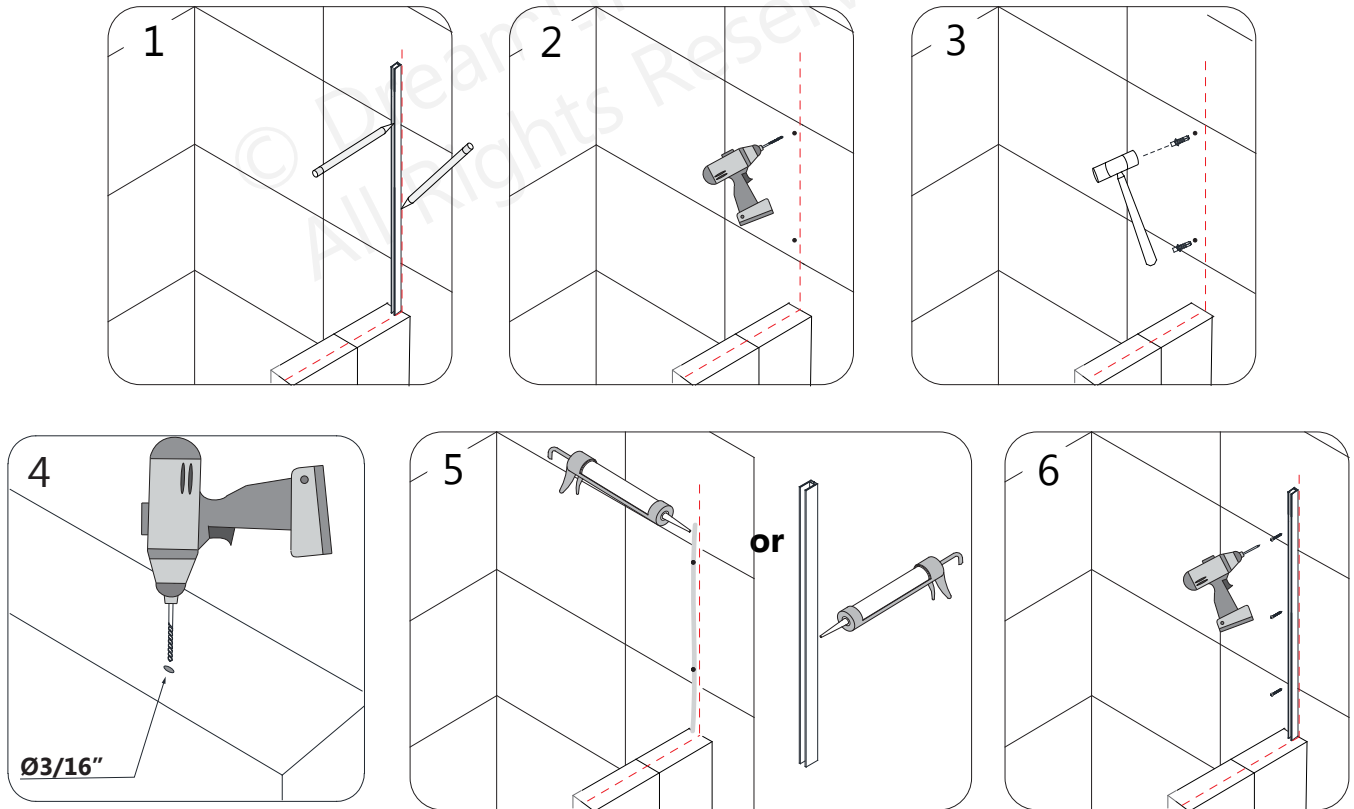


Fig 15

© DreamLine
All Rights Reserved

16. Add silicone to the inside of the installed **U-Channel (#01)**. Slide the **Buttress Return Panel Glass (#04)** back into the **U-Channel (#01)** and adjust the glass for level and plumb using the lines drawn in the previous step for reference. **(Fig 16)**



NOTE: Use caution not to damage the glass when setting it into place.

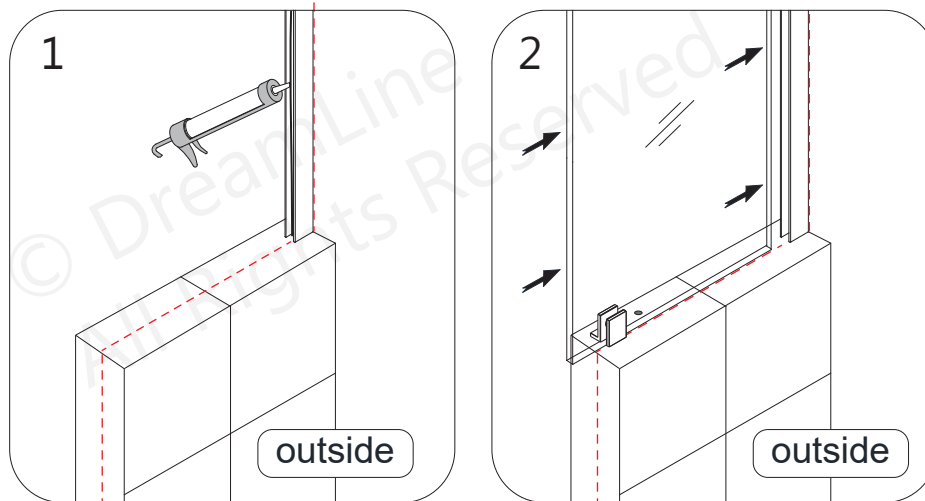


Fig 16

17. Fasten the **Bottom Bracket (#10)** to the buttress wall using an **ST4.2×25 Pan Head Screw (#09)** and **washer**. Cover the screw and washer with the **Decorative Covers (#10)**. **(Fig 17)**

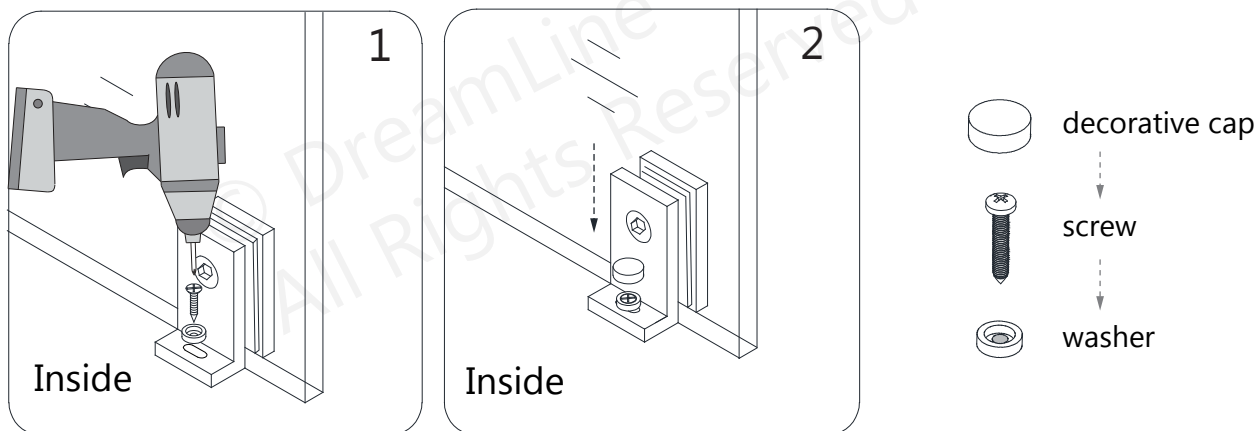


Fig 17

18. Install the **Handle (07)** onto the **Door Glass (#06)**.
(Fig 18)

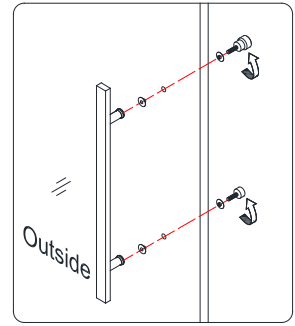


Fig 18

19. Remove the paper backing from the **135° Strike Vinyl w/VHB Tape (#05)** and press it firmly onto the vertical edge of the **Buttress Return Panel Glass (#04)** and the buttress wall along the plumb line drawn earlier. **(Fig 19)**



For best adhesion, allow the high bond tape to set up for **24 hours** before normal use.

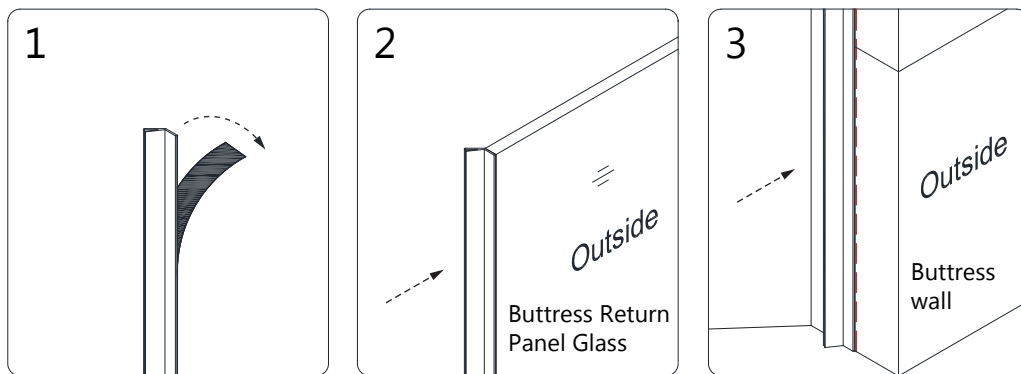


Fig 19

20. Press the **Sweep Vinyl (#08)** firmly onto the bottom edge of the **Door Glass (#06)** and close the door. From inside the shower, mark the inner aspect of the sweep where it overlaps the strike vinyl. Cut off approximately 3/8" and remove only the inner aspect of the **Sweep Vinyl (#08)** (See Fig 20.2). This will allow the door to close and seal evenly against the strike vinyl, without leaving any gaps. **(Fig 20)**

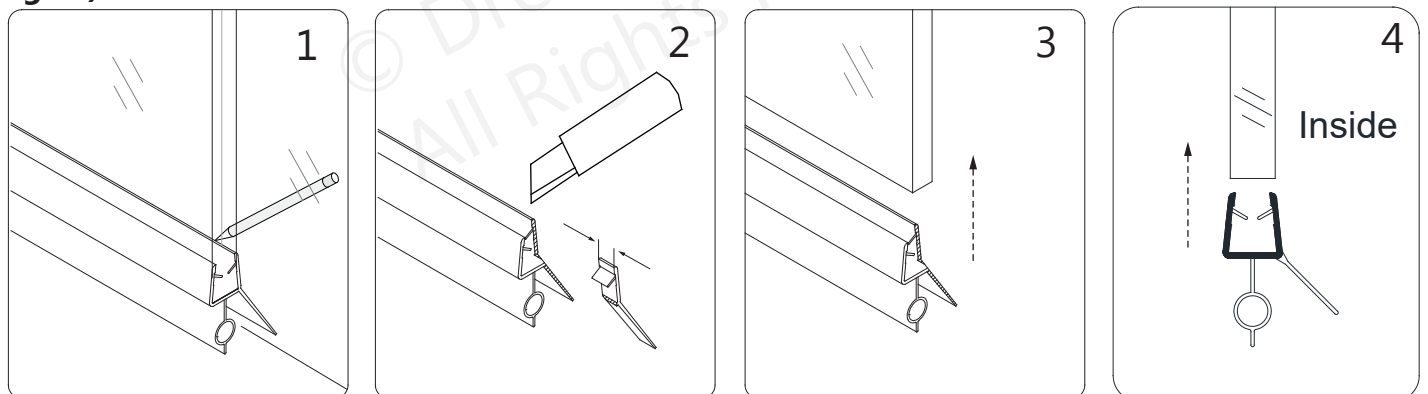


Fig 20

21. Trim and notch the **Hinge-Side Vinyl (#15)** around the hinges to provide maximum water proofing:

- From the top edge of the **Door Glass (#06)** to the top edge of the inner part of the **Hinge (#12)**; (**Fig 21.3**)
- Repeat this process between the top and bottom hinges
- Measure up from the surface of the shower base to the bottom of the inner part of the bottom hinge. Cut the **Hinge-Side Vinyl (#15)** according to these measurements. Notch the ends to fit into the hinges and also around the **Sweep Vinyl (#08)**. Fully press the cut strips onto the vertical edge of the **Door Glass (#06)**. (**Fig 21**)

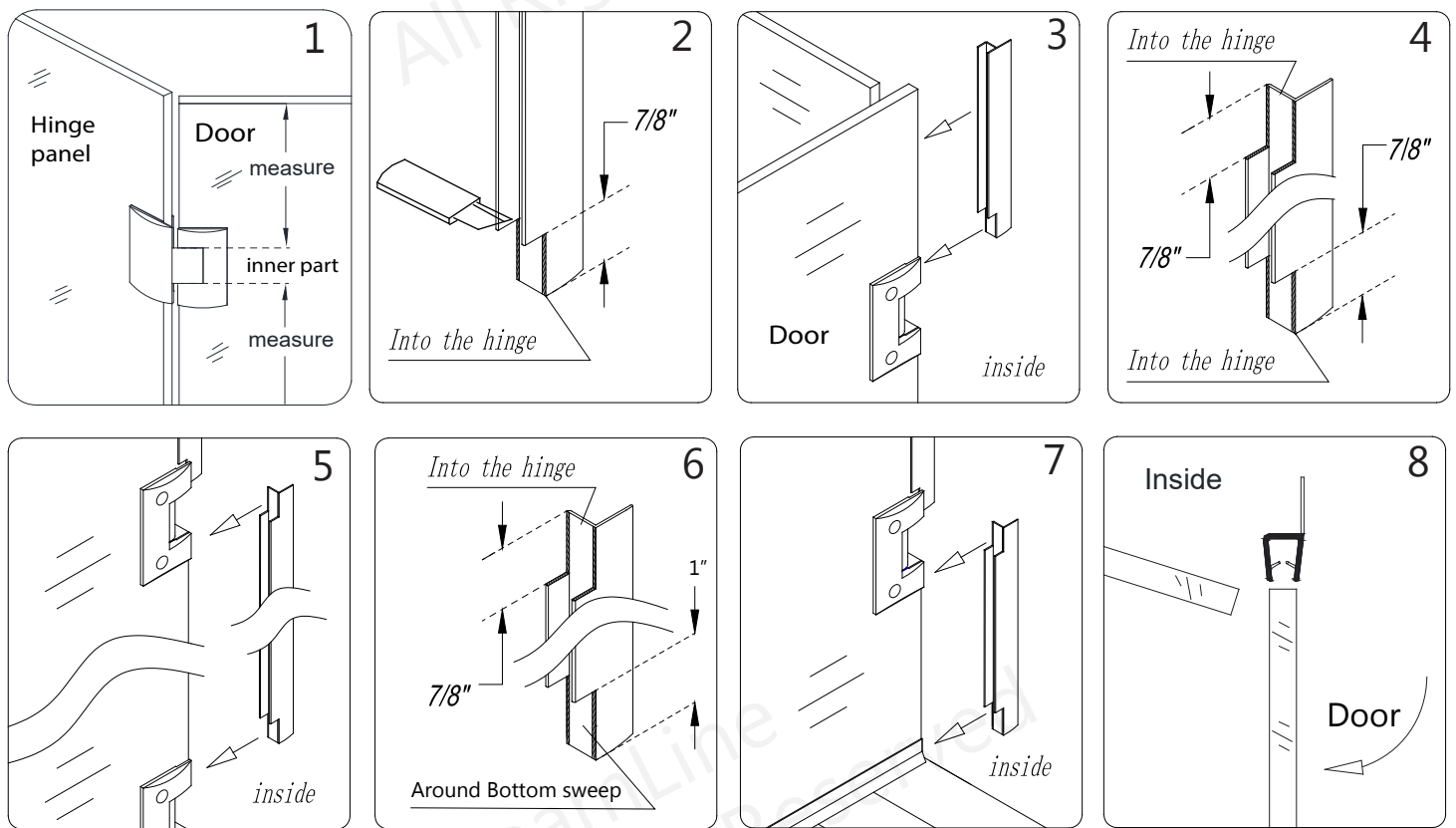


Fig 21

22. Apply a good quality mildew-resistant silicone along the interior perimeter where the stationary glass panels meet the walls and the shower base or buttress wall. **(Fig 22)**

NOTE: The surfaces need to be clean and free of debris before applying silicone.



Allow 24 hours for the silicone to cure before using the shower.

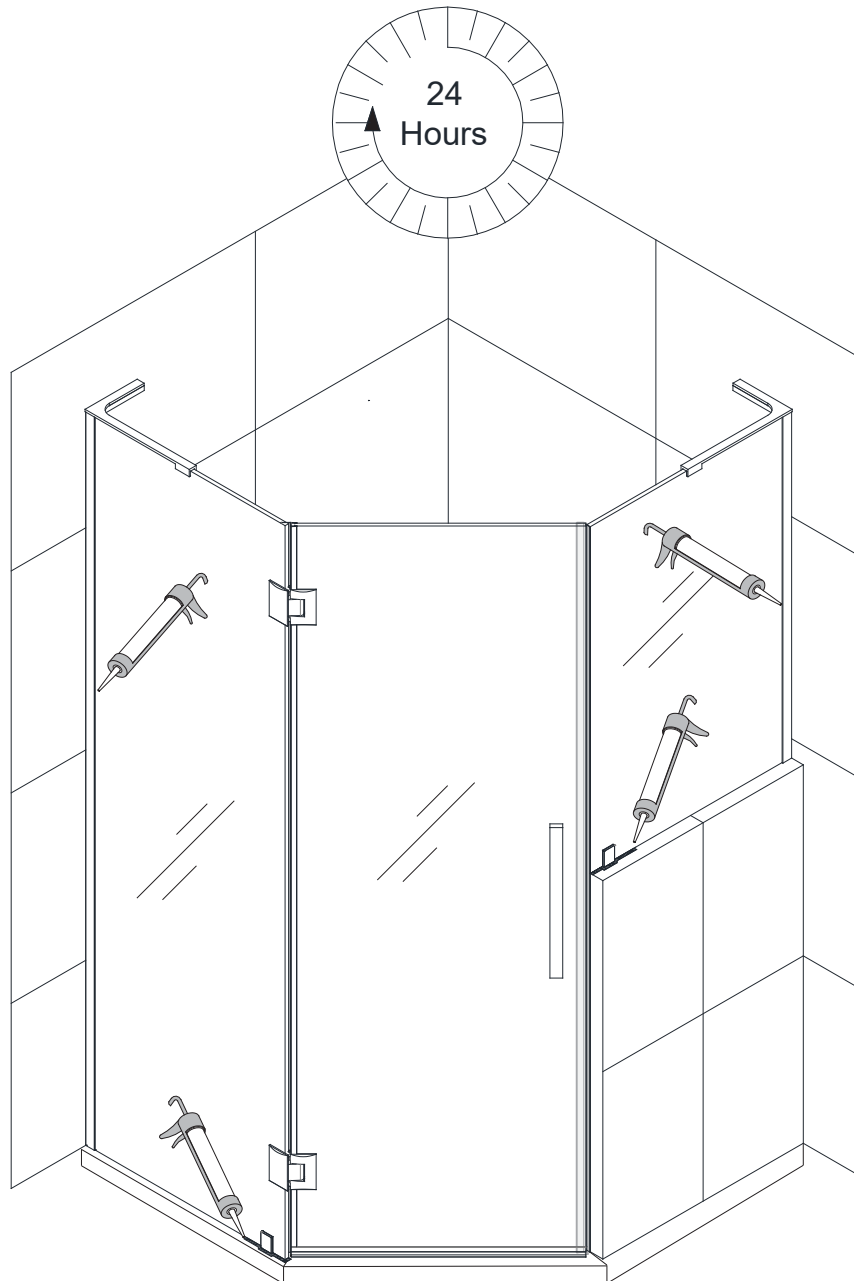
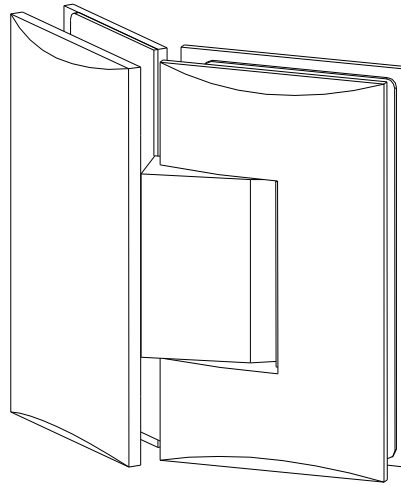


Fig 22

HG-PRS30A Adjustable Hinge Manual



Installation & Adjustment

1. Make sure the door glass is plumb and the edge of the hinge is installed flush with the glass edge. Tighten the faceplate screws. (Figure 1)

2. The hinges are set to overclose at 130° degrees. You can change this angle by using the adjustment screws on the hinge plate. (Figure 2)

3. Use the supplied Allen Key to loosen the adjustment screws on the hinge plate, adjust the door to the desired angle then tighten the adjustment screws. (Figure 3)

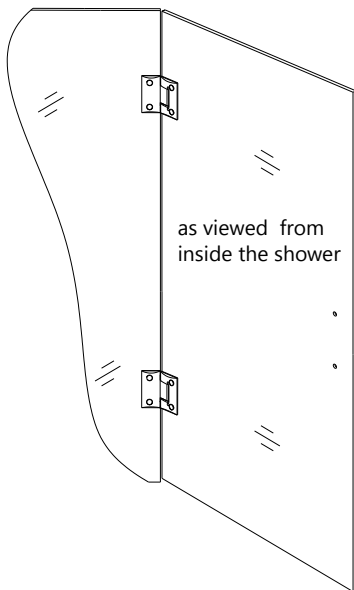


Figure 1

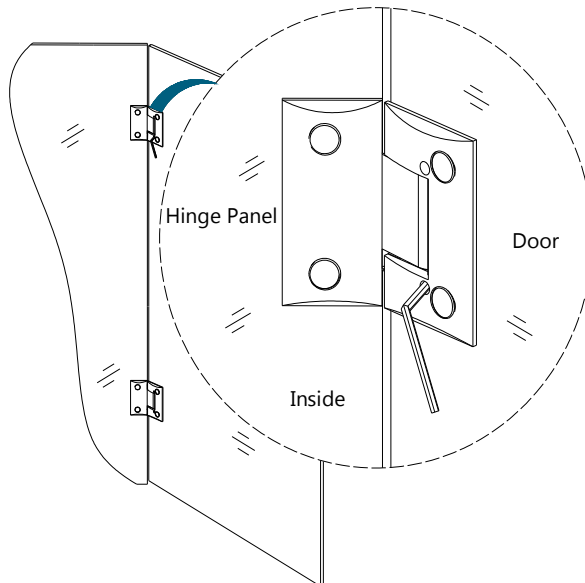


Figure 2

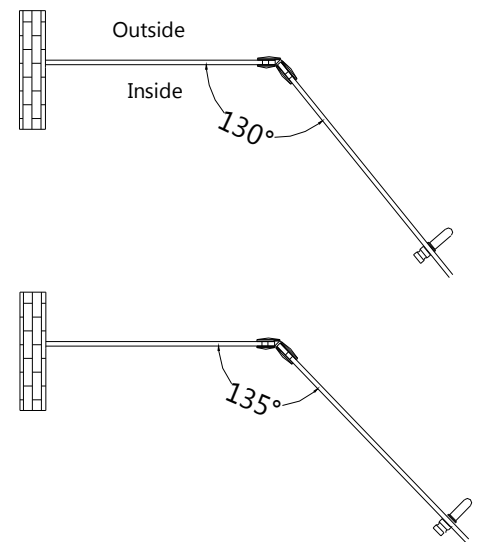


Figure 3

Safe Use & Daily Maintenance

- The overclose setting requires strike vinyl for the door to close against and seal.
- Use a soft cloth to clean the hinge surfaces. Do not use abrasives or acidic liquids as this will damage the finish.
- Use caution not to scratch the finished surfaces of the hinge during installation.

Product Maintenance

BASES and BACKWALLS: To ensure long lasting life for your acrylic back walls: wipe them off after each use with a soft cloth. To clean the acrylic back walls use non-abrasive sprays or cream based cleaners. Avoid the use of aerosol spray cleaners. Never use abrasive cleansers, metal brushes or scrapers that could scratch or dull the surface.

GLASS: To ensure long lasting life for your glass shower products: wipe them off after each use with a soft cloth. Rinse and wipe off the glass using either a soft cloth or a squeegee to prevent soap buildup and water spots (Hard water can etch the surface of the glass over time if left to dry). To prevent scratching the surface: never use abrasive cleaners or cleaning products that contain scouring agents. Never use bristle brushes or abrasive sponges that may scratch the surface.

HARDWARE: To ensure a long lasting finish: wipe off the metal parts after each use with a soft cloth. Do not use abrasive cleaners or cleaning products containing ammonia, bleach or acid. If accidentally used, rinse the surface as soon as possible to prevent damage to the finish (peeling or corrosion). After cleaning the polished finishes, rinse thoroughly and wipe dry with soft cloth. Clean stainless steel surfaces at least once a week. When applying stainless steel cleaner or polish to stainless steel hardware, work with (not across) the grain. Never use an abrasive sponge or cloth, steel wool or wired brush as these may permanently scratch the surfaces.

NOTE: To maximize the life of your door, it is important to regularly inspect the glass and all hardware for misalignment, proper attachment, and/or damage. Contact DreamLine with any questions or concerns.

PRISM PLUS Maintenance Checklist

- Inspect the **Hinges**
- Inspect the **Bottom Brackets**
- Inspect for **Proper clearance** between the door glass and the threshold
- Inspect for **Proper clearance** between the door glass and the return panel glass
- Inspect the **L-Bars™**
- Inspect the **Handle** - tighten if loose
- Inspect the **edges of the door glass** and **panel glass** for concealed damage
 - o **Damaged glass must be replaced!**
- Inspect and replace silicone as necessary to prevent leakage

Factory Parts Information

E264072-## / PRISM PLUS wBUTTRESS / 40 x 40		FACTORY PARTS INFORMATION	
ITEM #	FACTORY PART NUMBER	ITEM DESCRIPTION	QTY
01	07121057 / 07124057 / 07126057 / 07129057	U-Channel 1" SS for 10mm (3/8in) Glass	2 pcs
02	014352024	Hinge Panel Glass	1 pc
04	014352036	Buttress Panel Glass	1 pc
05	063005000-1829	135 Degree Strike Vinyl with VHB tape	1 pc
06	041352026	Door Glass	1 pc
07	07221004 / 07224004 / 07226004 / 07229004	Rectangular Single Sided Handle with Knob for 10mm (3/8in) Glass	1 pc
08	063066100-0610	Bottom Sweep Vinyl for 10mm (3/8in) Glass	1 pc
09	07121048 / 07124048 / 07126048 / 07129048	L-Bar Support Bracket Left 12in for 10mm (3/8in) Glass	1 pc
10	07011002 / 07014002 / 07016002 / 07019002	Bottom Glass Bracket Exposed Screw for 10mm (3/8in) Glass	2 pcs
11	07121049 / 07124049 / 07126049 / 07129049	L-Bar Support Bracket Right 12in for 10mm (3/8in) Glass	1 pc
12	07411008 / 07414008 / 07416008 / 07419008	130 Degree Glass-to-Glass Hinge Assembly for 10mm (3/8in) Glass	2 pcs
13	091107	ST4.0 x 40mm Pan Head Screw	8 pcs
14	07552148	Wall Anchor 8mm (5/16in)	8 pcs
15	063014100-1829	Vinyl Seal with Flexible Fin for 10mm (3/8in) glass	1 pc
16	091104	ST4.0 x 25mm Pan Head Screw	2 pcs
17	07551011 / 07554011 / 07556011 / 07559011	Decorative Cover and Washer	2 pcs
---	098003	Allen Wrench 3mm	1 pc
---	098004	Allen Wrench 4mm	1 pc
		BOLD digit indicates finish: 1 = Chrome; 4= Brushed Nickel; 06=ORB; 09=Satin Black	

© DreamLine
All Rights Reserved



© DreamLine
All Rights Reserved

TEL: 866-731-2244
FAX: 866-857-3638
DREAMLINE.COM

For more information on DreamLine® Shower Doors and Enclosures please visit **DreamLine.com**