

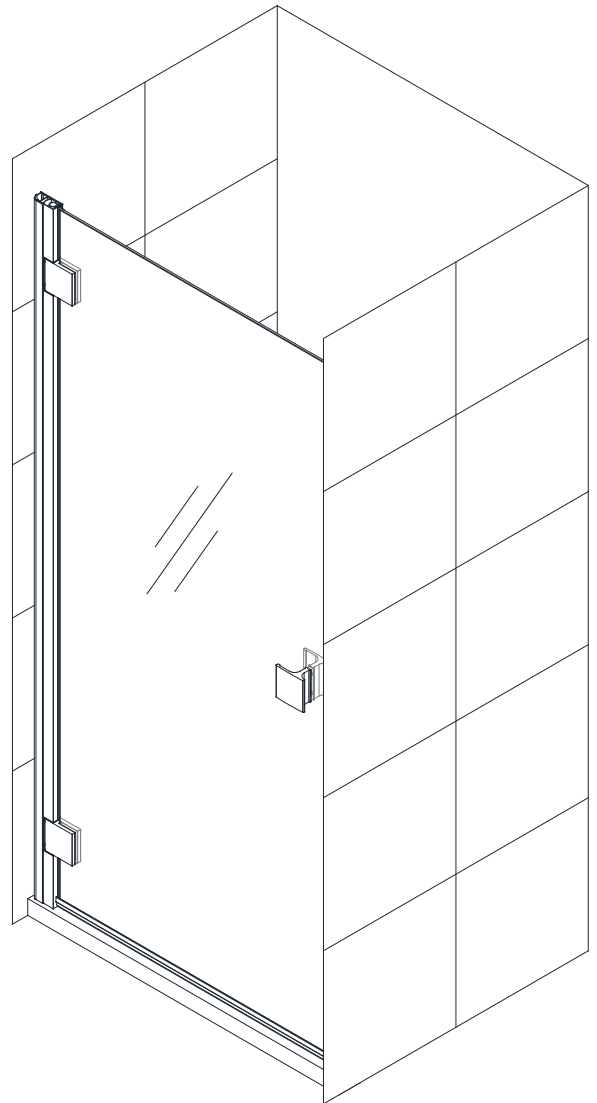
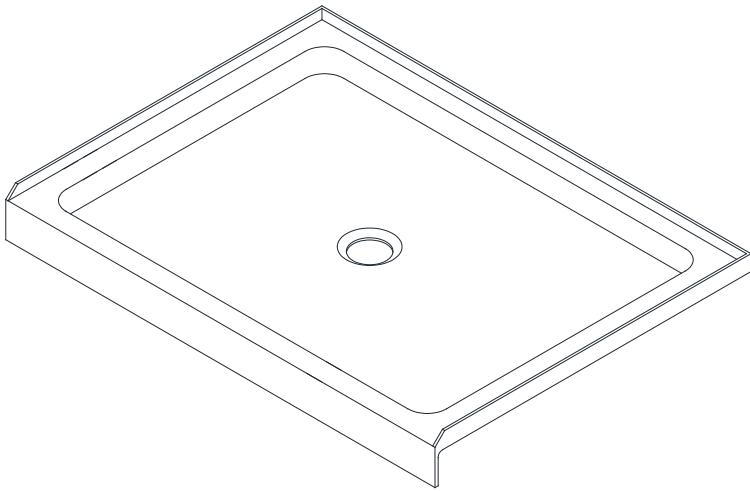


Lumen Shower Door & Base

SHOWER DOOR AND BASE INSTALLATION INSTRUCTIONS

IMPORTANT

DreamLine® reserves the right to alter, modify or redesign products at any time without prior notice. For the latest up-to-date technical drawings, manuals, warranty information or additional details please refer to your model's web page on DreamLine.com



STEP 1: Shower Base Installation Instructions

STEP 2: Shower Door Installation Instructions



Questions?

Please Call *DreamLine* Customer Support: **1-855-831-2126**
Hours of Operation M-F 8AM - 7PM EST and Saturday 9AM - 5PM EST

Support@DreamLine.com



For more information about DreamLine® Shower Doors, Tub Doors & Enclosures, please visit DreamLine.com

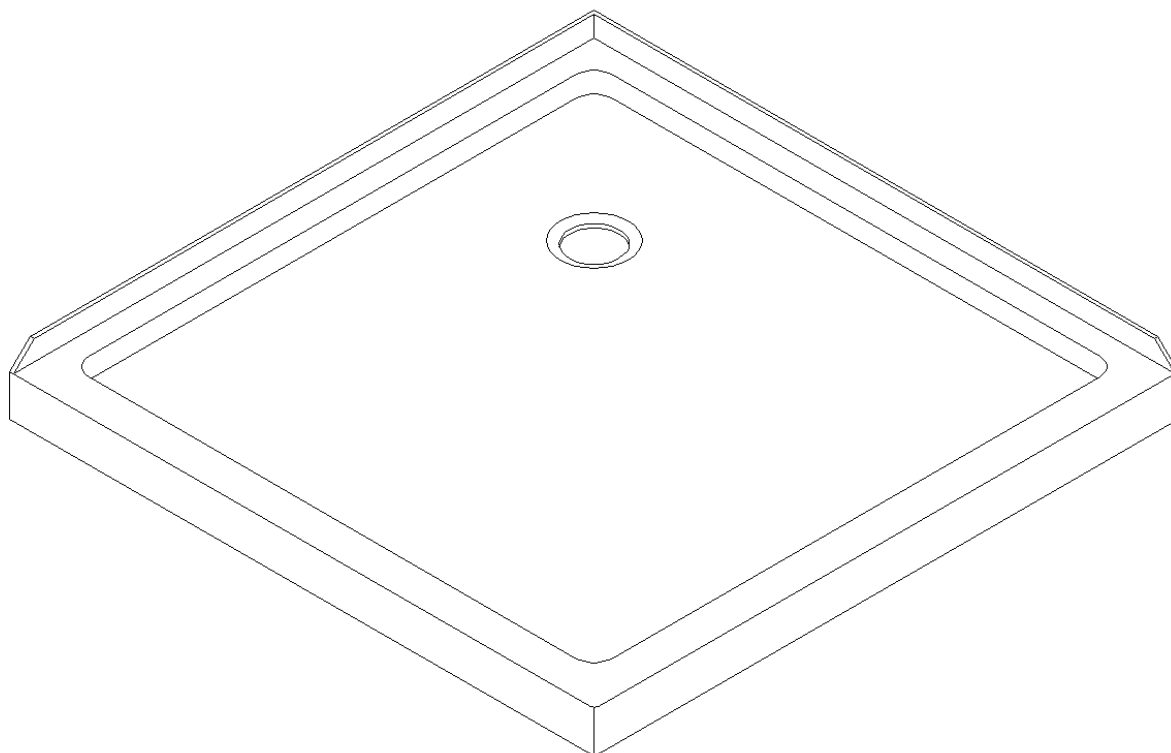


SLIMLINE SHOWER BASE

SHOWER BASE DIMENSIONS AND INSTALLATION INSTRUCTIONS

IMPORTANT

DreamLine® reserves the right to alter, modify or redesign products at any time without prior notice for the purpose of product improvement and customer experience. Please refer to the model's web page on **DreamLine.com** for the latest technical drawings, installation manuals, warranty information or additional product details.



Double Threshold Shower Base with Corner Drain Configuration shown as an example

- Color options:**
--- - White
-22- Biscuit
-88- Black

Please review this entire manual before beginning installation



Questions?

Please Call **DreamLine Customer Support: 1-855-831-2126**
Hours of Operation M-F 8AM - 7PM EST and Saturday 9AM - 5PM EST

Support@DreamLine.com



For more information about DreamLine® products please visit DreamLine.com

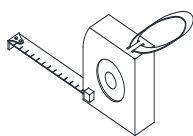
Preparation

1. Prior to installation, examine all boxes and packages for shipping damage and compare the piece count with your packing slip. After opening all boxes and packages read this introduction carefully. Check that all of the parts are included in the package by checking off the components on the parts list. If the unit has been damaged, has a finishing defect, or has missing parts, please contact our customer support department within **3 business days** of the delivery date. Please note that **DreamLine® will not replace any damaged products or missing parts free of charge after 3 business days or if the product has been installed.** Please contact DreamLine® if with any questions and please provide an order number, job name or other proof of purchase to help identify the original order.
2. Install all of the required plumbing and drainage before installing the shower base. **Use a competent and licensed (if required by local code) plumber for all plumbing installation.**
3. **Shower bases must be installed by a licensed plumber. Please note that you should consult your local building codes with questions on installation compliance standards. Building and plumbing codes may vary by location and DreamLine® is not responsible for code compliance standards for your project.**
4. Make sure that prior to the installation the installation surface is leveled and solid and will be able to support the total weight of the unit. Also make sure the walls are at right angles. While some adjustment in leveling of the tray is possible, irregular installation surface level or improper angle of side walls will result in serious problems for your installation. Please note that some adjustments may be necessary during the installation process.
5. **Center drain configurations are centered on the width only. See technical drawing tables for drain locations.**
6. **Drain not included with this product.** The drain opening is 3-3/8" in diameter and **accepts a standard 2" compression fitted drain.**

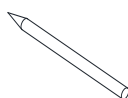
IMPORTANT NOTE:

Dimensions provided are for reference only. Measure the actual shower tray before installation. This includes overall dimensions and drain location. Allowed tolerance for center of the drain is +/-1/2".

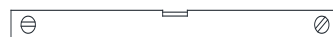
Tools Required



Tape
Measure



Pencil



Level

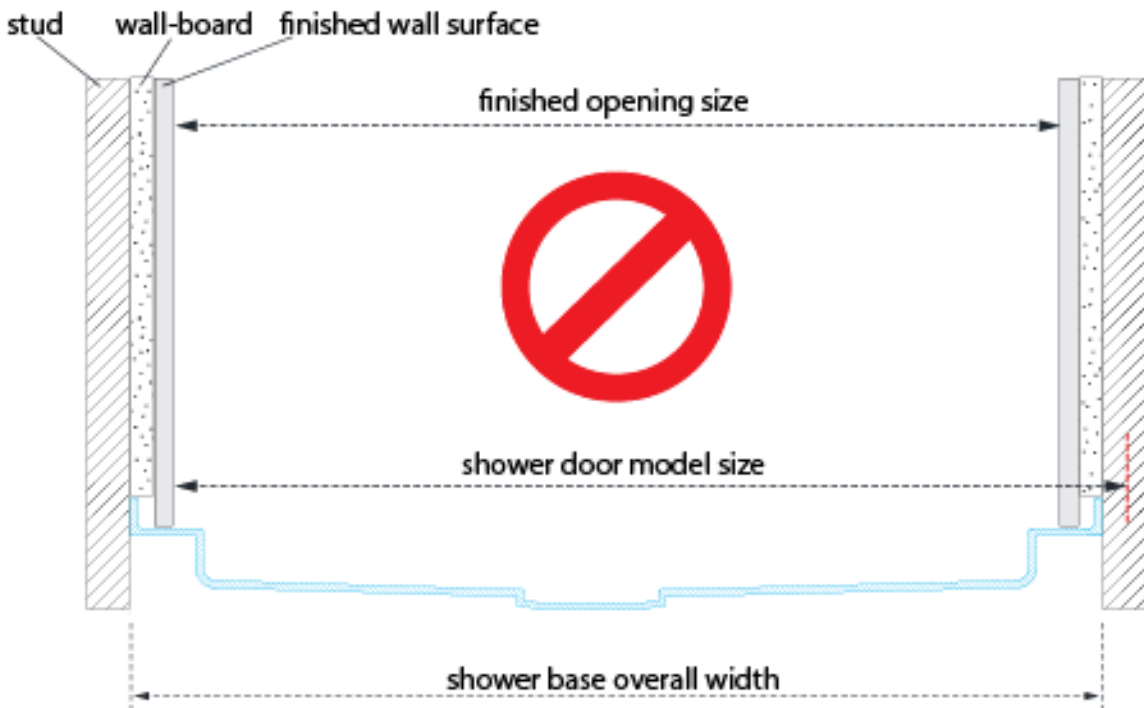
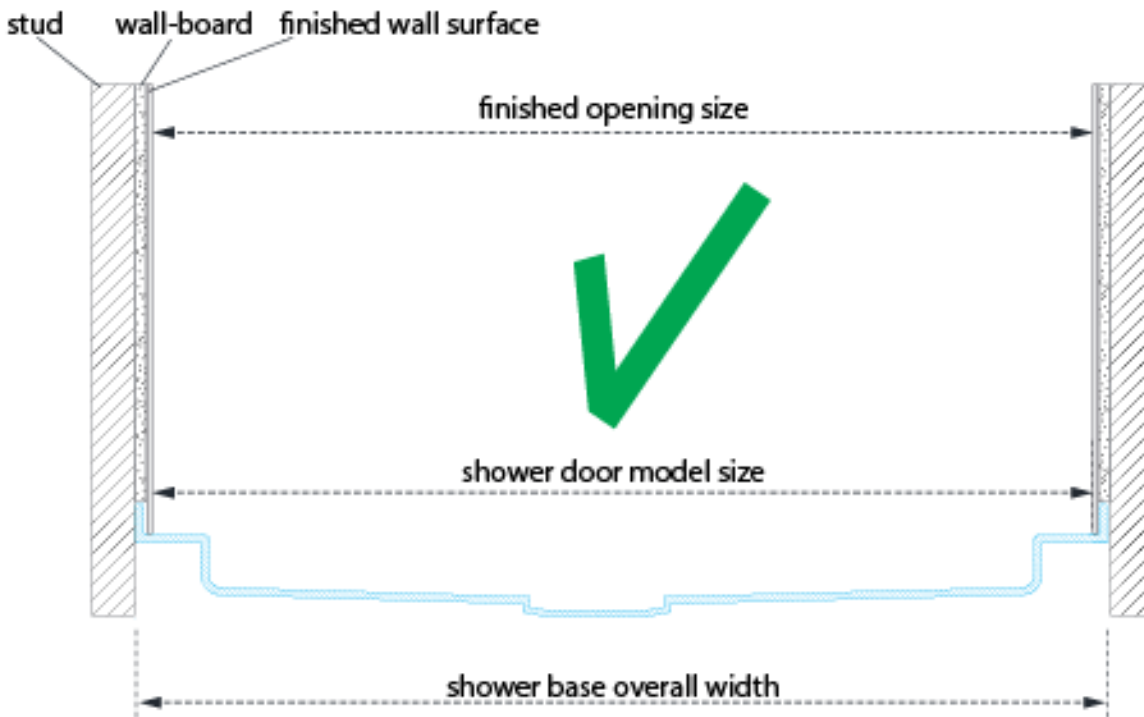


Mortar



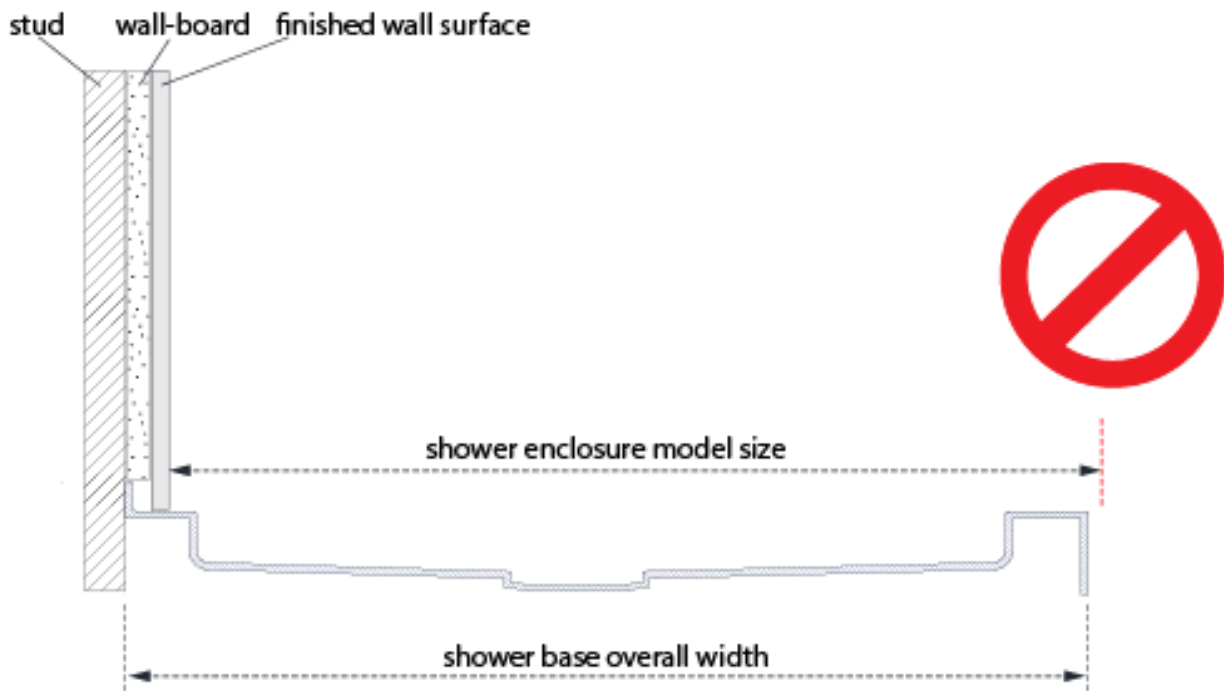
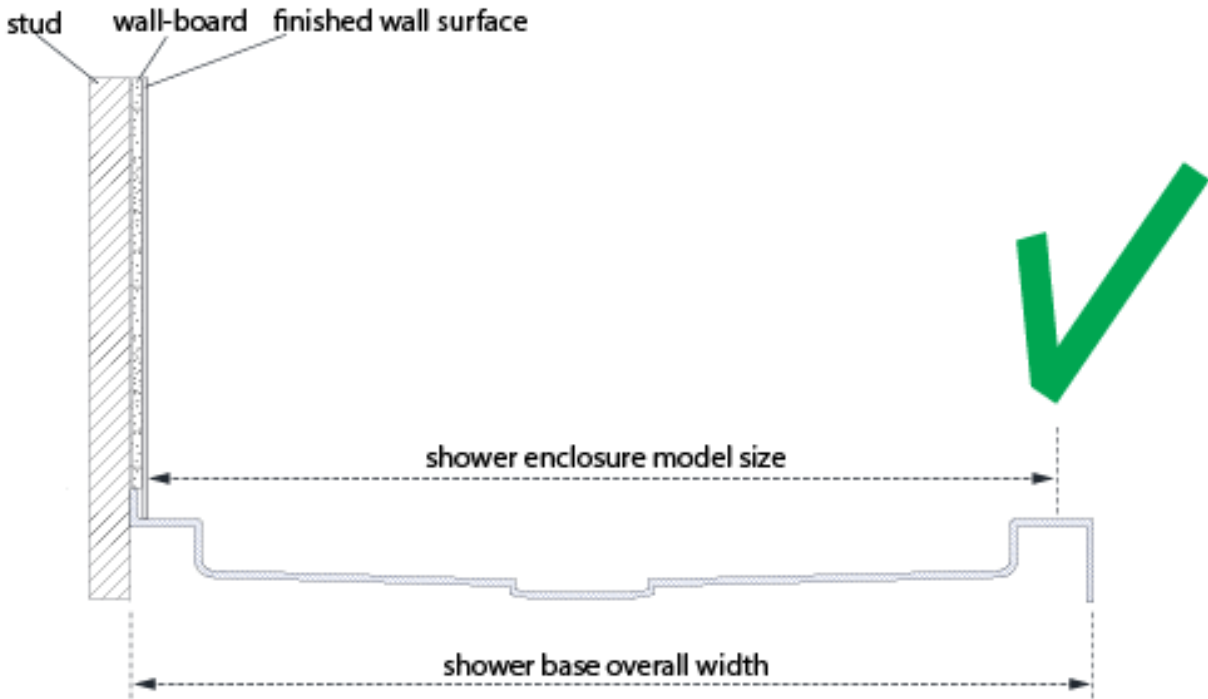
When constructing or installing a shower base, consider how **the thickness of the wall treatment (wallboard, tile, etc.) will affect the finished opening size for the shower door.**

Compare the overall dimensions of the shower door model with the finished opening size before proceeding with the installation.



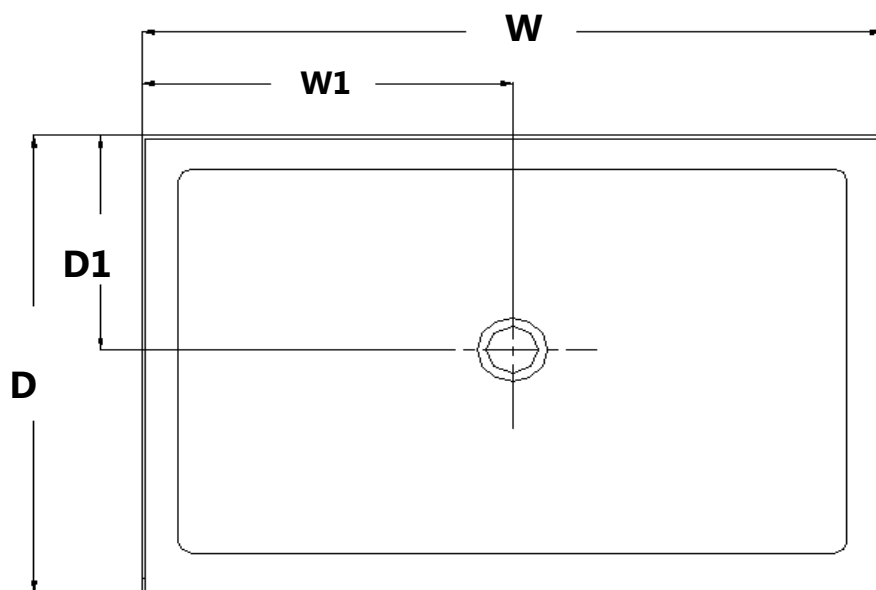
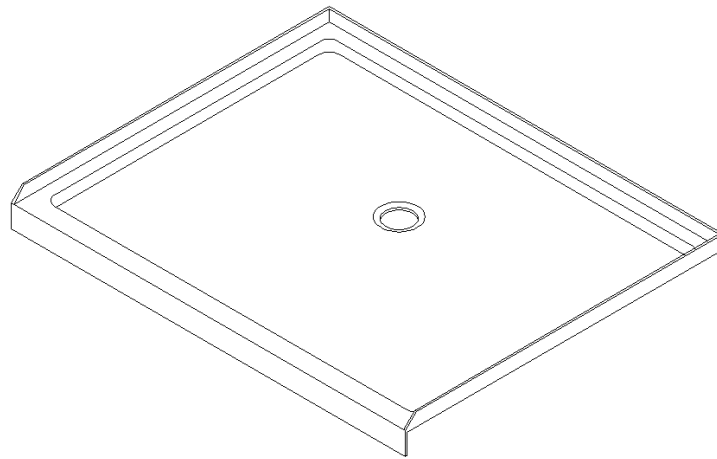


When constructing or installing a shower base, consider how **the thickness of the wall treatment (wallboard, tile, etc.) will affect where the shower enclosure will sit on the threshold.** Compare the overall outside dimensions of the shower enclosure model size with the finished threshold before proceeding with the installation.



SINGLE THRESHOLD SHOWER BASE

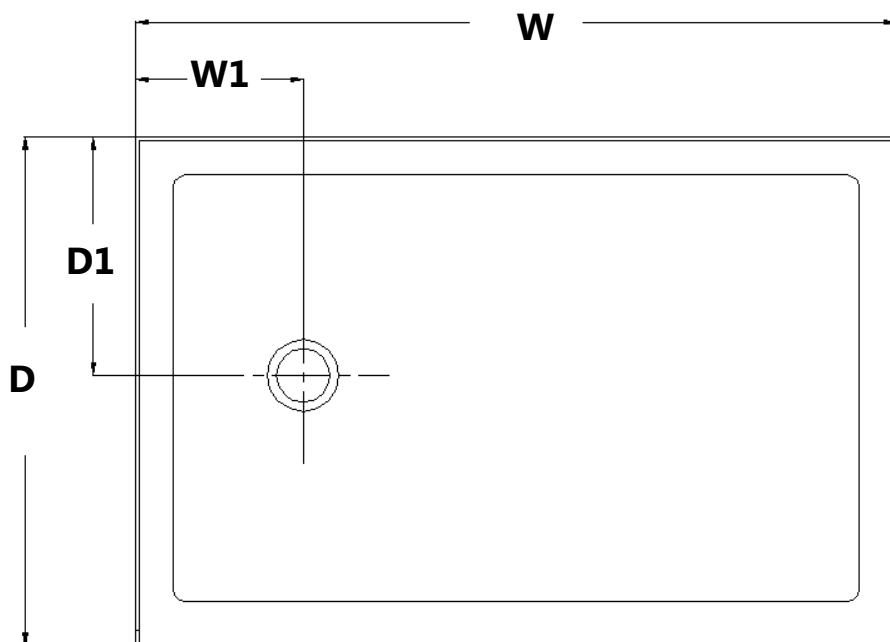
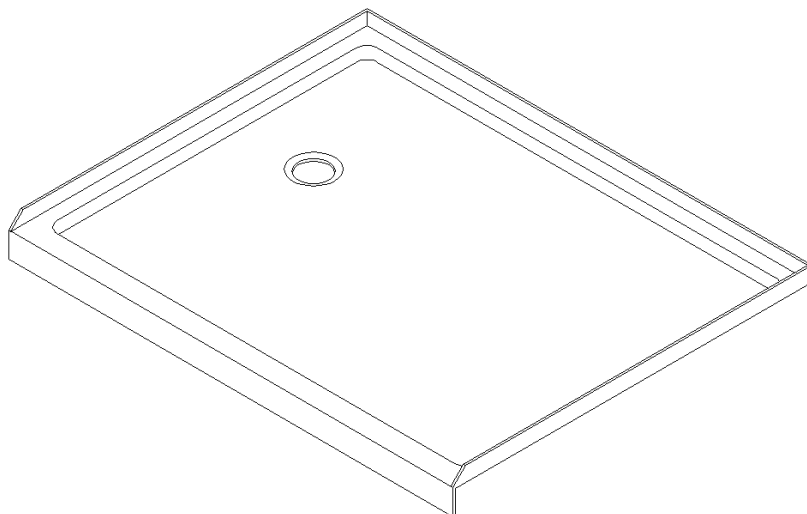
Center Drain Configuration



MODEL	SPECIFICATION	D (in)	W (in)	D1 (in)	W1 (in)
DLT-1132320	32" x 32"	32"	32"	15"	16"
DLT-1136360	36" x 36"	36"	36"	15"	18"
DLT-1132420	32" x 42"	32"	42"	15"	21"
DLT-1134420	34" x 42"	34"	42"	15"	21"
DLT-1136420	36" x 42"	36"	42"	15"	21"
DLT-1142420	42" x 42"	42"	42"	20"	21"
DLT-1132480	32" x 48"	32"	48"	15"	24"
DLT-1134480	34" x 48"	34"	48"	15"	24"
DLT-1136480	36" x 48"	36"	48"	15"	24"
DLT-1132540	32" x 54"	32"	54"	15"	27"
DLT-1134540	34" x 54"	34"	54"	15"	27"
DLT-1136540	36" x 54"	36"	54"	15"	27"
DLT-1130600	30" x 60"	30"	60"	15"	30"
DLT-1132600	32" x 60"	32"	60"	15"	30"
DLT-1134600	34" x 60"	34"	60"	15"	30"
DLT-1136600	36" x 60"	36"	60"	15"	30"

SINGLE THRESHOLD SHOWER BASE

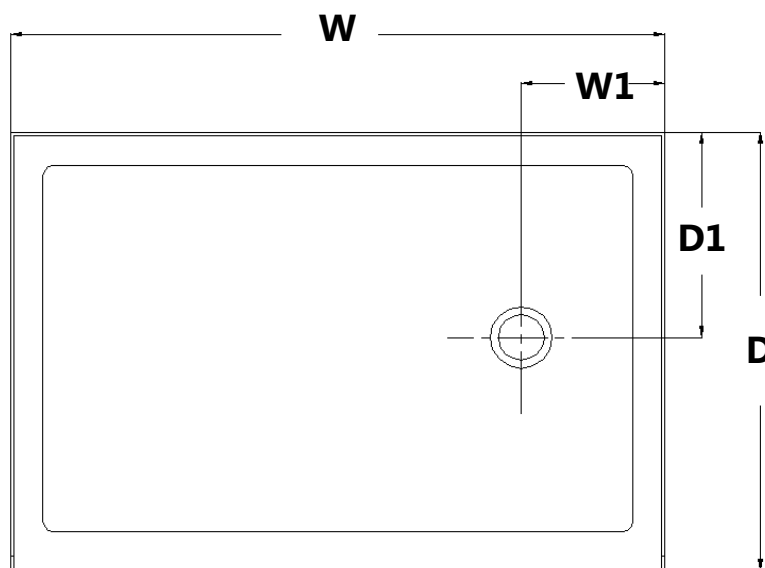
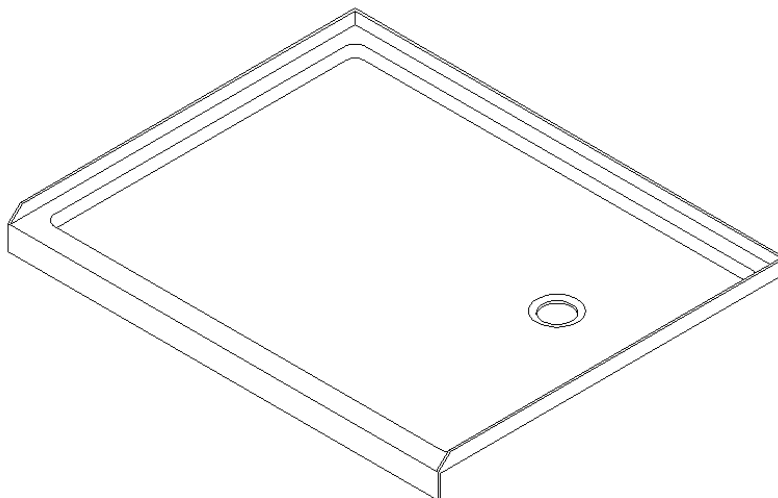
Left-Hand Drain Configuration



MODEL	SPECIFICATION	D (in)	W (in)	D1 (in)	W1 (in)
DLT-1130601	30"×60"	30"	60"	15"	12"
DLT-1132601	32"×60"	32"	60"	15"	12"
DLT-1134601	34"×60"	34"	60"	17"	12"
DLT-1136601	36"×60"	36"	60"	18"	12"

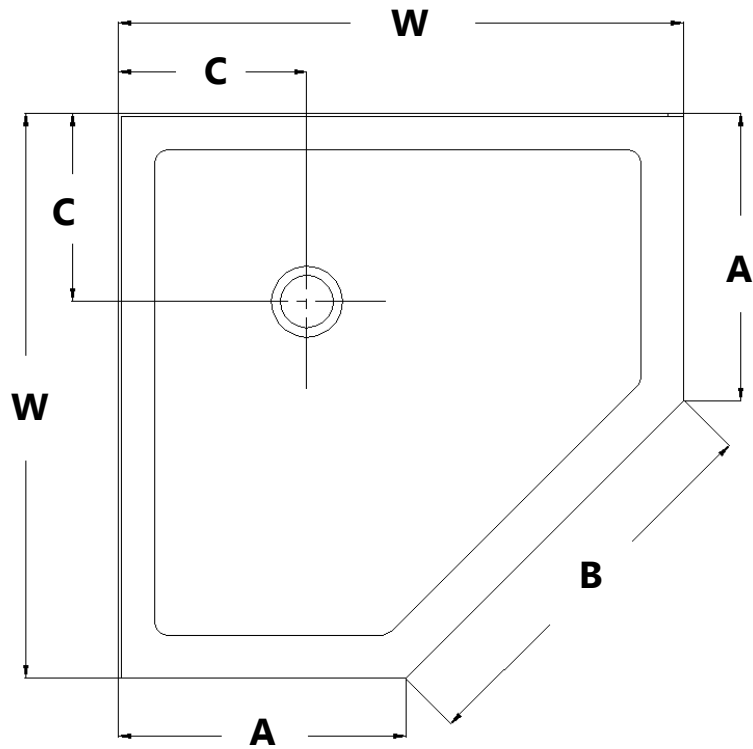
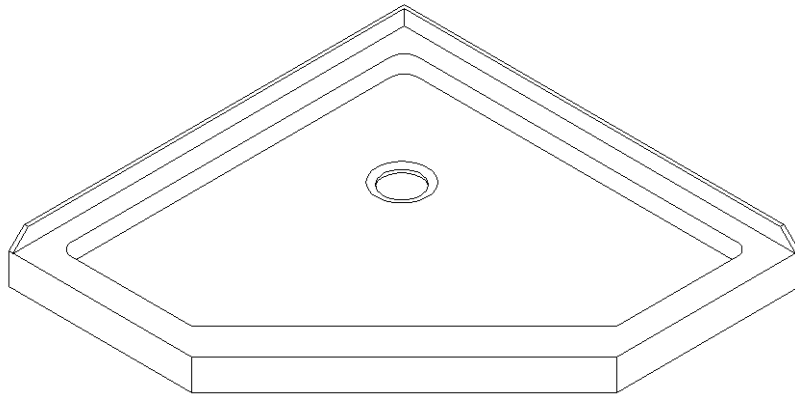
SINGLE THRESHOLD SHOWER BASE

Right-Hand Drain Configuration



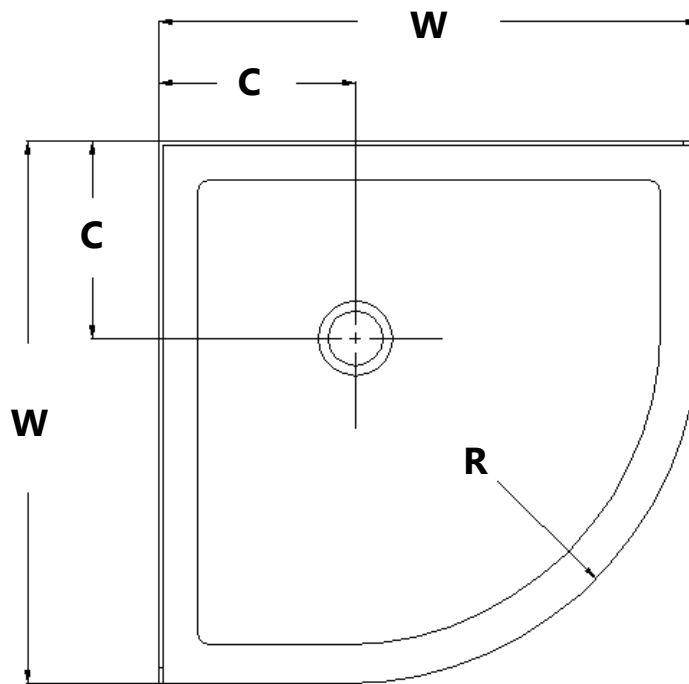
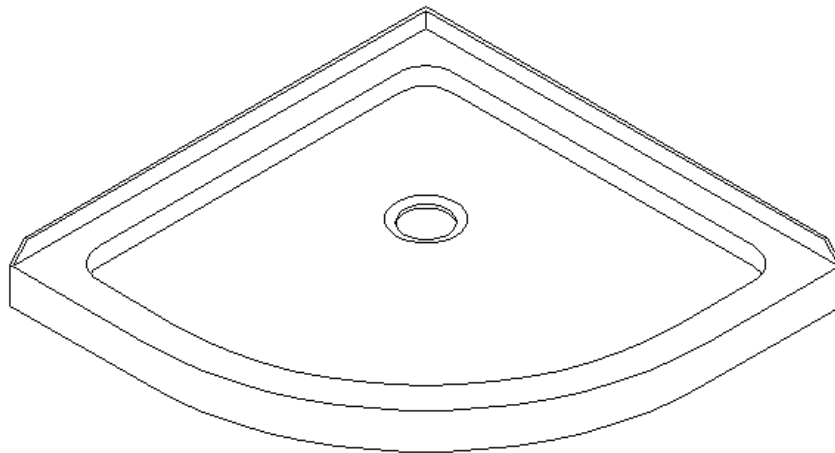
MODEL	SPECIFICATION	D (in)	W (in)	D1 (in)	W1 (in)
DLT-1130602	30"×60"	30"	60"	15"	12"
DLT-1132602	32"×60"	32"	60"	15"	12"
DLT-1134602	34"×60"	34"	60"	17"	12"
DLT-1136602	36"×60"	36"	60"	18"	12"

NEO ANGLE SHOWER BASE



MODEL	SPECIFICATION	W (in)	A (in)	B (in)	C (in)
DLT-2036360	36"×36"	36"	18 5/16"	25"	12"
DLT-2038380	38"×38"	38"	20 5/16"	25"	12"
DLT-2040400	40"×40"	40"	22 5/16"	25"	14 3/8"
DLT-2042420	42"×42"	42"	24 5/16"	25"	14 3/8"

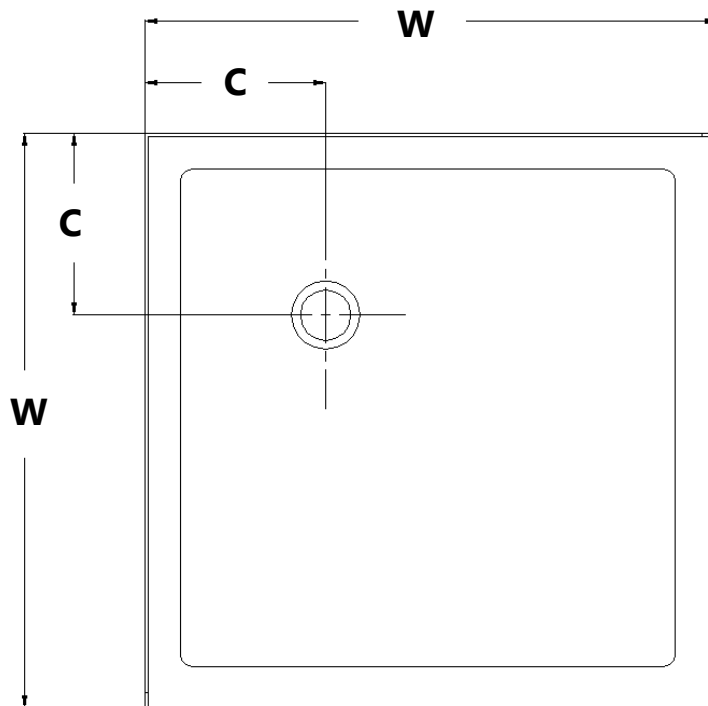
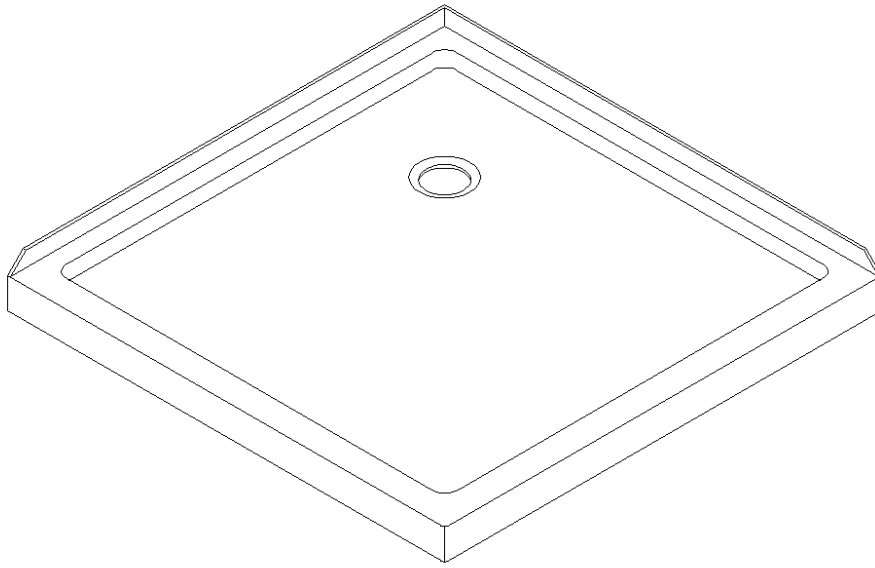
QUARTER ROUND SHOWER BASE



MODEL	SPECIFICATION	W (in)	C (in)	R (in)
DLT-7033330	33"×33"	33"	12"	21 5/8"
DLT-7036360	36"×36"	36"	12"	21 5/8"
DLT-7038380	38"×38"	38"	12"	21 5/8"

DOUBLE THRESHOLD SHOWER BASE

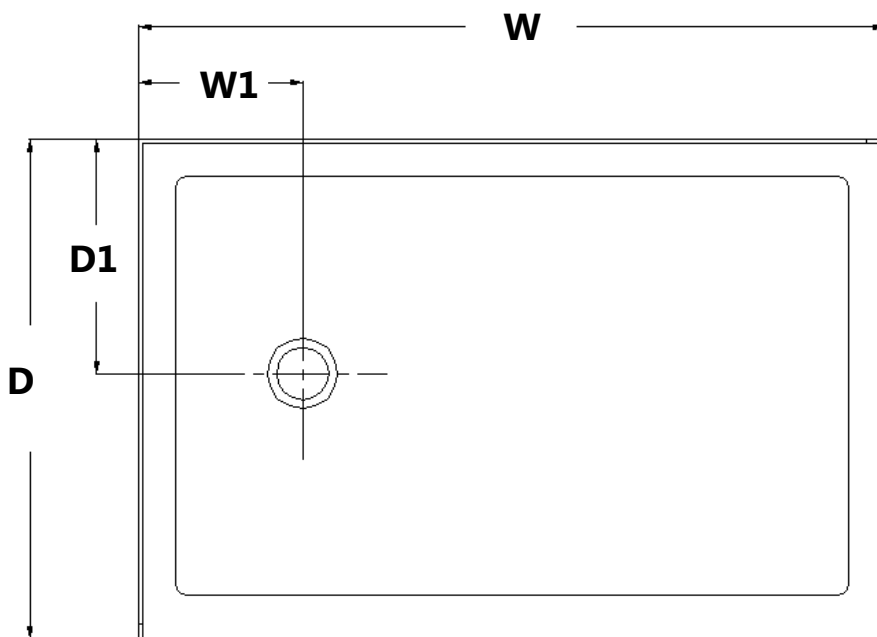
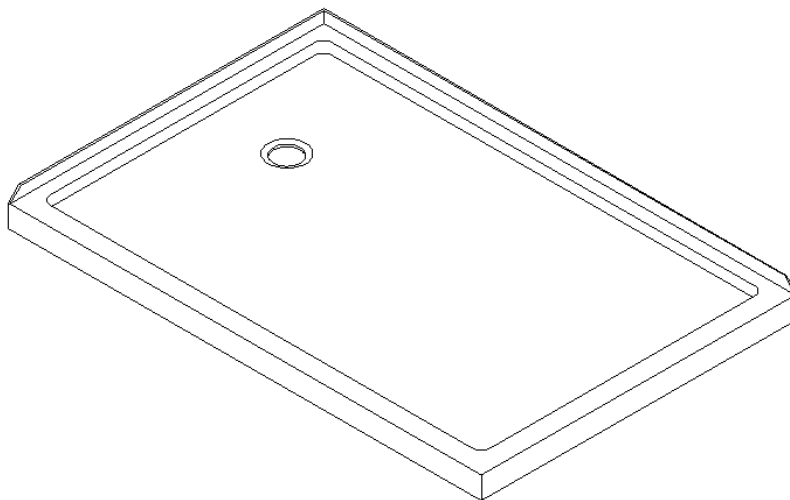
Corner Drain Configuration



MODEL	SPECIFICATION	W (in)	C (in)
DLT-1032320	32" x 32"	32"	12"
DLT-1036360	36" x 36"	36"	12"
DLT-1042420	42" x 42"	42"	12"

DOUBLE THRESHOLD SHOWER BASE

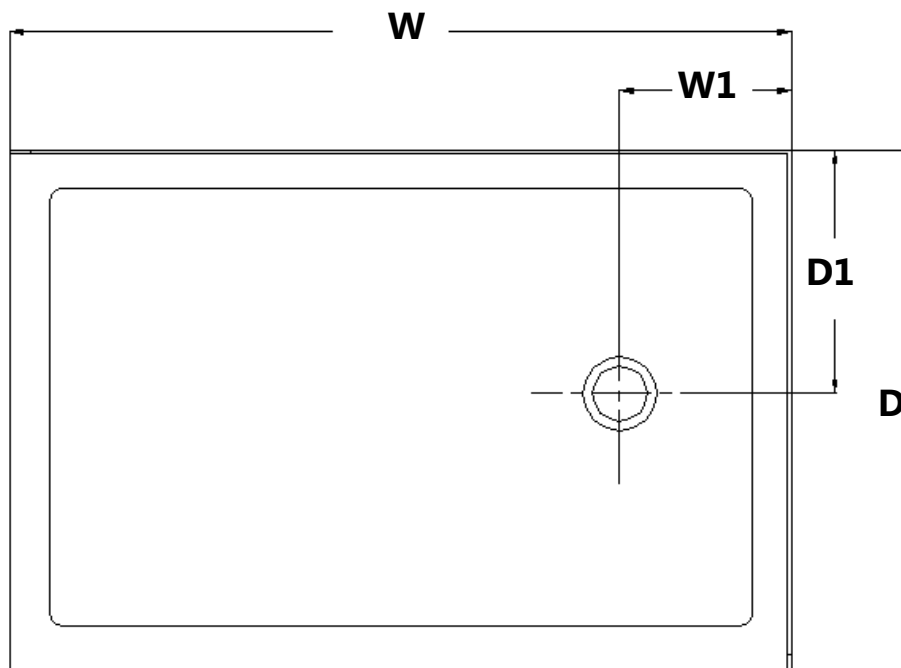
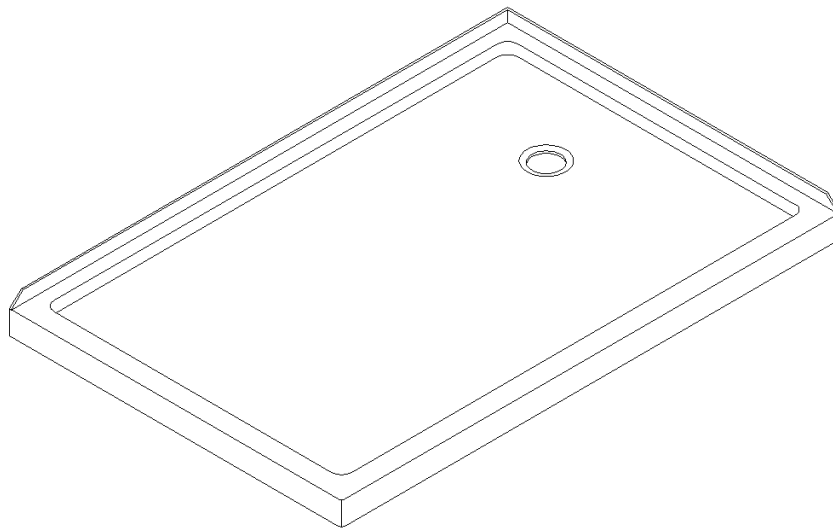
Left-Hand Drain Configuration



MODEL	SPECIFICATION	D (in)	W (in)	D1 (in)	W1 (in)
DLT-1034481	34"×48"	34"	48"	17"	12"
DLT-1036481	36"×48"	36"	48"	18"	12"
DLT-1036541	36"×54"	36"	54"	18"	12"
DLT-1036601	36"×60"	36"	60"	18"	12"

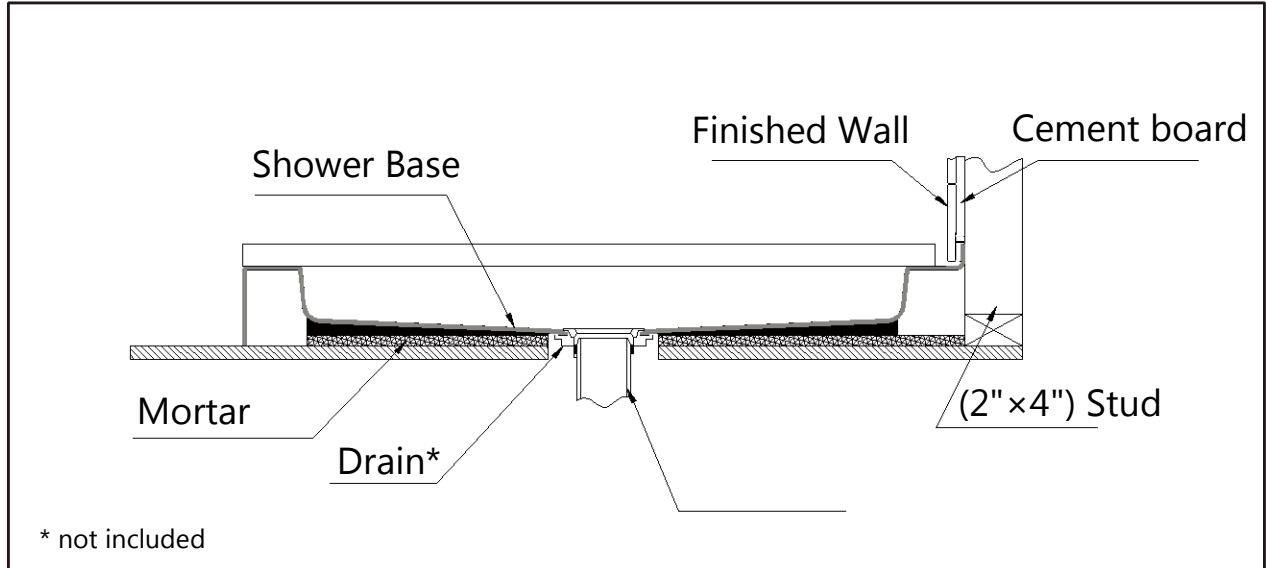
DOUBLE THRESHOLD SHOWER BASE

Right-Hand Drain Configuration



MODEL	SPECIFICATION	D (in)	W (in)	D1 (in)	W1 (in)
DLT-1034482	34"×48"	34"	48"	17"	12"
DLT-1036482	36"×48"	36"	48"	18"	12"
DLT-1036542	36"×54"	36"	54"	18"	12"
DLT-1036602	36"×60"	36"	60"	18"	12"

Shower Base Cross Section Diagram



This product should be installed by someone familiar with the construction requirements for this type of project and the care necessary for the safe installation and operation of the product.

Shower Base Installation - Preparation

1. Ensure that the floor and the studs are at right angles.
Provide a 5"×5" opening in the sub-floor for the drain.
The 2" PVC waste pipe should extend above the surface of the sub-floor according to the drain installation instructions and the height of the Shower base.
Refer to the product drawings and tables in this installation manual for the drain location.

(Fig 1a and Fig 1b)

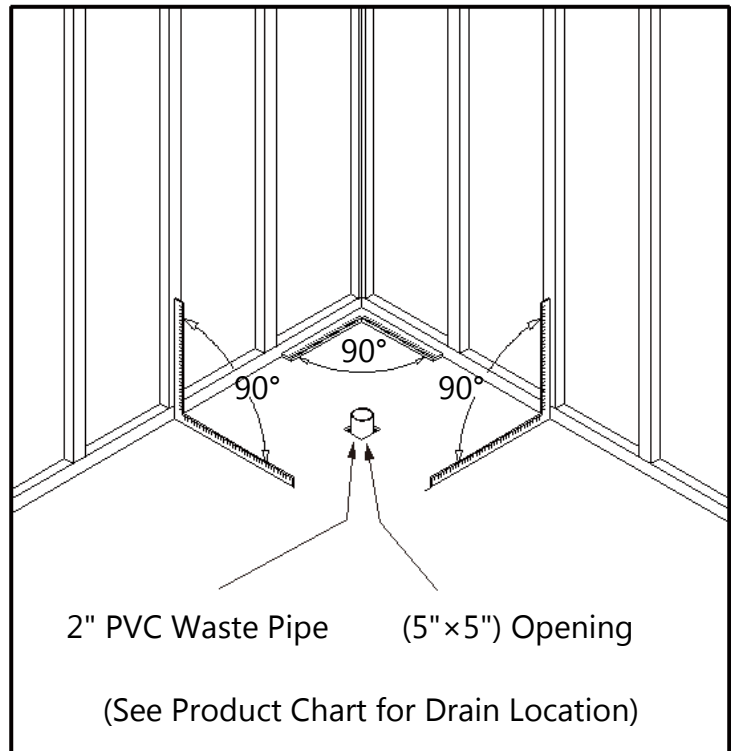


Fig 1a

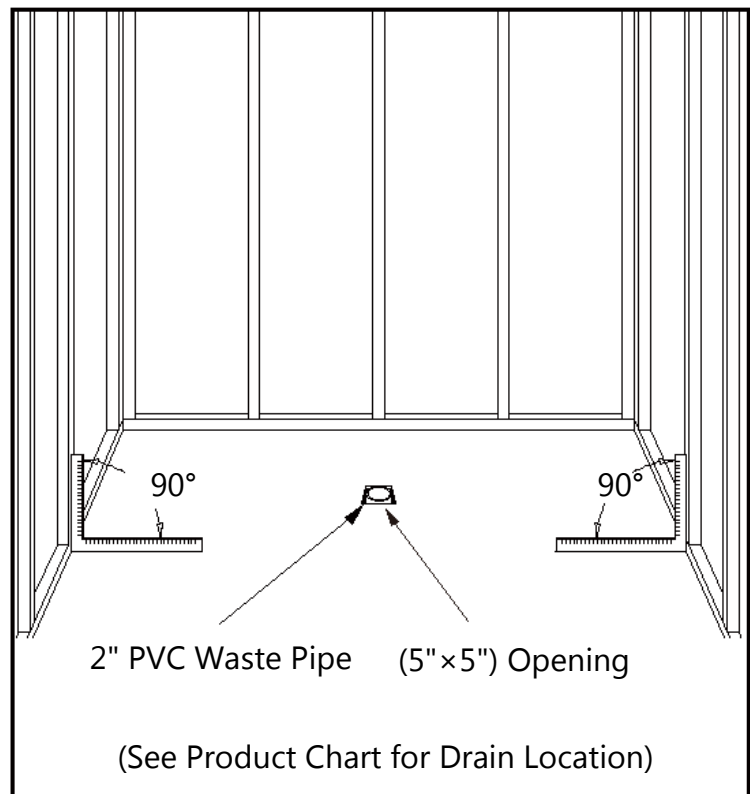


Fig 1b

2. Install the shower drain (**NOT INCLUDED**) according to the drain installation manual (supplied with the drain).

(Fig 2)

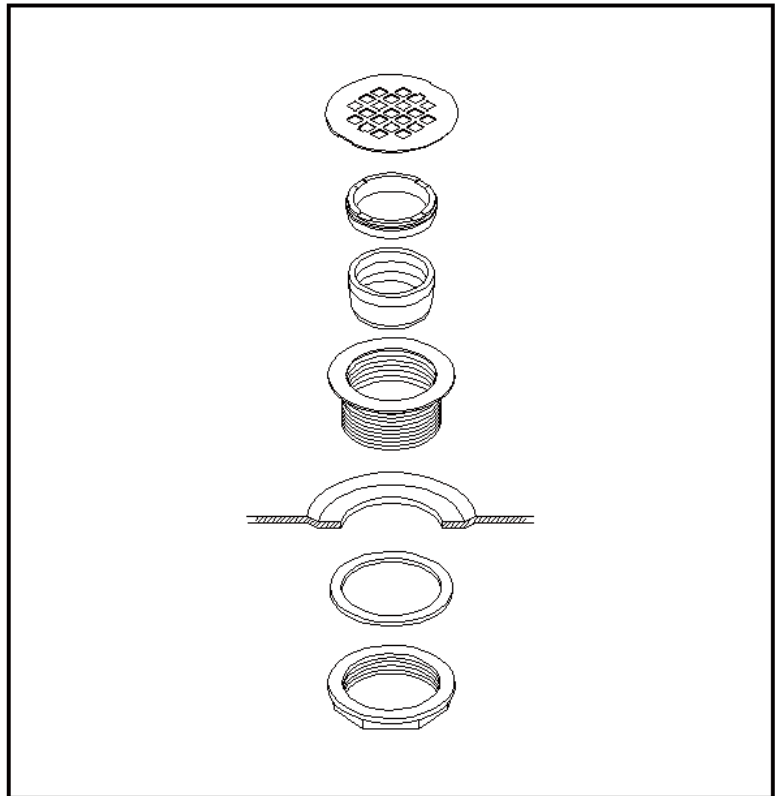
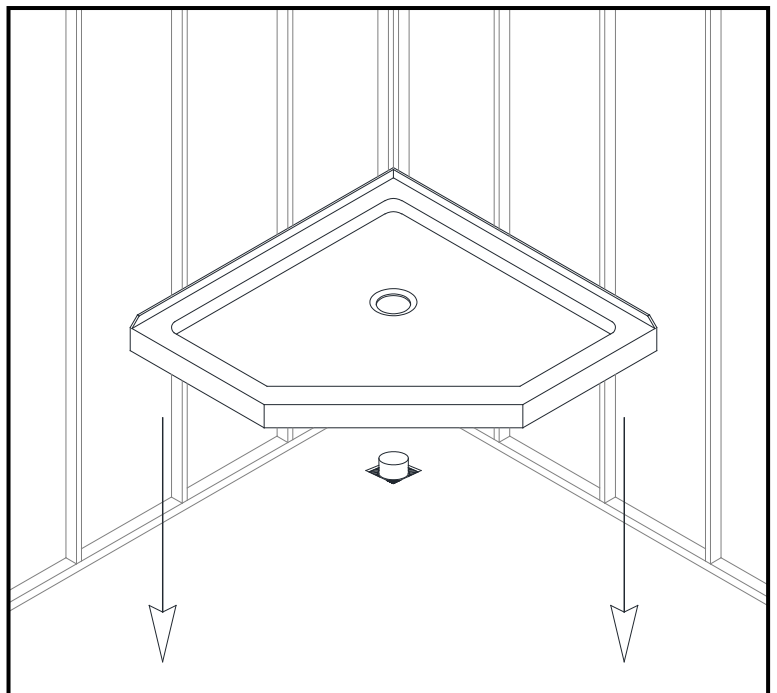


Fig 2

3. Place the tray into the designated position so that the Drain cutout drops around the Drain Pipe and butt the Shower Base up against the studs.

(Fig 3)



Lower the base over the drain pipe and set it into place against the studs.

Fig 3

4. Level the tray and place marks on the studs above the upper edge of the tile flange.

(Fig 4)

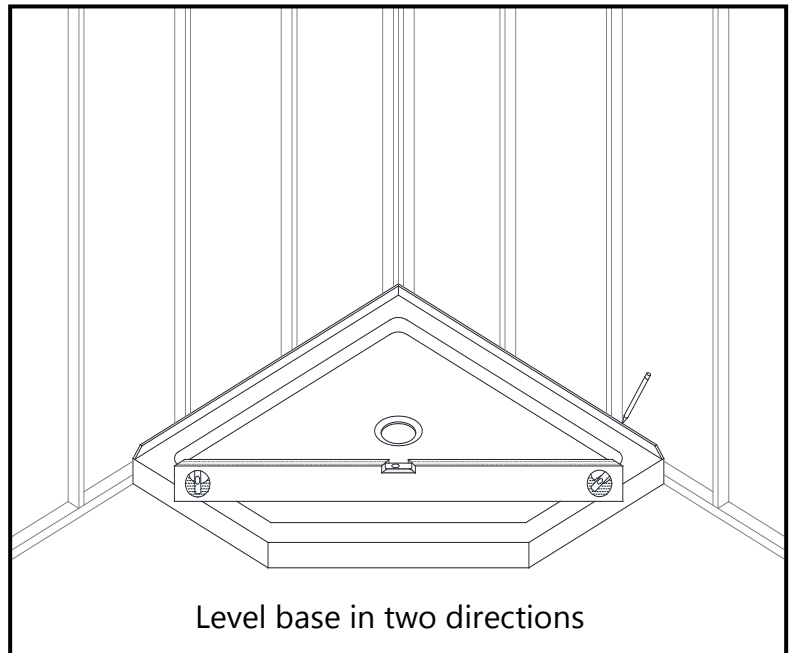


Fig 4

5. Mix the bedding material (Mortar, cement-sand mix, etc.) **Concrete or plaster is not recommended.** Apply enough bedding material to support the entire bottom of the shower base. This will add additional stability and prevent the base from shifting position.

(Fig 5)

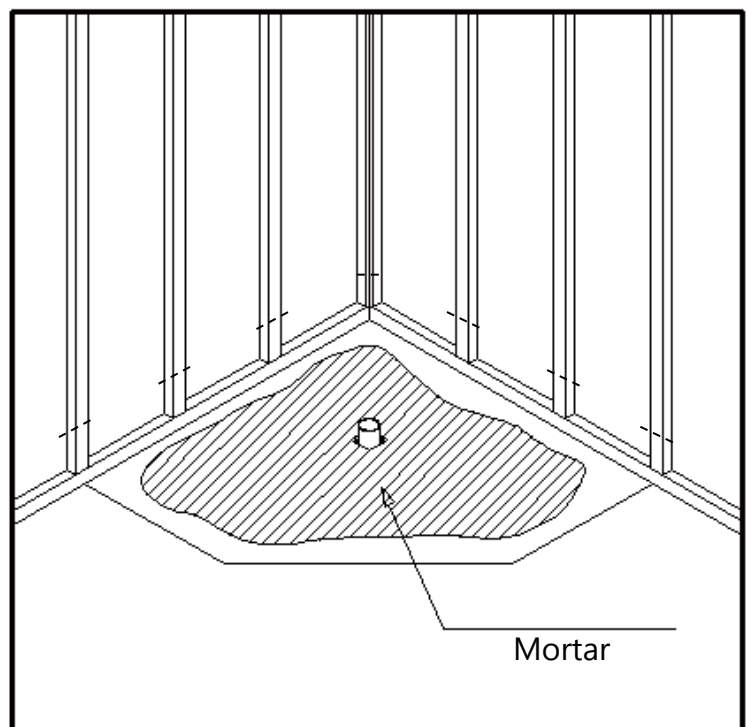


Fig 5

- After the bedding material has been poured and *before* it sets, place the shower base into the position with the drain assembly sliding over the PVC waste pipe. It will be necessary to push the shower base until the top of the tile flange aligns with the marks drawn on the studs and the front edge is contacting the rough floor along the entire length of the shower base. Ensure that the base is level in all directions. You may need to use shims to hold the tray level until the bedding fully sets. Remove all excess mortar.

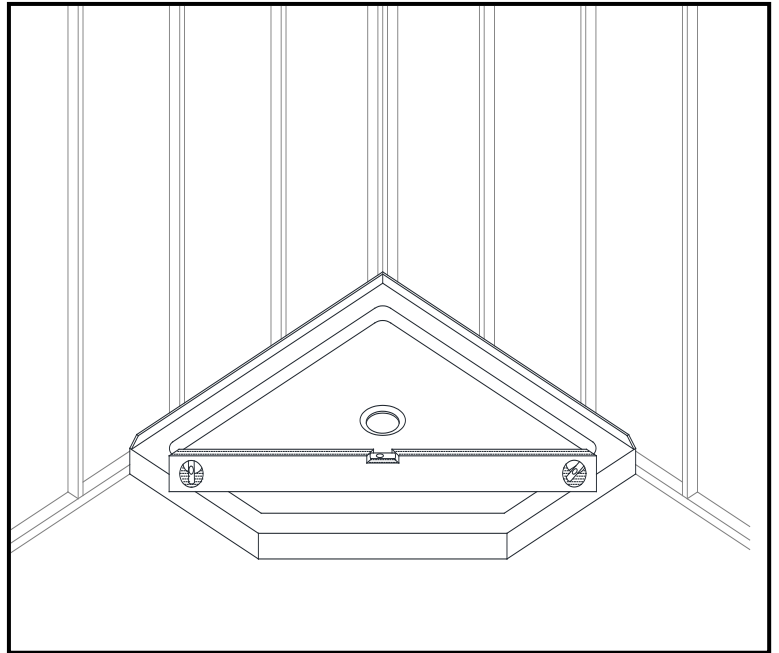


Fig 6

- Allow the bedding material to completely harden before applying weight to the bottom of the shower base. Install the cement board (or the wallboard) above the tile flanges and secure it to the studs. Put the tiles (or other finishing wall material) over the cement board leaving 1/8" gap between the bottom of the tile or wall kit and the shower base. Use caulk to fill the gap.

(Fig 7a and Fig 7b)

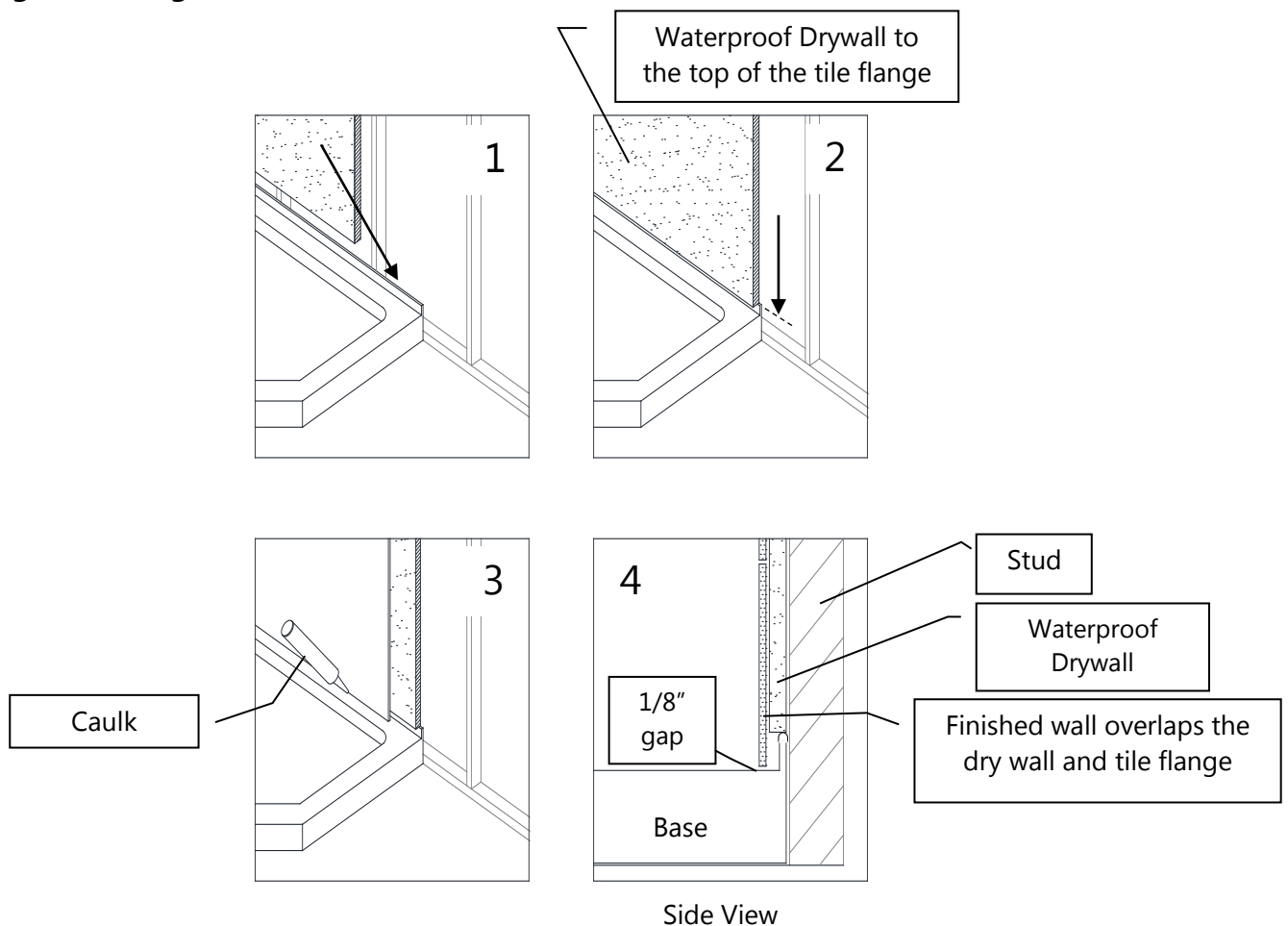


Fig 7a

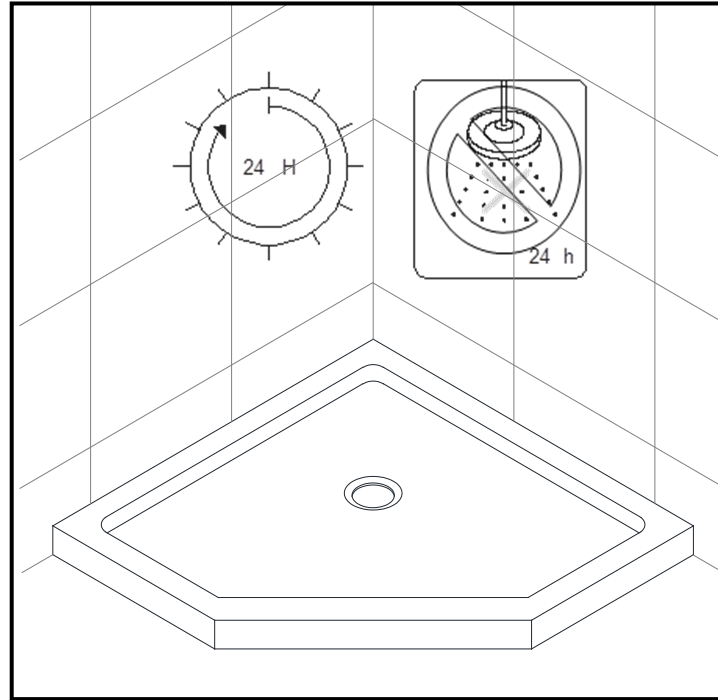


Fig 7b

Product Maintenance

BASES and BACKWALLS: To ensure long lasting life for your acrylic base and/or back walls: wipe them off after each use with a soft cloth. To clean the acrylic base or back walls use non-abrasive sprays or cream-based cleaners. Avoid the use of aerosol spray cleaners. Never use abrasive cleansers, metal brushes or scrapers that could scratch or dull the surface.

GLASS: To ensure long-lasting life for your glass shower products: wipe them off after each use with a soft cloth. Rinse and wipe off the glass using either a soft cloth or a squeegee to prevent soap buildup and water spots (Hard water can etch the surface of the glass over time if left to dry). To prevent scratching the surface: never use abrasive cleaners or cleaning products that contain scouring agents. Never use bristle brushes or abrasive sponges that may scratch the surface.

HARDWARE: To ensure a long-lasting finish: wipe off the metal parts after each use with a soft cloth. Do not use abrasive cleaners or cleaning products containing ammonia, bleach or acid. If accidentally used, rinse the surface as soon as possible to prevent damage to the finish (peeling or corrosion). After cleaning the polished finishes, rinse thoroughly and wipe dry with a soft cloth.

Clean stainless-steel surfaces at least once a week. When applying stainless steel cleaner or polish to stainless steel hardware, work with (not across) the grain. Never use an abrasive sponge or cloth, steel wool or wired brush as these may permanently scratch the surfaces.

NOTE: To maximize the life of your door, it is important to regularly inspect the glass and other hardware for misalignment, proper attachment, and/or damage. Contact DreamLine with any questions or concerns.



TEL: [866-731-2244](tel:866-731-2244)

FAX: [866-857-3638](tel:866-857-3638)

DREAMLINE.COM

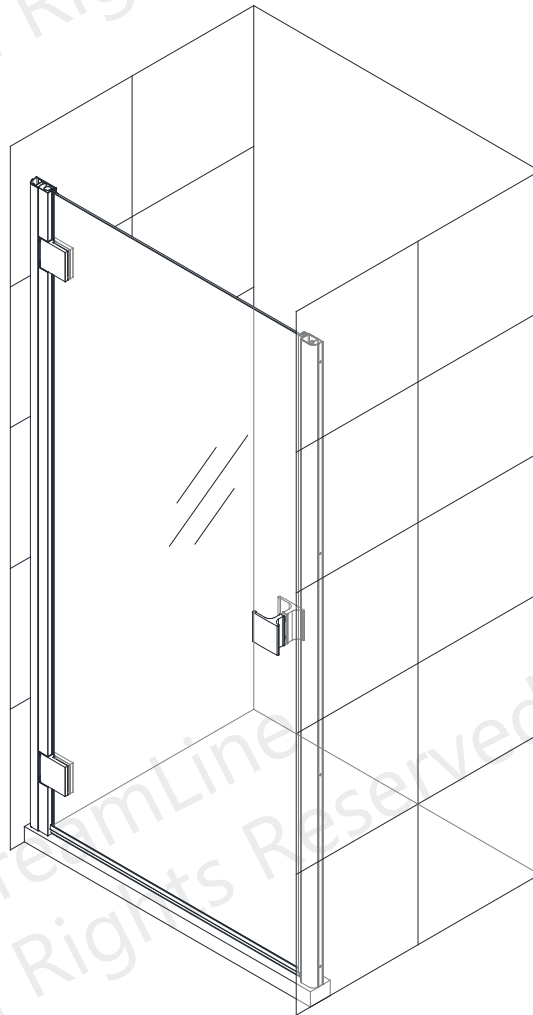
For more information on [DreamLine® Shower Doors](http://DreamLine.com) and [Enclosures](http://DreamLine.com) please visit DreamLine.com

LUMEN

SHOWER DOOR INSTALLATION INSTRUCTIONS

IMPORTANT

DreamLine[®] reserves the right to alter, modify or redesign products at any time without prior notice for the purpose of product improvement and customer experience. Please refer to the model's web page on **DreamLine.com** for the latest technical drawings, installation manuals, warranty information or additional product details.



MODEL #s

SHDR-5330660-##
SHDR-5334660-##
SHDR-5334720-##
SHDR-5340720-##

##=finish

01- Chrome

04- Brushed Nickel

06- Oil Rubbed Bronze

09- Satin Black

Left-Swing door installation shown

PLEASE REVIEW THIS ENTIRE MANUAL PRIOR TO INSTALLATION



Questions?

Please Call **DreamLine** Customer Support: **1-855-831-2126**
Hours of Operation M-F 8AM - 7PM EST and Saturday 9AM - 5PM EST

Support@DreamLine.com



For more information about DreamLine[®] Shower Doors, Tub Doors & Enclosures, please visit **DreamLine.com**

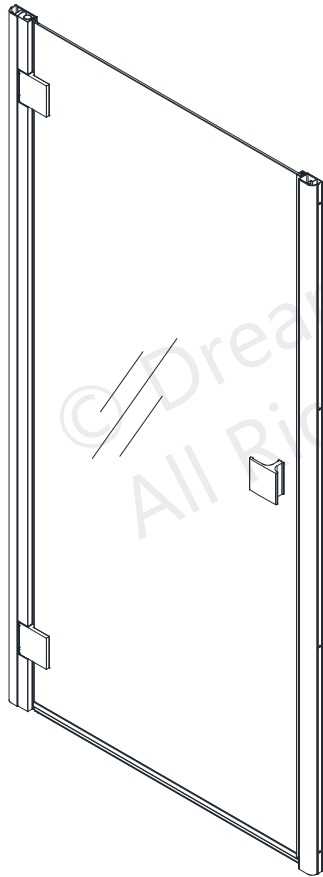
Table of Contents

Section title	Page #
Model Diagram	2
Preparation	3
Tools	4
Parts List	5-6
Installation Steps	7-18
Handle	17
Vinyl Seals	17
Hinge Assembly Detail	19
Product maintenance	20

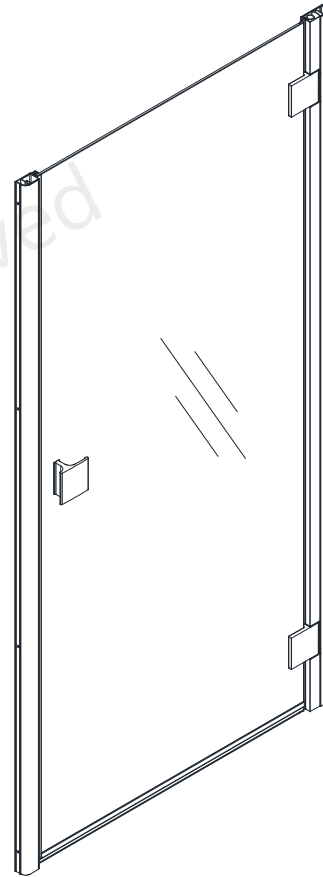


This product should be installed by someone familiar with the construction requirements for this type of project and the care necessary for the safe installation and operation of the product.

Model Diagram



Left-Swing door installation



Right-Swing door installation



NOTE: This model is reversible for left or right door swing installation. This manual will use the left door swing installation as an example throughout. For a right door swing installation, simply begin on the opposite wall and reverse the orientation of the parts as necessary.

Preparation

1. Prior to installation, examine all boxes and packages for shipping damage and compare the piece count with the packing slip. After opening all boxes and packages read this introduction carefully. Check that all of the necessary parts are included in the package by checking off the components on the "Detailed Diagram of Shower Door Components". If the unit has been damaged, has a finishing defect, or has missing parts, please contact our customer support department within **3 business days** of the delivery date. **Please note that DreamLine® will not replace any damaged products or missing parts free of charge after 3 business days or if the product has been installed.** Feel free to contact DreamLine® if you have any questions, and please provide an order number, job name or other proof of purchase to help identify the original order.

2. **Please note that you should consult your local building codes with questions on installation compliance standards. Building and plumbing codes may vary by location, and DreamLine® is not responsible for code compliance standards for your project and will not accept any returns.**

3. If this unit is going to be installed in a new construction, please install all of the required plumbing and drainage before installing the shower. Use a competent and licensed (if required by local code) plumber for all plumbing installation

4. Make sure that prior to beginning the installation, the surfaces are leveled and solid and will be able to support the total weight of the unit. Also make sure the walls are at right angles. Irregular installation surface level, radius corners or improper angle of side walls will result in serious problems for your installation. Note that some adjustments and drilling will be necessary during the installation process.

5. Protect all primary surfaces of the product during installation. Never set the glass down directly onto a tile floor. Leave corner protectors in place until necessary to remove them. Always use a piece of wood or cardboard to protect the bottom edge and corners of the glass prior to and during installation.

6. This unit must be installed upon a finished threshold and against finished walls.

7. This model has **1"** of total adjustment (1/2" per side) for out-of-plumb wall conditions and/or overall width adjustment within the model size. Confirm the finished opening dimensions before proceeding with the installation.

8. This model requires a minimum of **1-1/4"** of flat level threshold space for installation.

9. **Professional installation recommended.**



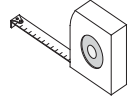
NOTE: Do Not attach the handle to the door glass until instructed.

Do Not attempt to lift the door glass with the handle as this may result in damage to the glass and/or serious personal injury. Use a professional grade glass suction cup and an assistant if necessary.

Tools



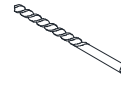
Level



Tape Measure



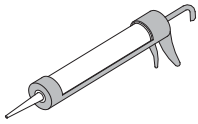
Pencil



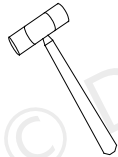
Drill bit
Ø5/16"
(8mm)



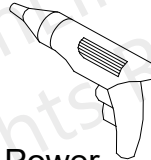
Drill bit
Ø=1/8"
(3.2mm)



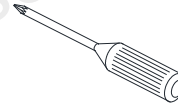
Silicone



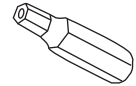
Hammer



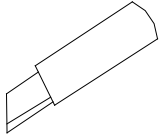
Power Drill



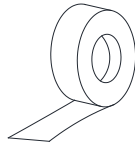
Phillips Screwdriver



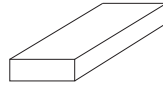
Hex Head driver
2mm, 4mm



Razor Knife



Painter's Tape



1/2" Shims



Work Gloves



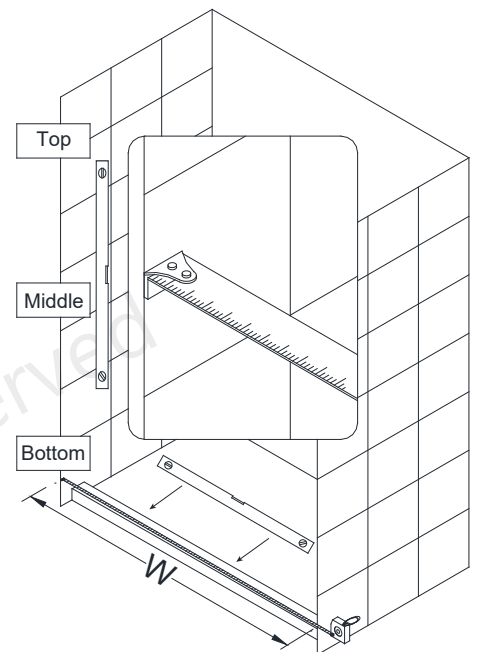
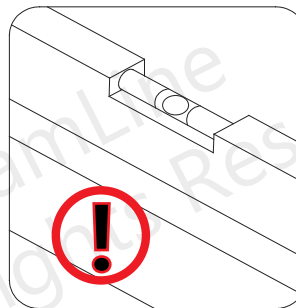
Safety glasses

Tip: Measure the finished opening before proceeding with the installation to be sure that the correct model size has been ordered.

Tip: Prior to installation, cover the shower/tub drain with tape to prevent losing screws or small parts.

Tip: Set screw gun clutch to low setting when installing screws and bolts to prevent stripping the heads.

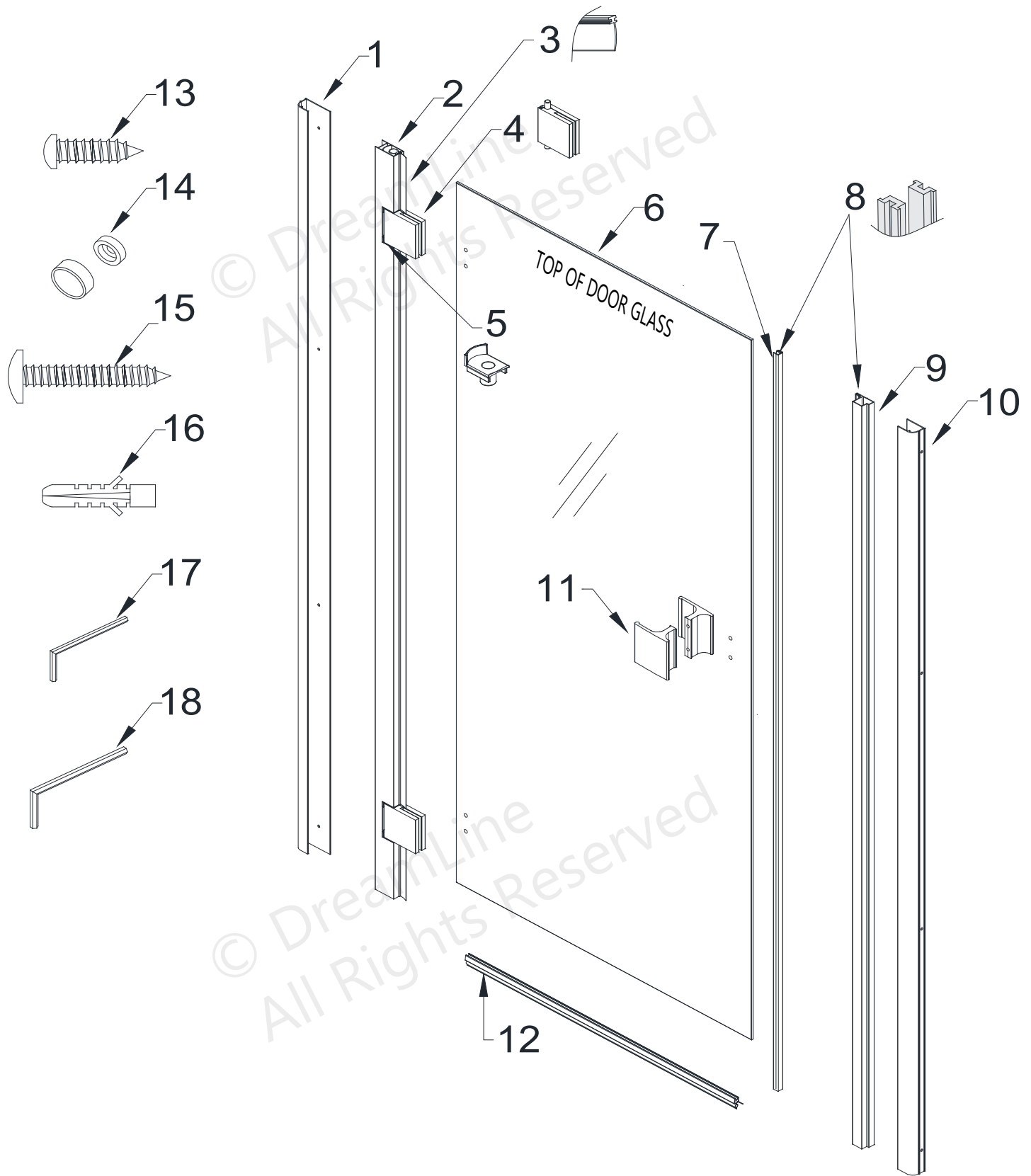
Threshold must be level



NOTE: Unpack the product carefully and inspect it. Lay it out and identify all parts using the detailed diagram and packing list in this manual as a reference. Before discarding the carton, check for small hardware bags that may have fallen to the bottom of the box. If any parts are damaged or missing, please contact DreamLine® for replacement. The shipping boxes may contain extra parts not used in your model configuration.

NOTE: Retain these installation instructions for future reference.

Detailed Diagram of shower door components



Left-Swing door installation shown as an example

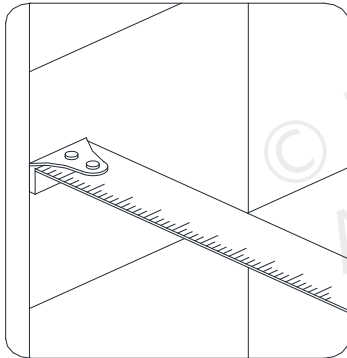
Parts List

ITEM #	DESCRIPTION	QTY
01	Wall Profile	1pc
02	Hinge Profile	1pc
03	Hinge Side Vinyl Seal (pre-installed)	1pc
04	Hinge Assembly (pre-installed)	2pcs
05	Pivot Bushing (pre-installed)	4pcs
06	Door Glass	1pc
07	Strike Rail	1pc
08	Magnet Strip (pre-installed in #07 and #09)	2pcs
09	Strike Profile	1pc
10	Wall Profile	1pc
11	Handle	1pc
12	Sweep Vinyl Seal	1pc
13	ST4.2x10 Pan Head Screw	8pcs
14	Decorative Screw Cap and Washer	8pcs
15	ST4.2x40 Truss Head Screw	8pcs
16	Ø5/16" Plastic Wall Anchor	8pcs
17	2.5mm hex head wrench	1pc
18	4mm hex head wrench	1pc

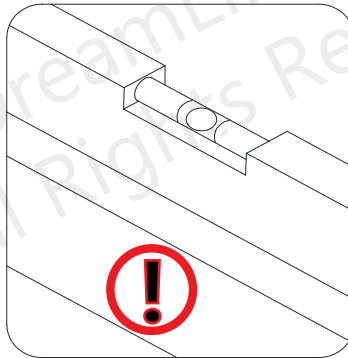
Installation steps

1. Measure the finished opening width at the top (at model height), middle and bottom. Check the threshold for level and the walls for plumb. **(Fig 1)**

Note that this model can adjust up to 1/2" per side for out-of-plumb conditions or 1" for overall width within the model size.



Measure the finished opening



Threshold must be level

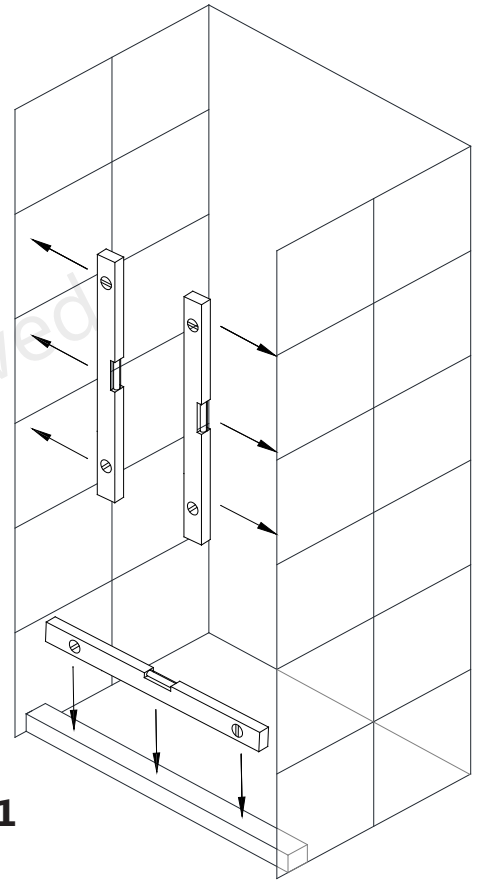


Fig 1

2. Install the **Wall Profile (hinge side) (#01)** first. Position the **Wall Profile (hinge side) (#01)** onto the threshold and against the wall and plumb with a level. Mark the position of the **Wall Profile (hinge side) (#01)** on the wall (from inside of the shower) and mark the holes for drilling. Remove the **Wall Profile (hinge side) (#01)** and drill **Ø5/16" (8mm)** holes. Insert the **Wall Anchors (#16)** into the holes. **(Fig 2)**

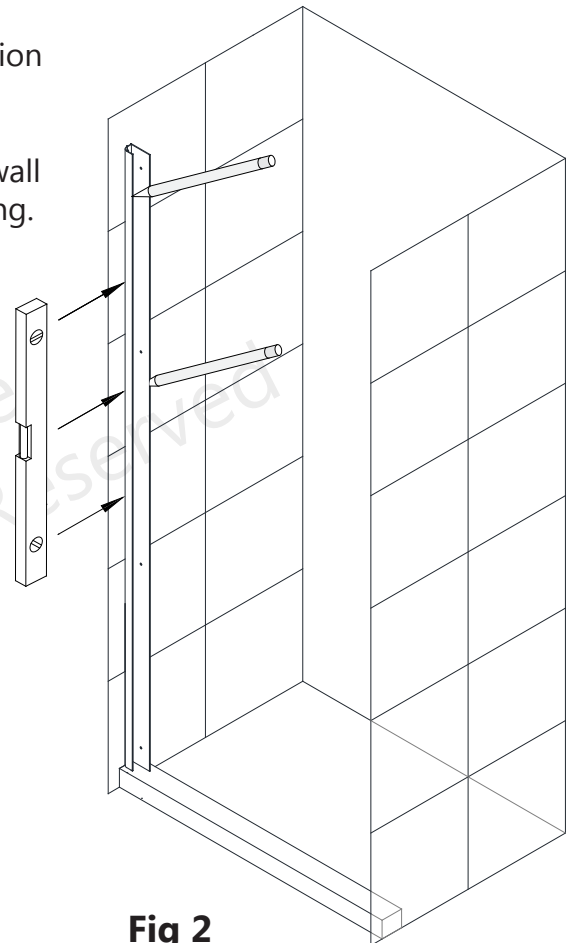
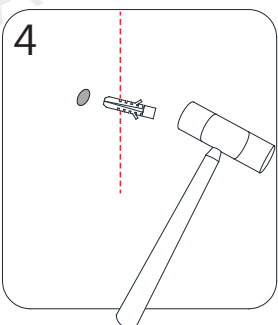
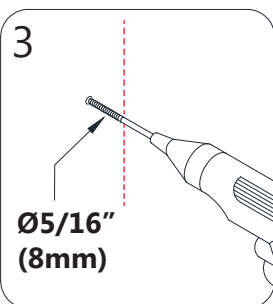
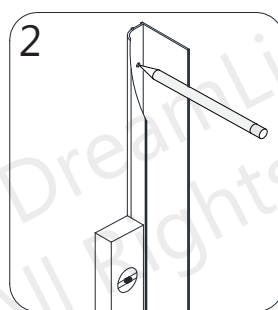
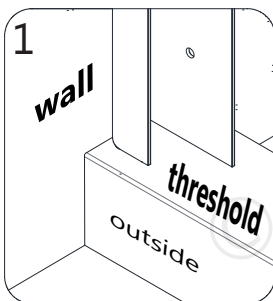


Fig 2

Left-Swing door installation shown as an example

3. Apply silicone to the back of the **Wall Profile (hinge side) (#01)**. Attach the **Wall Profile (hinge side) (#01)** to the wall using the **ST4.2x 40 Truss Head Screws (#15)**. (**Fig 3a**)

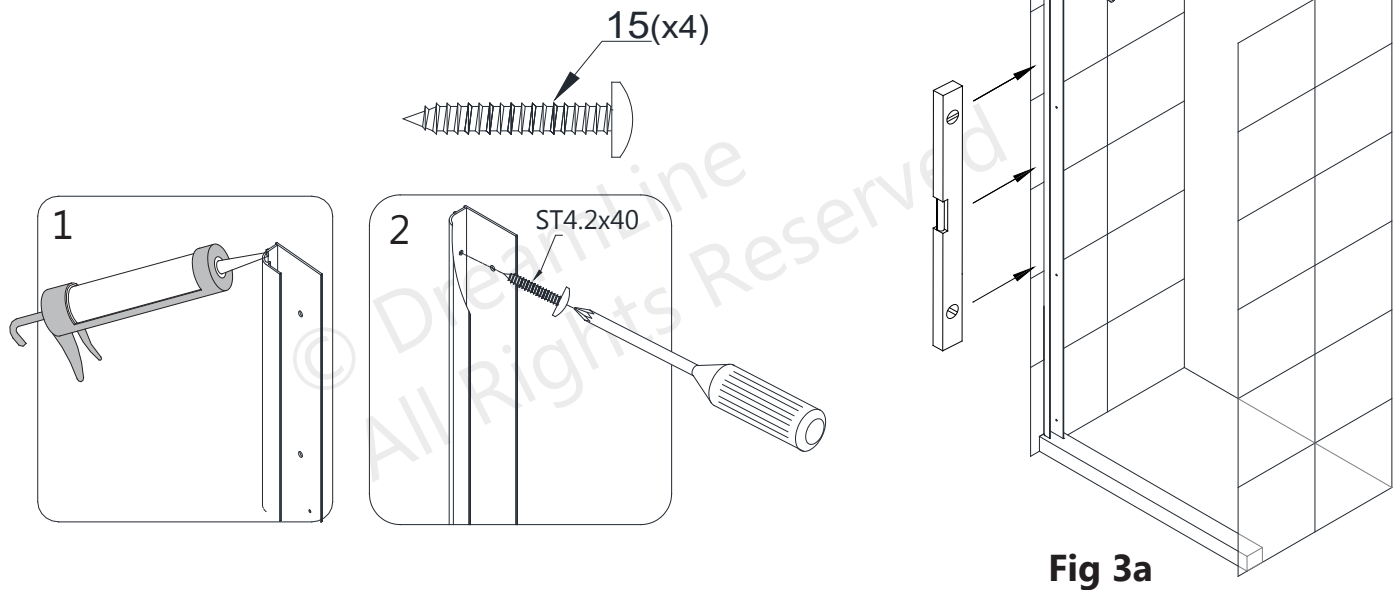


Fig 3a



NOTE: There is a top and a bottom to the door glass. The handle holes are closer to the top. (**Fig 3b**)

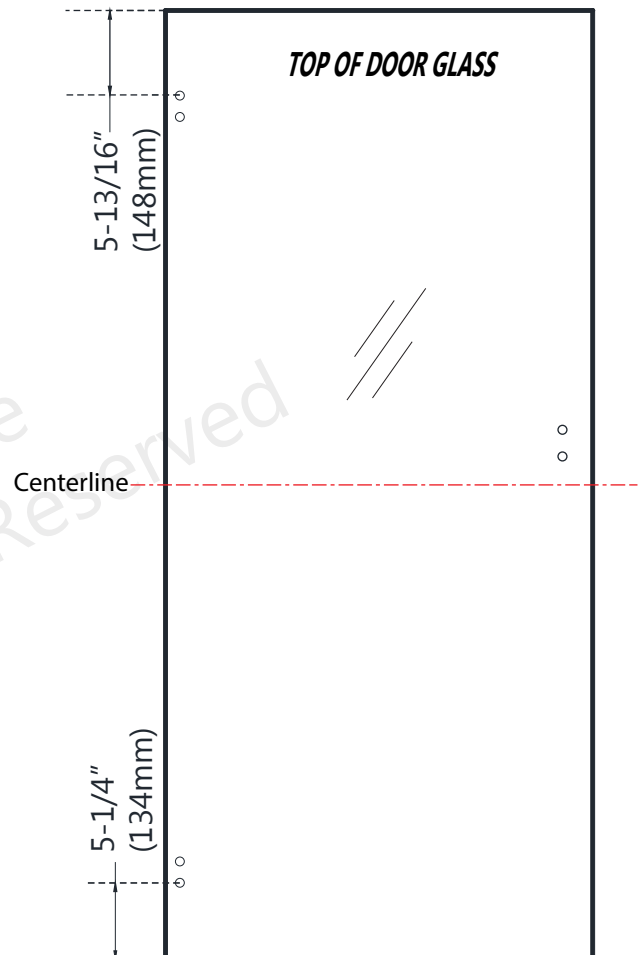


Fig 3b

Left-Swing door installation shown as an example

4. Slide the Hinge Profile (#02) assembly fully into the Wall Profile (#01). (Fig 4)

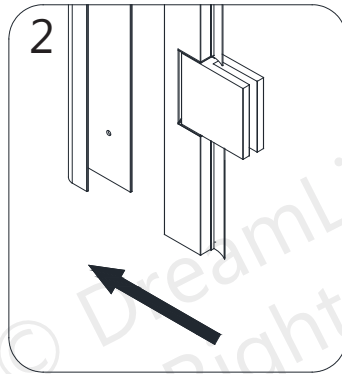
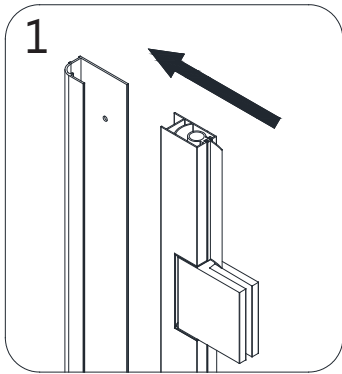
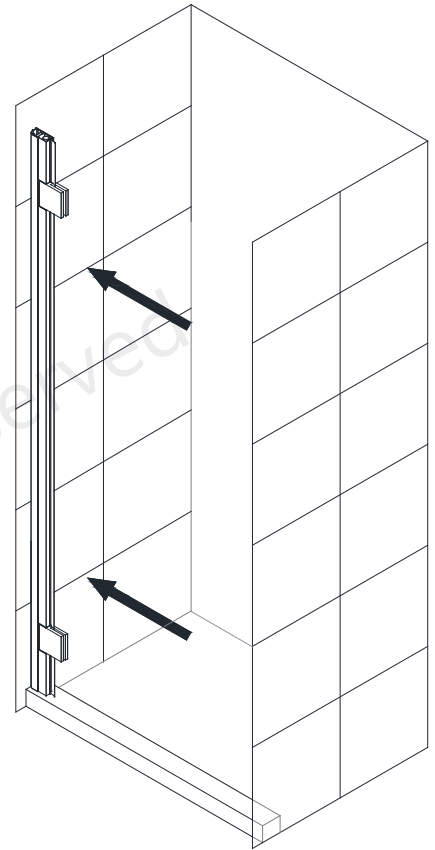
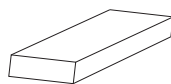


Fig 4a



NOTE: It is very important to protect the bottom edge of the door glass during installation. Use 1/2" shims on the threshold for proper spacing and to support the door during the next few steps. (Fig 4b)



1/2" Shims

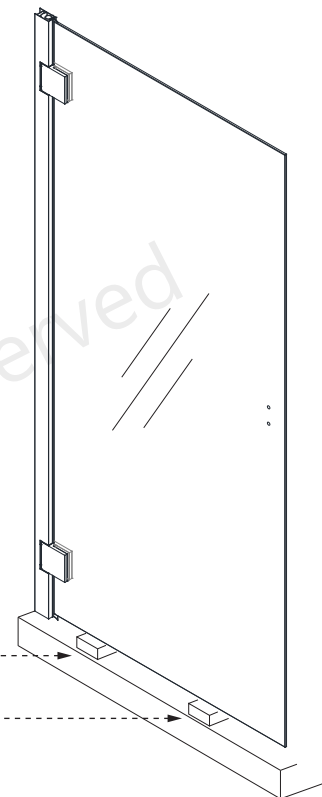
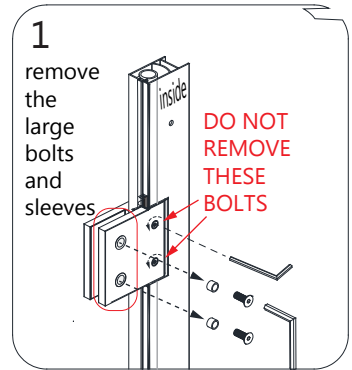
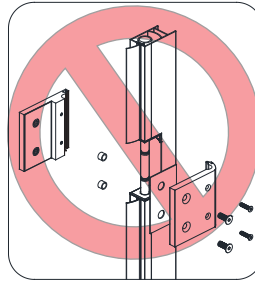


Fig 4b



DO NOT REMOVE THE TWO SMALLER HINGE BOLTS: Only loosen these smaller bolts enough to allow the door glass to slide into the hinge.



5. The Hinge Assemblies (#04) are pre-attached to the **Hinge Profile (#02)**. Remove the **large allen bolts** and protective sleeves from the hinges. **(Fig 5.1)** Loosen the **smaller allen bolts** on the hinges to create enough space to slide the glass into the hinges.
***Place the protective sleeves into the hinge holes on the Door Glass (#06).** Align the holes in the **Door Glass (#06)** with the holes in the hinges. Install the large bolts through the protective sleeves in the hinge holes and tighten. Re-tighten the small bolts on the hinges to secure the **Door Glass (#06)**. **(Fig 5)**

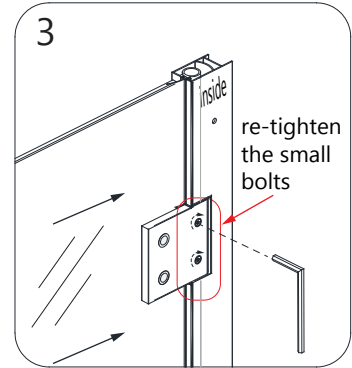
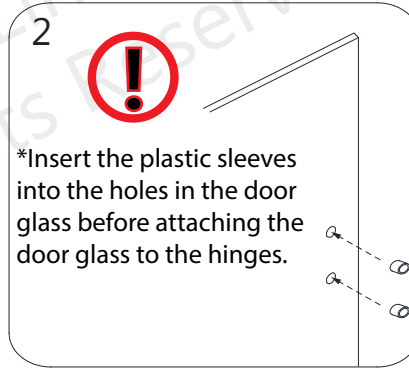


Fig 5

Loosen, but Do Not remove the two smaller bolts on the hinge to allow enough space to install the door glass without fully disassembling the hinges.

6. Clean the edge of the Door Glass (#06) prior to attaching the **Strike Rail (#07)**. Apply a **thin bead** of silicone into the **Strike Rail (#07)** and attach it to the strike edge of the **Door Glass (#06)**. Make certain that the **Strike Rail (#07)** is tight to the glass and flush with the top and bottom edges. Secure the rail in place with some painter's tape until the silicone fully cures. **(Fig 6)**

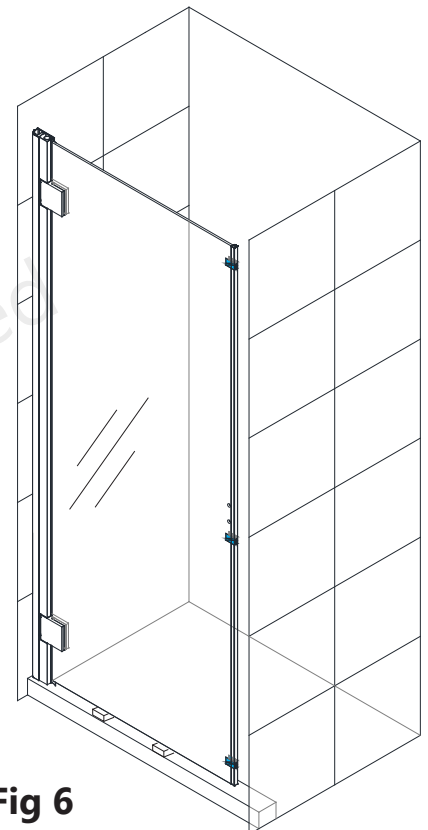
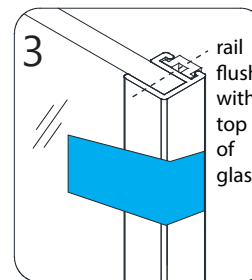
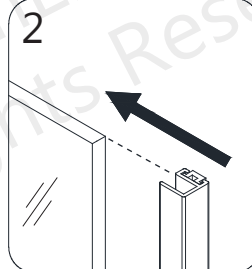
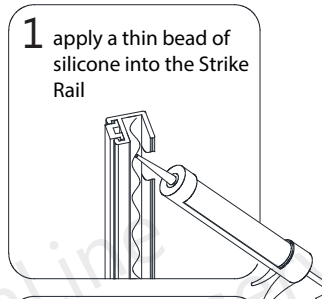
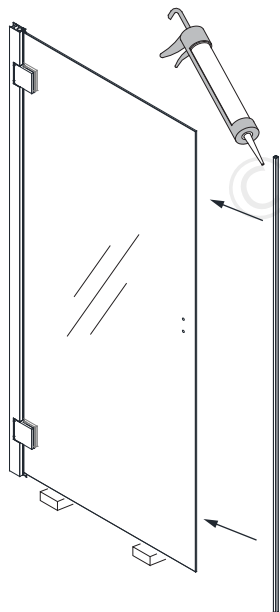


Fig 6

Position the tape so that it does not interfere with aligning the magnetic strips

7a. Adjust the strike and hinge profiles within the wall profiles to center the door within the model size range.

DO NOT adjust either profile more than 1/2".

The ID groove on the hinge profile and strike profile should not be visible.

DO NOT over adjust the profiles beyond the ID groove .

(Fig 7a)

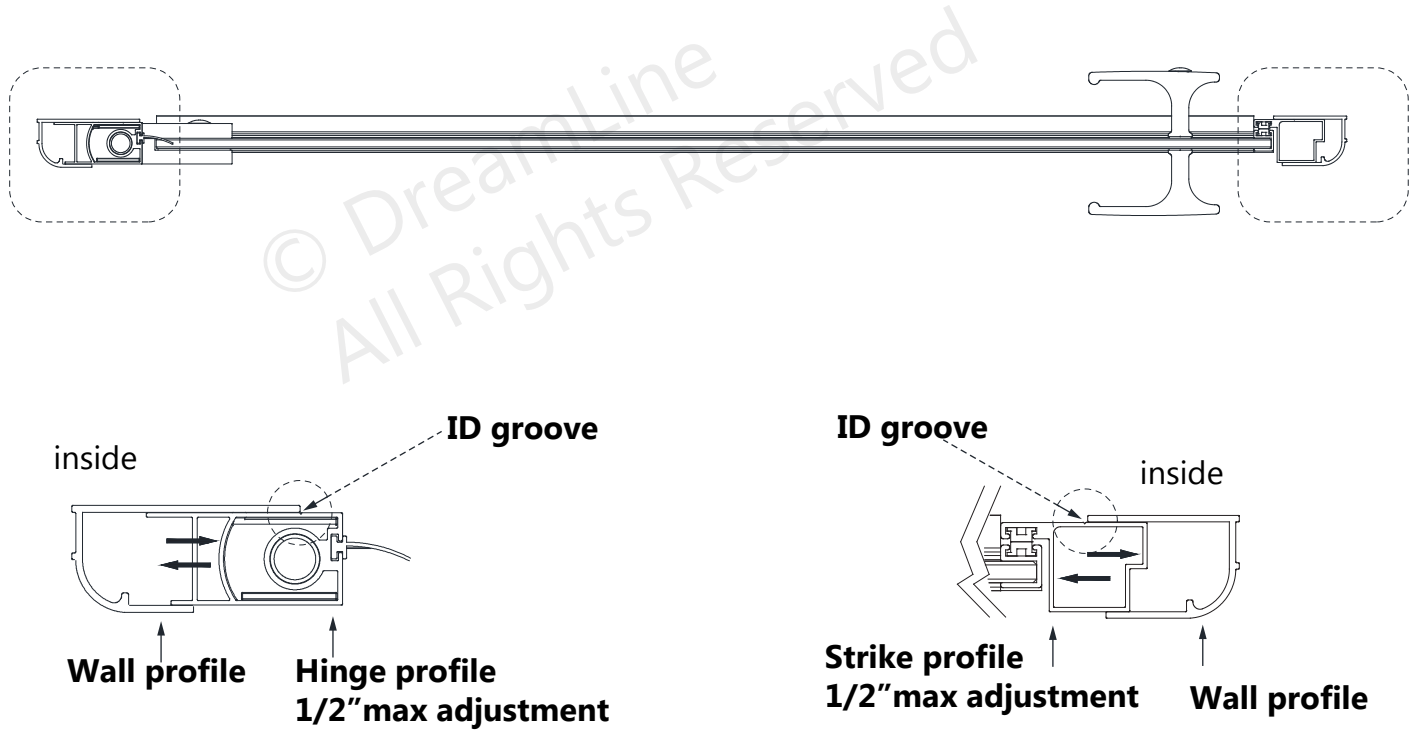


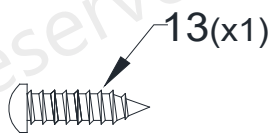
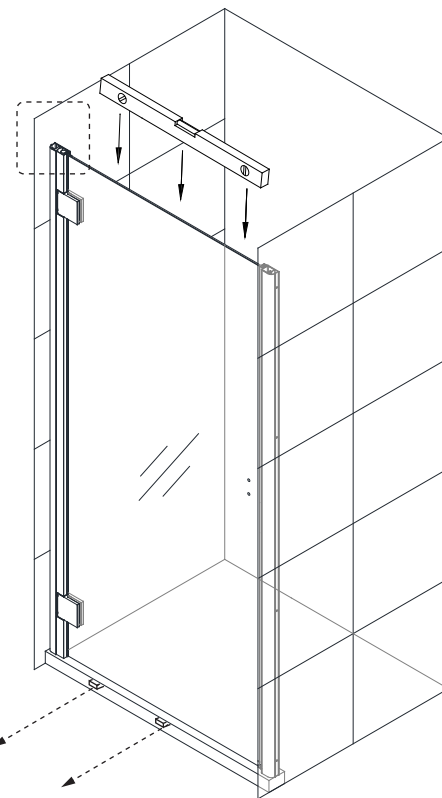
Fig 7a



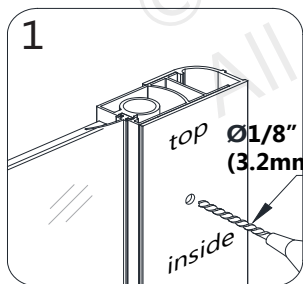
NOTE: For safety and to protect the Door Glass:

The door glass will need to be supported by shims and/or an assistant until the Wall profile and Hinge profile are screwed together.

7b. Check the door for level. Adjust the **Hinge Profile (#02)** as necessary. From inside of the shower, drill an **Ø1/8"** hole through the predrilled hole at the top of the hinge-side **Wall Profile (#01)** and secure the **Wall Profile (#01)** to the hinge profile using an **ST4.2 x 10mm Pan Head Screw (#13)** and **Washer (#14)**. This will provide some support for the door until the remaining **ST4.2 x 10mm (#13)** screws are installed in Step #12, after the Strike side profiles are installed. **This screw may need to be repositioned at that time depending on the finished opening conditions.** (Fig 7b)



Hinge side as viewed from inside the shower



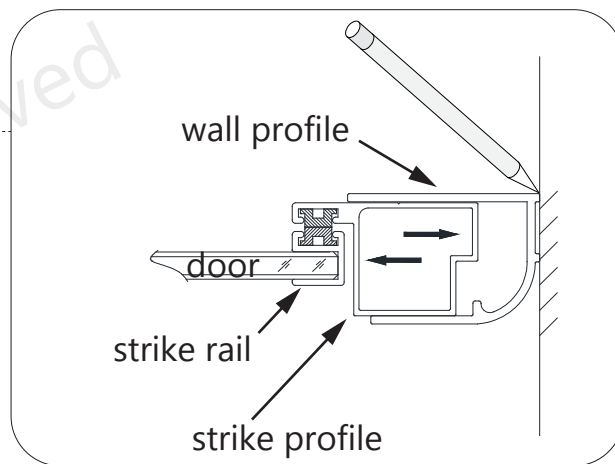
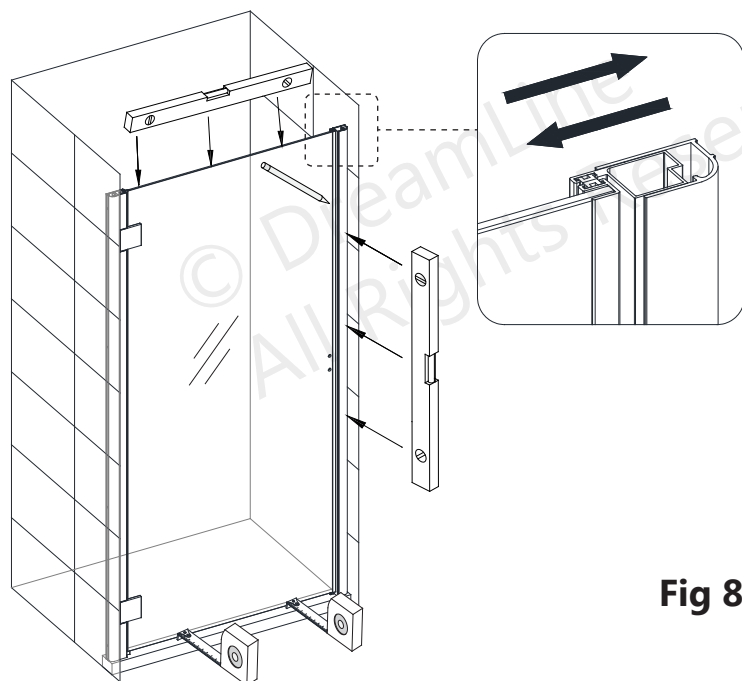
Left hinged door shown as an example

The 1/2" shims should only be removed after the Hinge profile and Wall profile are screwed together

Fig 7b

8. Position the **Strike Profile (#09)** and **Wall Profile (#10)** against the wall. Close the door and use a tape measure to align the **Door Glass (#06)** parallel to the front edge of the threshold. Align the **Strike Profile (#09)** with the **Strike Rail (#07)** on the edge of the door. Check the strike-side **Wall Profile (#10)** for plumb, but make sure that the magnets align. Adjust the **Strike Profile (#09)** within the **Wall Profile (#10)** for overall width or out-of-plumb.

Mark the position of the **Wall Profile (#10)** on the wall from inside the shower. (Fig 8)



Adjust the Strike profile to make sure that the magnets make full contact from top to bottom.

Fig 8

9. Open the door and remove the **Strike Profile (#09)** and leave the **Wall Profile (#10)** in position. Mark the holes for drilling through the holes in the **Wall Profile (#10)**. Drill **Ø5/16" (8mm)** holes and insert the **Wall Anchors (#16)** into the holes. Apply silicone to the back of the **Wall Profile (#10)** and around the screw holes. Attach the **Wall Profile (#10)** to the wall using the **ST4.2x 40 Truss Head Screws (#15)**. (**Fig 9a and Fig 9b**)

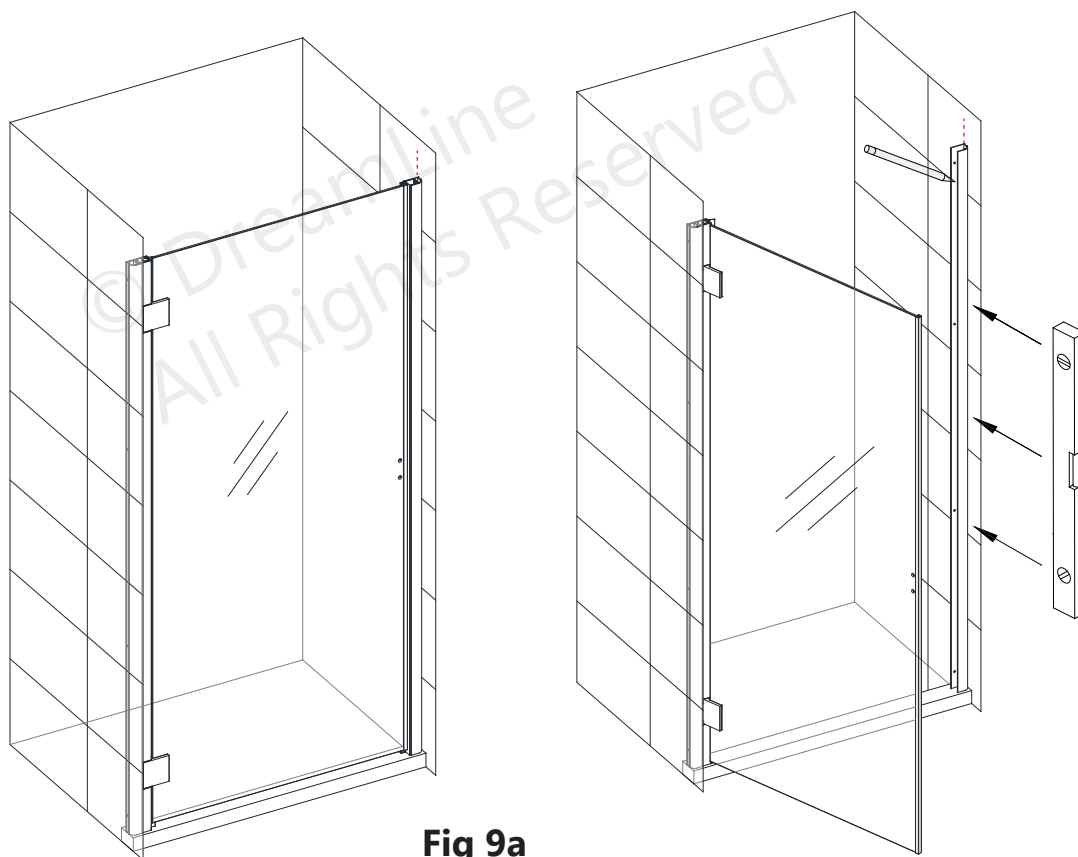


Fig 9a

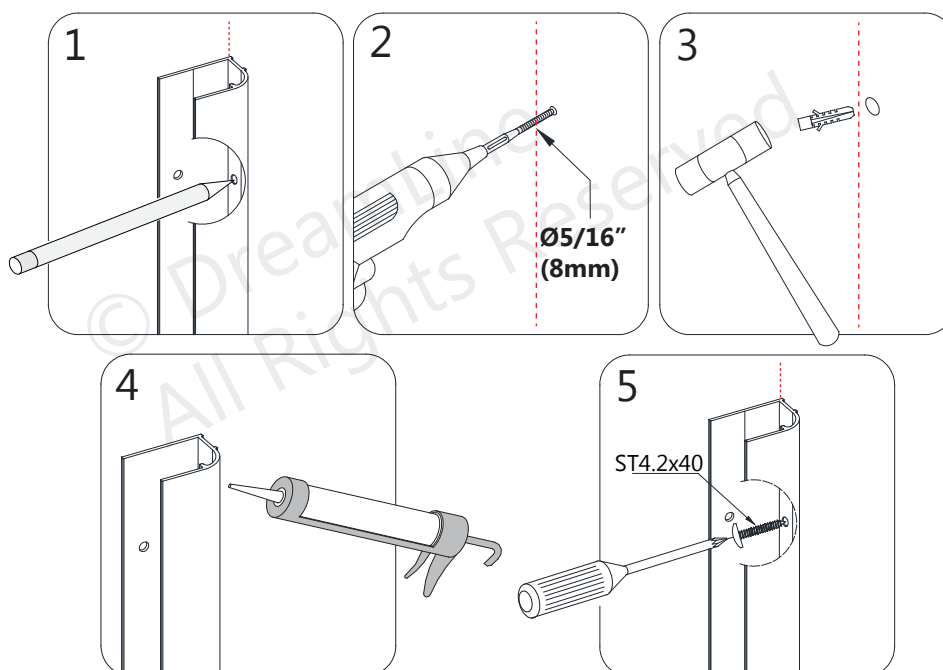


Fig 9b

10. Insert the **Strike Profile (#09)** back into the installed **Wall Profile (#10)**, and adjust the **Strike Profile (#09)** as necessary to line up the magnetic seals. (**Fig 10**)

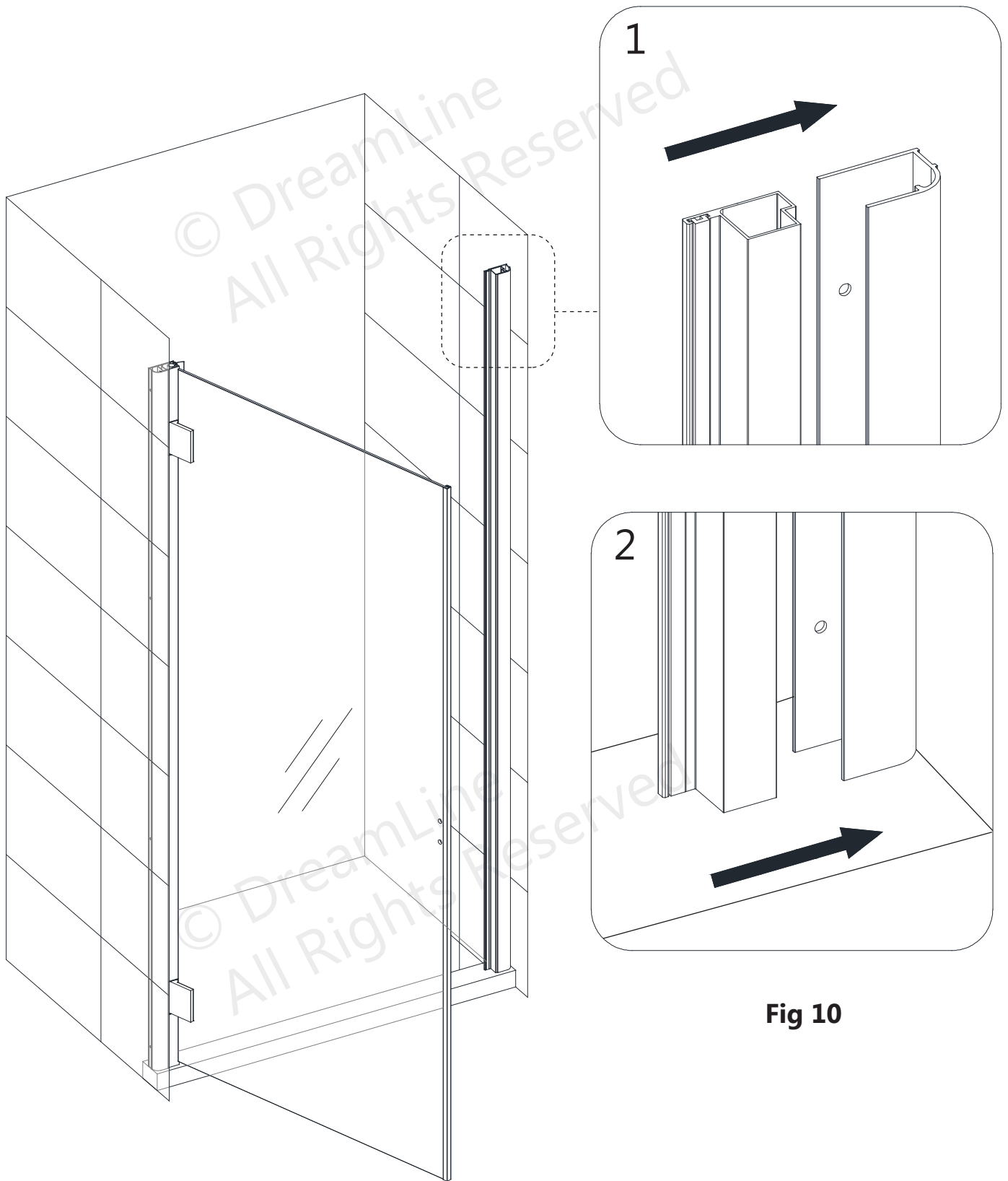


Fig 10

11. The **Strike Rail (#07)** magnet on the **Door Glass (#06)** must line up with the magnet on the **Strike Profile (#09)**. Make sure the magnets make even contact from top to bottom. **(Fig 11)**

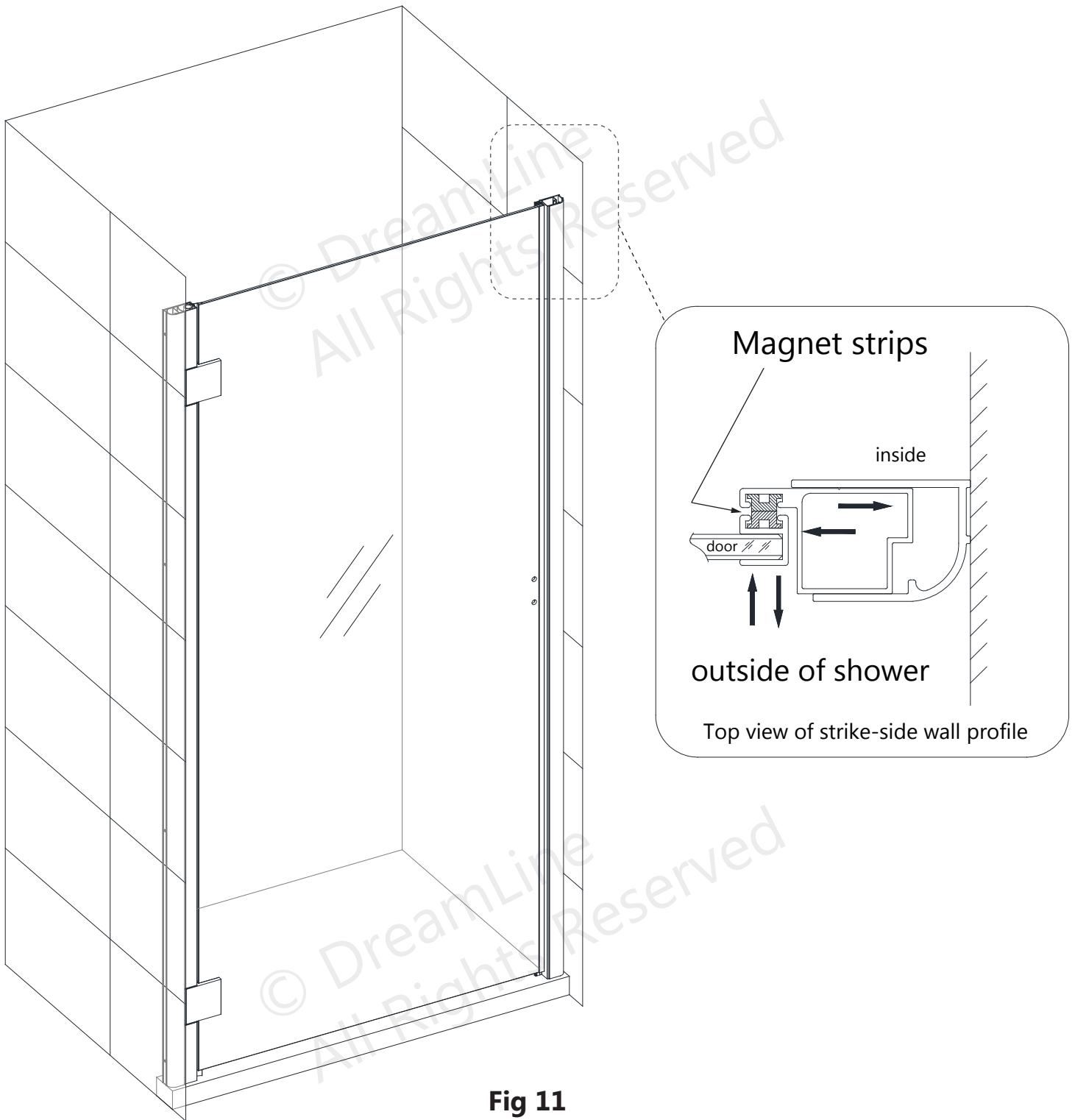


Fig 11

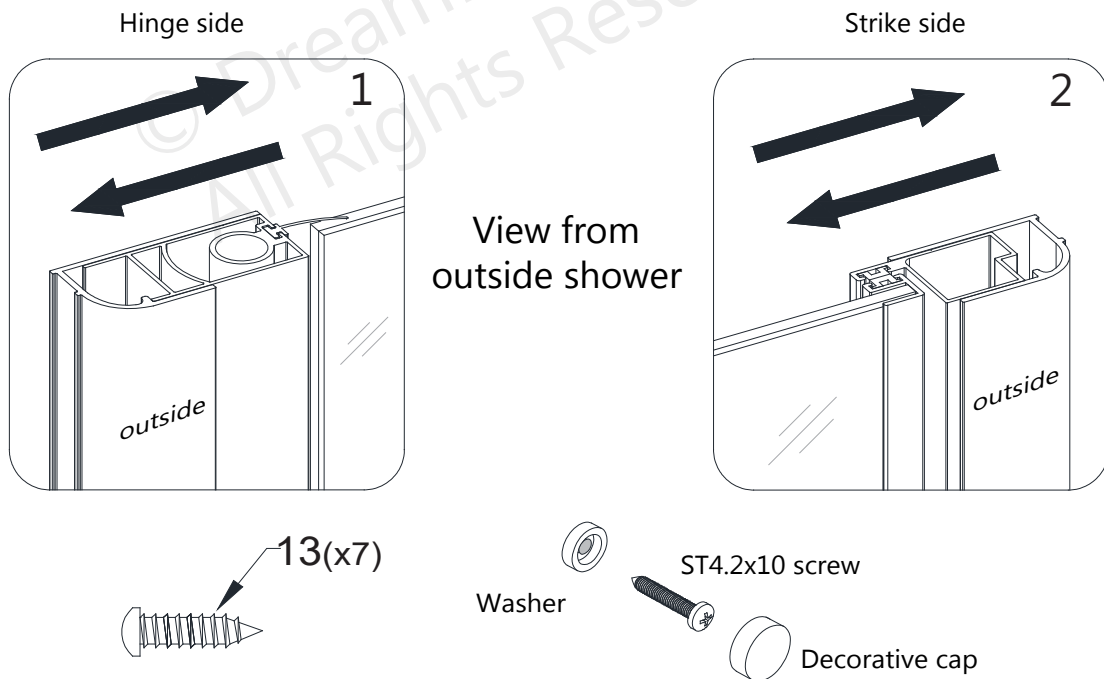
Left-Swing door installation shown as an example

12. Adjust the door for level and plumb by adjusting the profiles on either side of the door. Use the pre-drilled holes on the inside of the **Wall Profiles (#01 and #10)** as guides. After making final adjustments to the **Door Glass (#06)**, drill holes into the **Hinge Profile (#02)** and **Strike Profile (#09)** through the pre-drilled holes in the **Wall Profiles (#01 and #10)** using an **Ø1/8" (3.2mm)** drill bit.

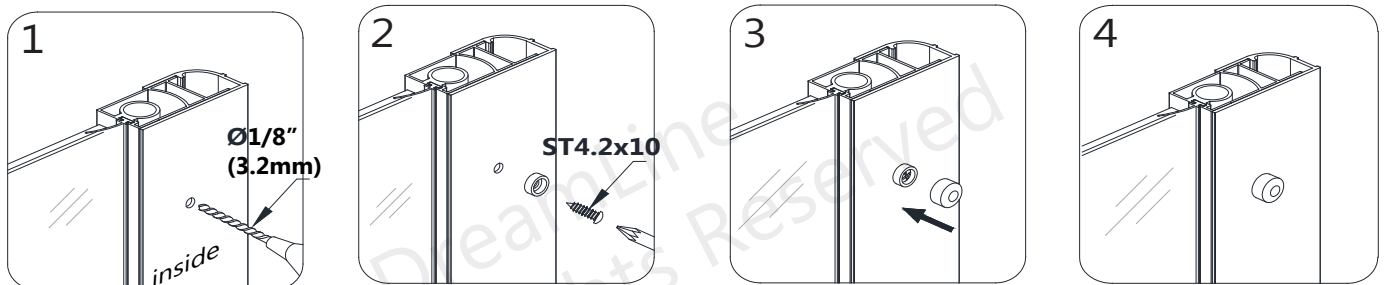
NOTE: Drill through one layer of the profile, not through the entire profile. Attach the profiles together using the **ST4.2x10 Pan Head Screws (#13)** along with the **Decorative Cap and Washer (#14)**. (**Fig 12**)



Note: It may be necessary to reposition the ST4.2 x 10 screw that was installed during step #8. (**Fig 12.1**)



Hinge side as viewed from inside the shower:



Strike side as viewed from inside the shower:

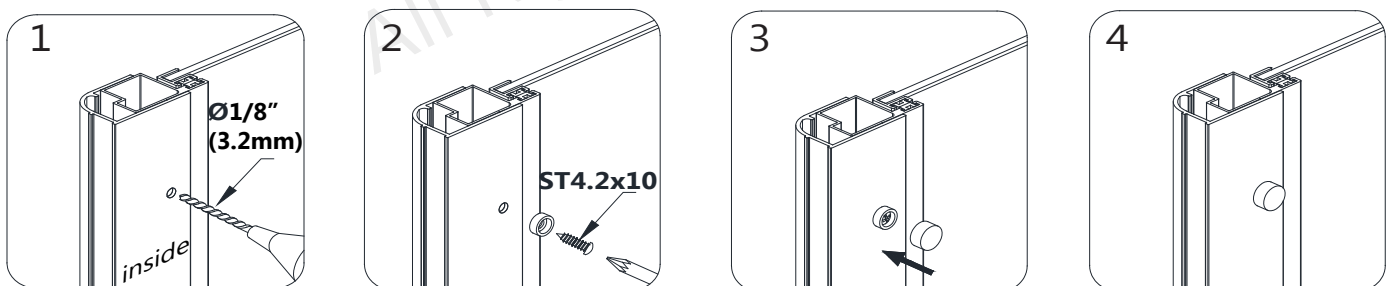


Fig 12

Left-Swing door installation shown as an example

13. Install the **Handle (#11)** onto the **Door Glass (#06)** using the **ST4.2x10 Pan Head Screws (#13)** and one gasket per side to prevent glass to metal contact. Cover the handle screws with the decorative caps. **(Fig 13)**

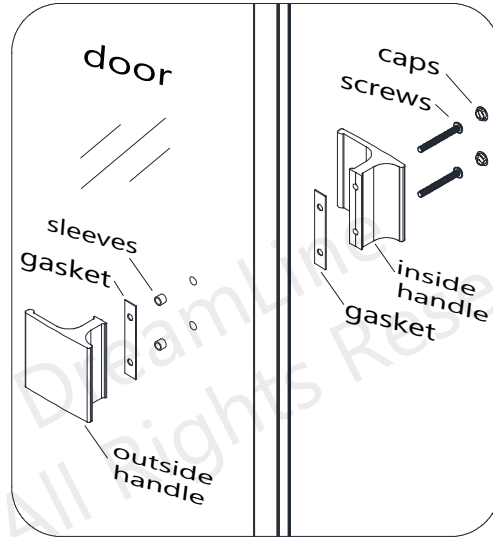


Fig 13

14. Notch the strike end of the **Bottom Strip (#12)** with a razor knife to fit around the **Strike Rail (#07)** on the edge of the **Door Glass (#06)**. Install the **Bottom Strip (#12)** onto the bottom of the **Door Glass (#06)**. Also, slice the inside deflector where it overlaps the hinge-side vinyl. **(Fig 14)**

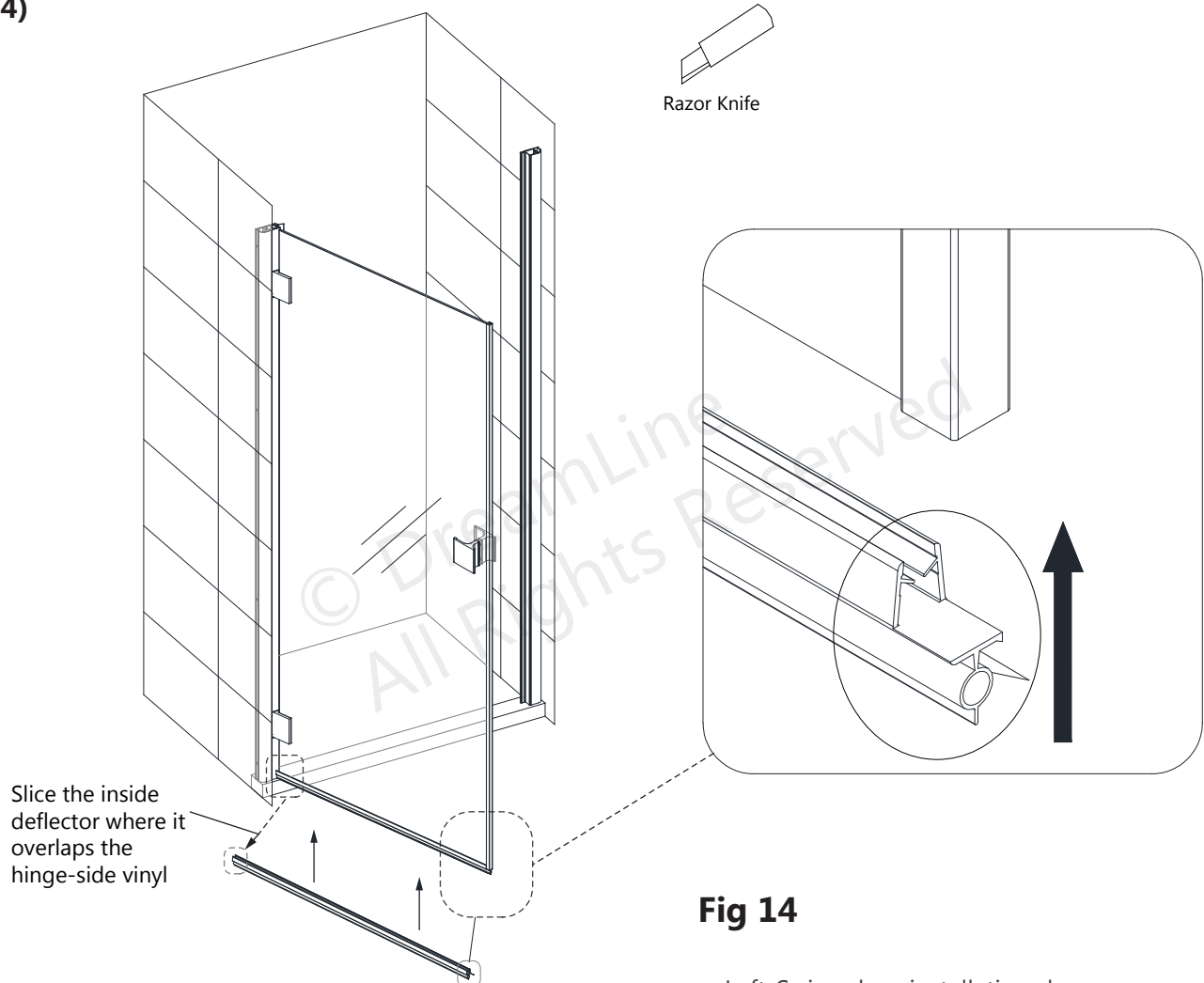


Fig 14

Left-Swing door installation shown as an example

15. From inside the shower, apply a good quality mildew-resistant silicone where the profiles meet the walls. Silicone may also be applied on the outside of the profiles if necessary. **(Fig 15)**

NOTE: The surfaces need to be clean and free of debris before applying silicone.



Allow 24 hours for the silicone to cure before using the shower.

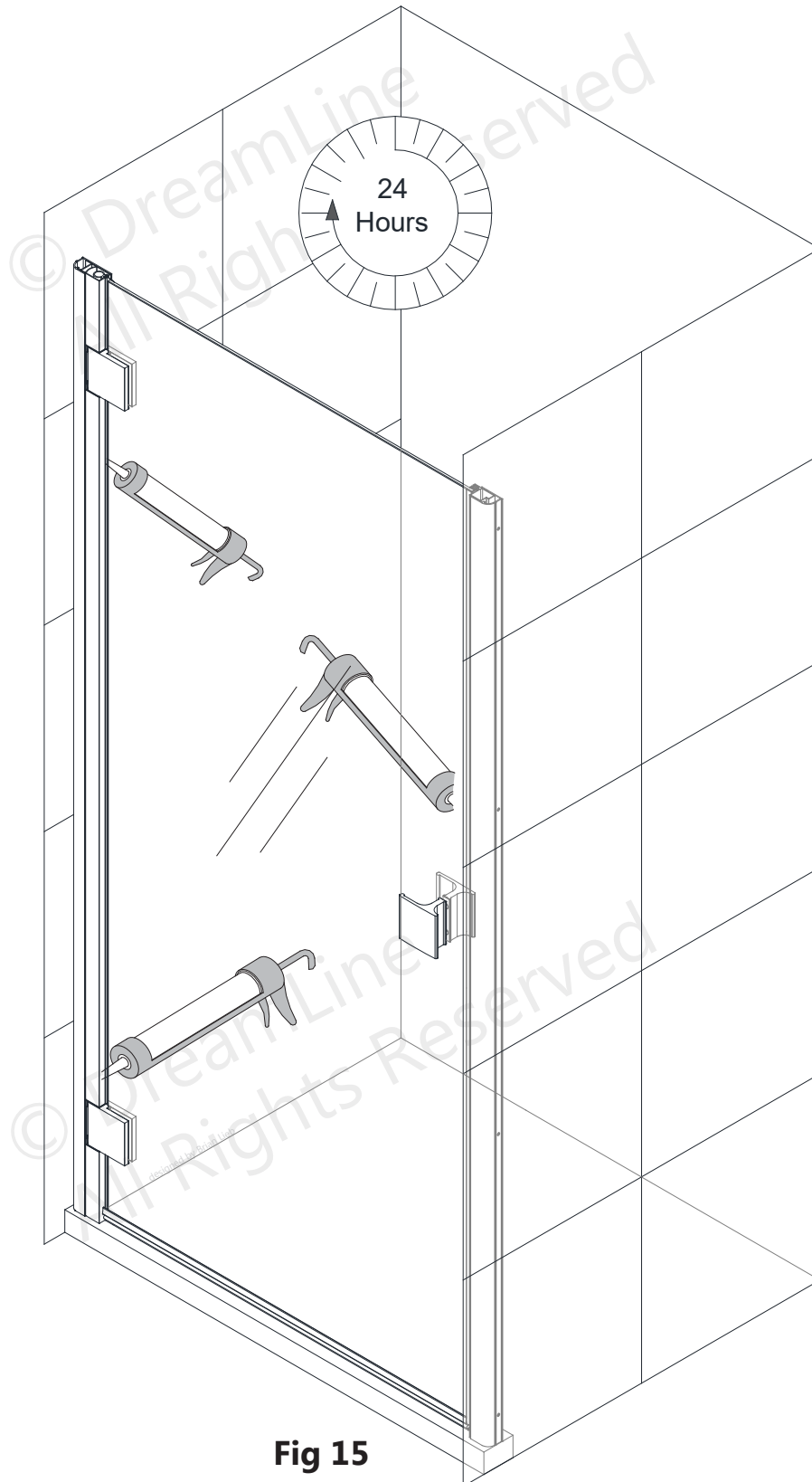


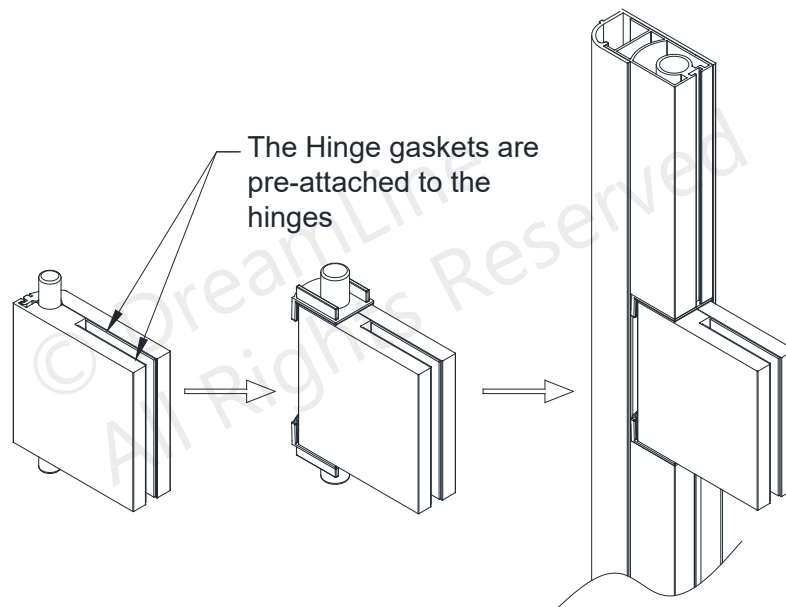
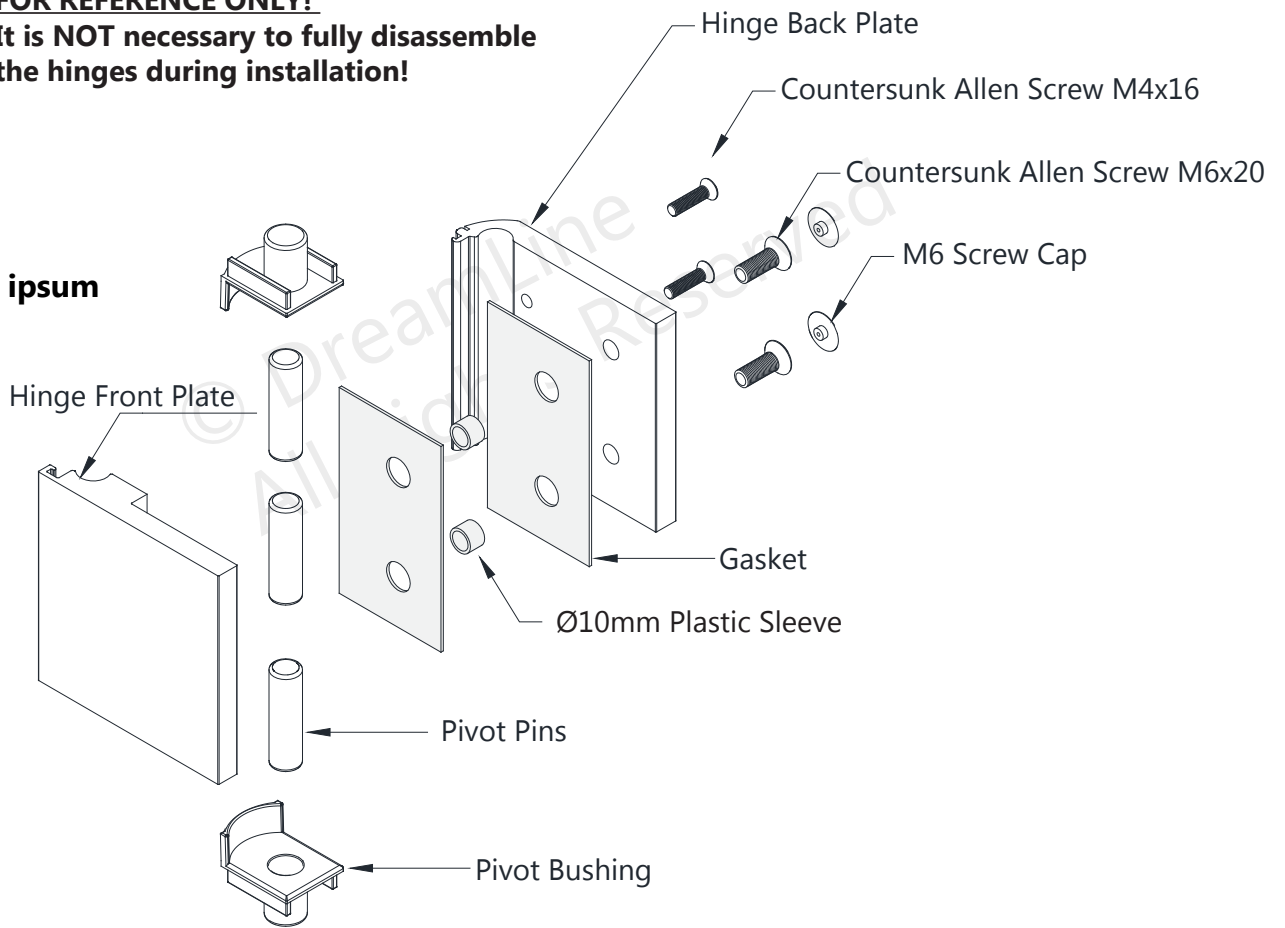
Fig 15

Hinge Assembly Detail



FOR REFERENCE ONLY!
It is **NOT** necessary to fully disassemble
the hinges during installation!

Lorem ipsum



Product Maintenance

BASES and BACKWALLS: To ensure long lasting life for your acrylic back walls: wipe them off after each use with a soft cloth. To clean the acrylic back walls use non-abrasive sprays or cream based cleaners. Avoid the use of aerosol spray cleaners. Never use abrasive cleansers, metal brushes or scrapers that could scratch or dull the surface.

GLASS: To ensure long lasting life for your glass shower products: wipe them off after each use with a soft cloth. Rinse and wipe off the glass using either a soft cloth or a squeegee to prevent soap buildup and water spots (Hard water can etch the surface of the glass over time if left to dry). To prevent scratching the surface: never use abrasive cleaners or cleaning products that contain scouring agents. Never use bristle brushes or abrasive sponges that may scratch the surface.

HARDWARE: To ensure a long lasting finish: wipe off the metal parts after each use with a soft cloth. Do not use abrasive cleaners or cleaning products containing ammonia, bleach or acid. If accidentally used, rinse the surface as soon as possible to prevent damage to the finish (peeling or corrosion). After cleaning the polished finishes, rinse thoroughly and wipe dry with soft cloth. Clean stainless steel surfaces at least once a week. When applying stainless steel cleaner or polish to stainless steel hardware, work with (not across) the grain. Never use an abrasive sponge or cloth, steel wool or wired brush as these may permanently scratch the surfaces.

NOTE: To maximize the life of your door, it is important to regularly inspect the glass and all hardware for misalignment, proper attachment, and/or damage. Contact DreamLine® with any questions or concerns.

DreamLine® shower doors are designed not to leak under normal usage when installed properly, and the water flow is not pointed directly at the vinyl seals or hinges.

© DreamLine
All Rights Reserved

© DreamLine
All Rights Reserved



© DreamLine
All Rights Reserved

TEL: 866-731-2244
FAX: 866-857-3638
DREAMLINE.COM

For more information on DreamLine[®] Shower Doors and Enclosures please visit **DreamLine.com**