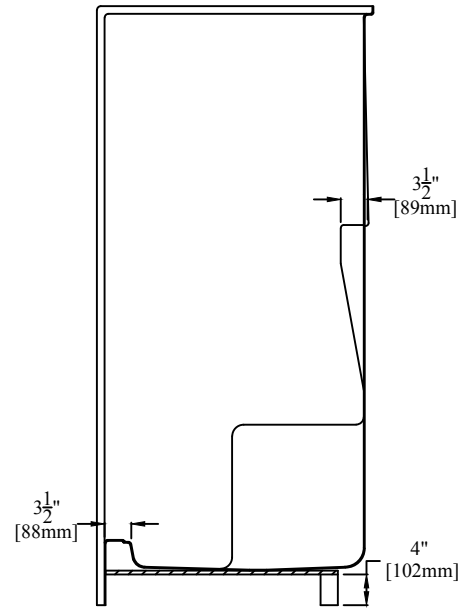
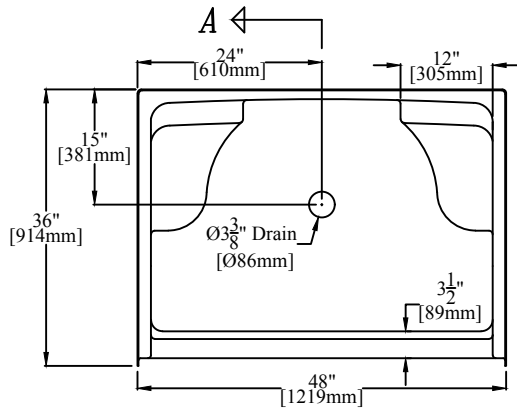


ELEVATION



SECTION "A-A"



PLAN

*48" [1219mm] Shower
w/ 8 1/2" [216mm] Threshold,
Molded Soap Ledges, & Molded Seats*

CENTER DRAIN

PRODUCT SPECIFICATIONS:

- * Product complies with NAHB, HUD UM-73A, and ANSI-Z124.1.2.
- * Product has a Class B fire rating as determined by ASTM E-84 test method.
- * Reinforced & slip resistant floor.
- * Integral 1" [25mm] nailing flange.
- * Molded soap ledges
- * Two molded seats approx. 7"W x 16"D x 18"H
- * Door Opening: W-44 1/2" [1130mm]
H-68" [1727mm]
- * Accepts Clarion Model RE948 cap
(adds 8 1/2" [216mm] to the overall height of the unit.
- * All dimensions +/- 1/2" [12.8mm]
- * Clarion Bathware reserves the right to change design and/or dimensions.
- * Dimensions are the same for RE, MP, and all other versions of this model.

5848X

**48" [1219mm] Shower w/ 8 1/2" [216mm] Threshold, Molded Soap Ledges,
Molded Seats, & Center Drain**

Clarion
BATHWARE
44 Amsler Ave.
Shippenville, PA 16254

Phone: (814) 226-5374
Toll Free: (800) 576-9228
Fax: (814) 226-0730
www.clarionbathware.com

Signatures For Approval:

Customer: _____
Arch./Engr: _____

Date: _____

Dwg. #
5848X-CUT

Quote #: _____
Job Name: _____

Dwg. By: NMH
DATE: 6/5/2017

***** IMPORTANT NOTICE *****

Clarion Bathware reserves the right to change the design and/or dimensions of its products at any time. This drawing may have been updated since this publication was issued. Before placing an order for any product, refer to our website at www.clarionbathware.com to obtain the most current drawings for any products that you wish to purchase. Compare the date of revision of the drawing that you have with the one on the drawing on our website. If you do not have internet access, please call your sales representative or Clarion Bathware's sales department at 1-800-576-9228.