



Features

- All brass construction
- Over 28 finishes including 13 PVD finishes
- No additional wall or trap stabilizer kit required
- Tub filler Maximum flow rate: 15 gpm (58.6 L/min) at 60 psi
- Handshower Flow rate: 2.0 gpm (7.6 L/min) or 1.8 gpm (6.8 L/min)
- Handshower bracket may be placed on COLD or HOT side of body
- 1/4 turn ceramic disc cartridges
- Replace .FR with desired max flow rate:
 - 8608X-ETD.20 for 2.0 gpm
 - 8608X-ETD.18 for 1.8 gpm
- Rough kit (9516) sold separately

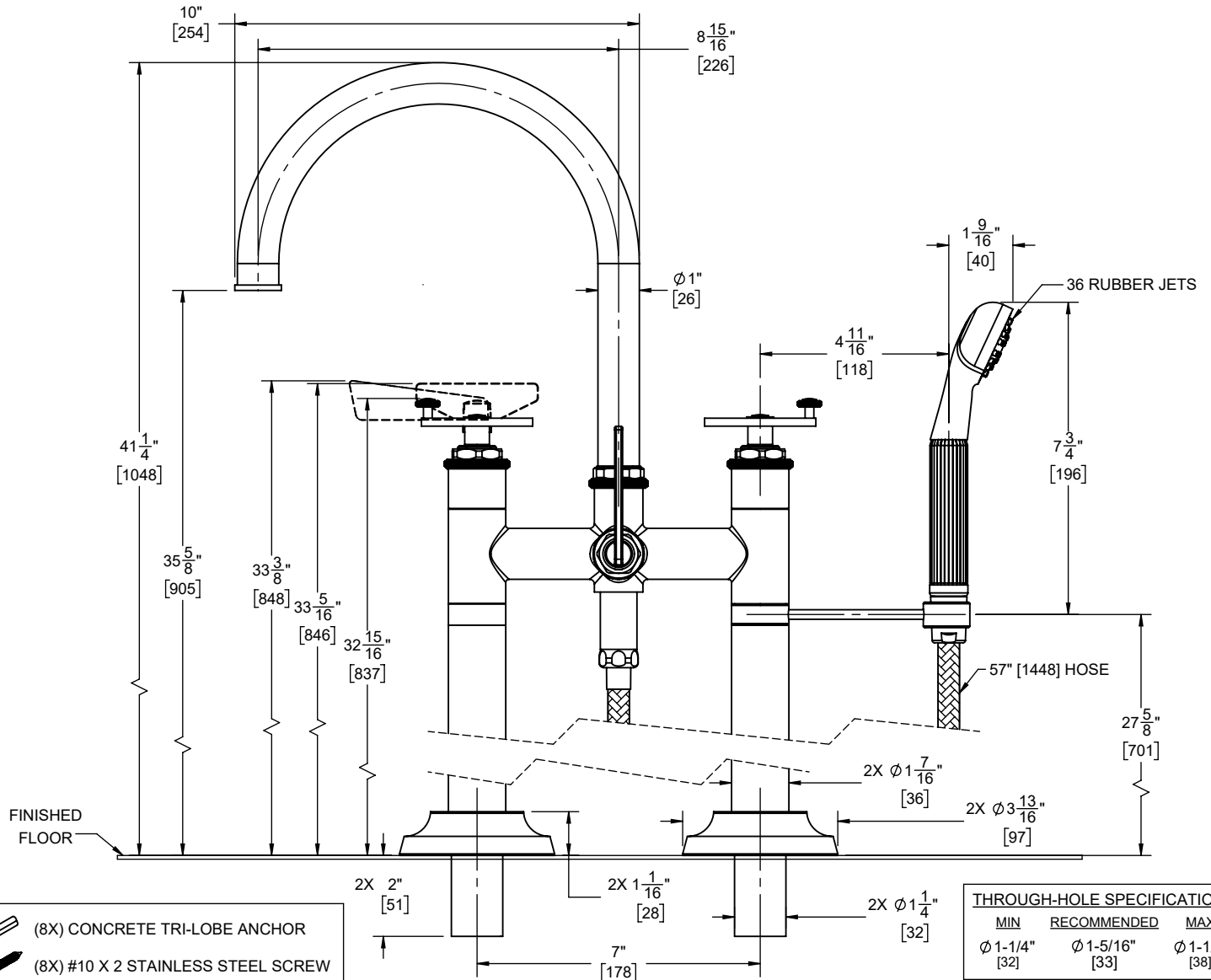
Codes/Standards

Product meets or exceeds the following:

- ASME A112.18.1/CSA B125.1
- CEC (1.8 gpm) / DOE (2.0 & 1.8 gpm)
- Commonwealth of MA
- EPA WaterSense (2.0 gpm)
- ADA compliant (with lever handles)
- Local codes may require installation of an upstream tempering valve



8608W-ETF.20
 8608W-ETF.18
 8608B-ETF.20
 8608B-ETF.18
 8608-ETF.20
 8608-ETF.18



SPECIFICATIONS SUBJECT TO CHANGE WITHOUT NOTICE

ALL DIMENSIONS SHOWN TO NEAREST 1/16"
[ALL DIMENSIONS SHOWN TO NEAREST 1MM]