

BOCCHI

ADERCI 30

APRON FRONT SINGLE BOWL
KITCHEN SINK



Product Code

1481-XXX-0120

FEATURES

- Fine fireclay construction
- Sink is finished on all four sides
- 3-1/2" symmetrical drain (compatible with standard garbage disposal flanges)
- Stainless steel bottom sink rack and chrome strainer included
- Requires support frame in cabinetry
- Reinforced ultra thin design

Standard Colors

White (001), Biscuit (014)

Premium Colors

Matte White (002), Matte Black (004),
Black (005), Matte Gray (006),
Sapphire Blue (010), Matte Dark Gray (020),
Matte Brown (025)

DIMENSIONS

NOMINAL DIMENSIONS

30"X18"X10"

BOWL INSIDE DIMENSIONS

29 1/4" wide
17 1/4" front to back
8 3/4" depth

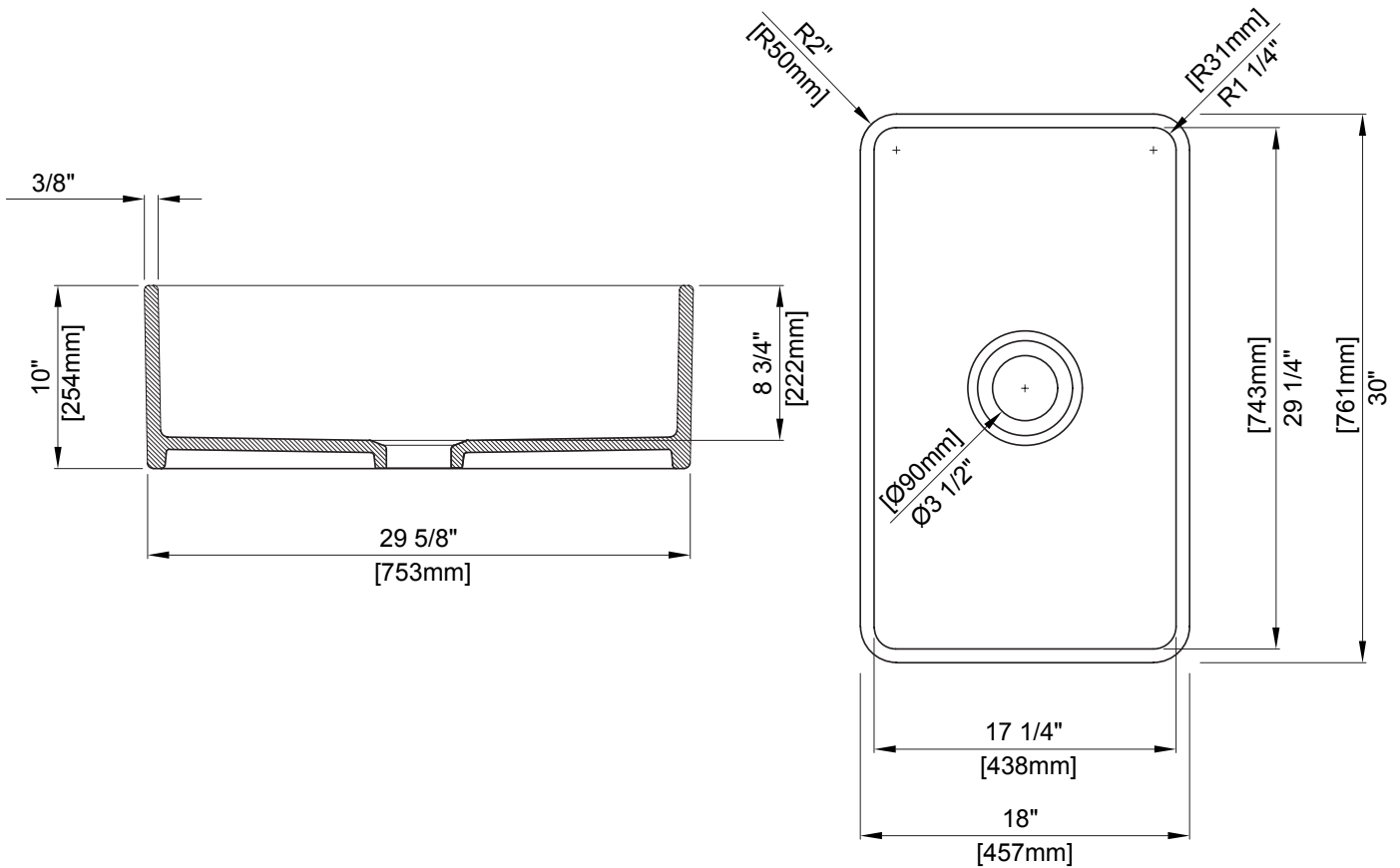
COMPONENTS INCLUDED THE BOX

2300 0015 - 29 1/2"X16 1/2"
SS SINK RACK - CHROME (1pc)

2330 0001 - SINK STRAINER - CHROME (1pc)

COMPLIANCE CERTIFICATIONS

Meet or Exceeds ASME A112.19.2 / CSA B45.1



NOTES:

Refer to installation instructions supplied with kitchen sink for undermount, countertop or above counter custom installations.

Due to the fireclay process, dimensions may vary. Please use the actual sink that you will be installing in order to determine the cutout dimensions for your countertop.

CAUTION: Sink is heavy! Installer must provide adequate reinforcement for all load-bearing supports in accordance with installation instructions supplied with kitchen sink.

Fittings not included with fixture and must be ordered separately.

IMPORTANT: Dimensions of fixtures are nominal and may vary within the range of tolerance established by ANSI standards. These measurements are subject to change or cancellation. No responsibility is assumed for use of superseded or voided pages.