

**Studio® Shower Base**

**Product Features:**

- High gloss acrylic with fiberglass reinforcement
- Single threshold unit
- Textured shower floor helps increase bathroom safety
- Integral three-sided 1" tall tiling/water retention flange
- Low step-over height for easy access
- Includes shower drain with stainless steel drain plate
- Limited Lifetime warranty



**2946.STL shown above**

**2946STR STUDIO 60" x 32" SHOWER BASE**

Right Hand Outlet

**2946STL STUDIO 60" x 32" SHOWER BASE**

Left Hand Outlet

**Nominal Dimensions:**

60" x 31-1/4" x 5"

(1524 x 794 x 127mm)

**Compliance Certifications -**

**Meets or Exceeds the Following Specifications:**

- CSA B45.5-11 / IAPMO Z124-2011
- cUPC

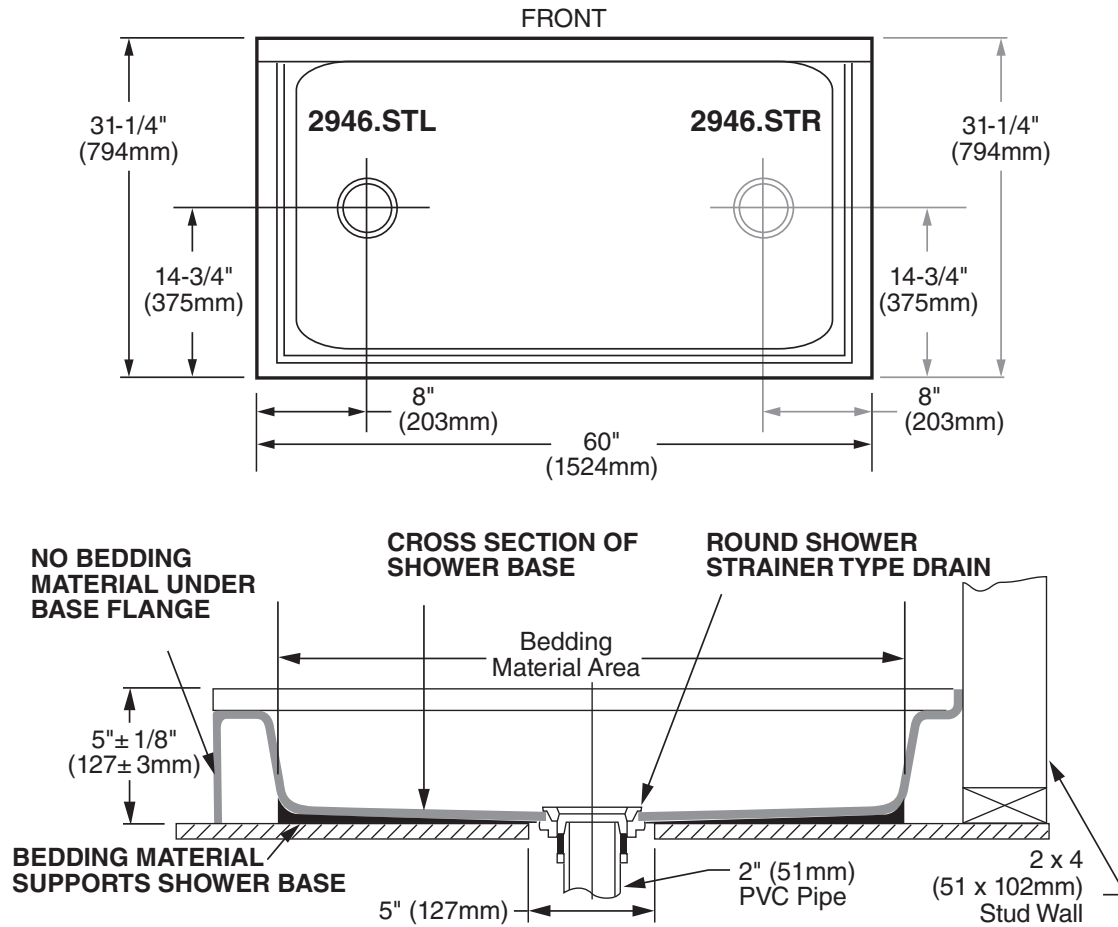
**To Be Specified - Required:**

- Color:
  - 011 Arctic White
- Shower Faucet:

**To Be Specified - Optional:**

- Shower Walls: 2946SW.011

SEE REVERSE SIDE FOR ROUGHING-IN DIMENSIONS  
AND PRODUCT SPECIFICATIONS



<b>GENERAL SPECIFICATIONS FOR 2946ST SHOWER BASE</b>	
INSTALLED SIZE	1524mm X 813mm X 130mm (60 X 32 X 5 IN.)
WEIGHT	27.7 Kg. (61 LBS.)
SHOWER WELL AT RIM	1118mm X 679mm (44 X 26-3/4 IN.)
FLOOR LOADING	23 Kgs/Sq. m. (4.6 LBS./FT. <sup>2</sup> ) (PROJECTED AREA)

**NOTES:**  
REFER TO INSTALLATION INSTRUCTIONS SUPPLIED WITH SHOWER BASE FOR ADDITIONAL INFORMATION.

**IMPORTANT:** Dimensions of fixtures are nominal and may vary within the range of tolerances established by ANSI Standard CSA B45.5-11/IAPMO Z124-2011. These measurements are subject to change or cancellation. No responsibility is assumed for use of superseded or voided pages.