

artos[®]

PS137

OPERATING SPECIFICATIONS

premier series shower set



FEATURES

Solid Brass
2-Outlets

OPERATING PRESSURE

Minimum: 15 psi
Maximum: 75 psi
Above 90psi it may be necessary to install a pressure reducer

OPERATING TEMPERATURE

Maximum: 176°

FLOW CAPACITY

Hand Shower: 1.8 USGPM
Shower Head: 1.8 USGPM



F901-8 & F902-14 APPROVAL



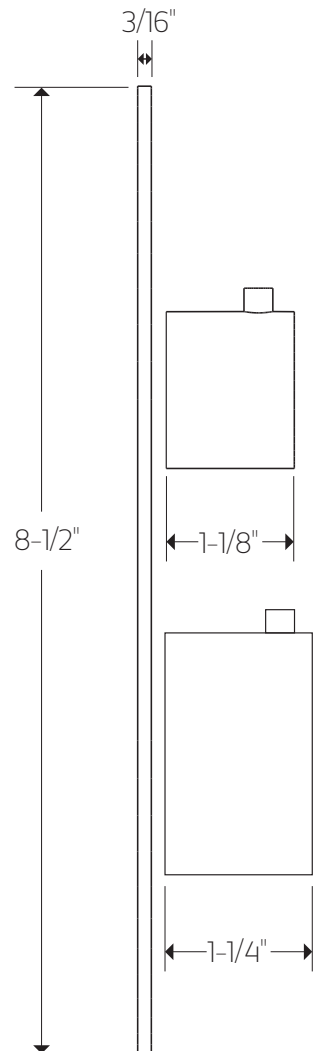
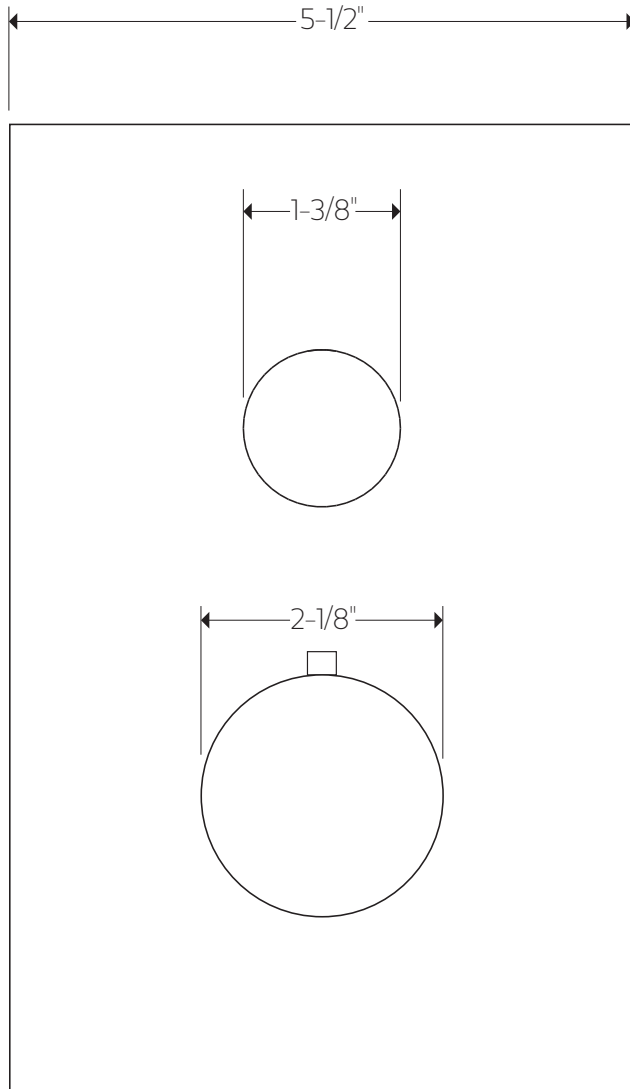
artos[®]

PS137

PRODUCT DIMENSIONS

premier series shower set

for trim kit



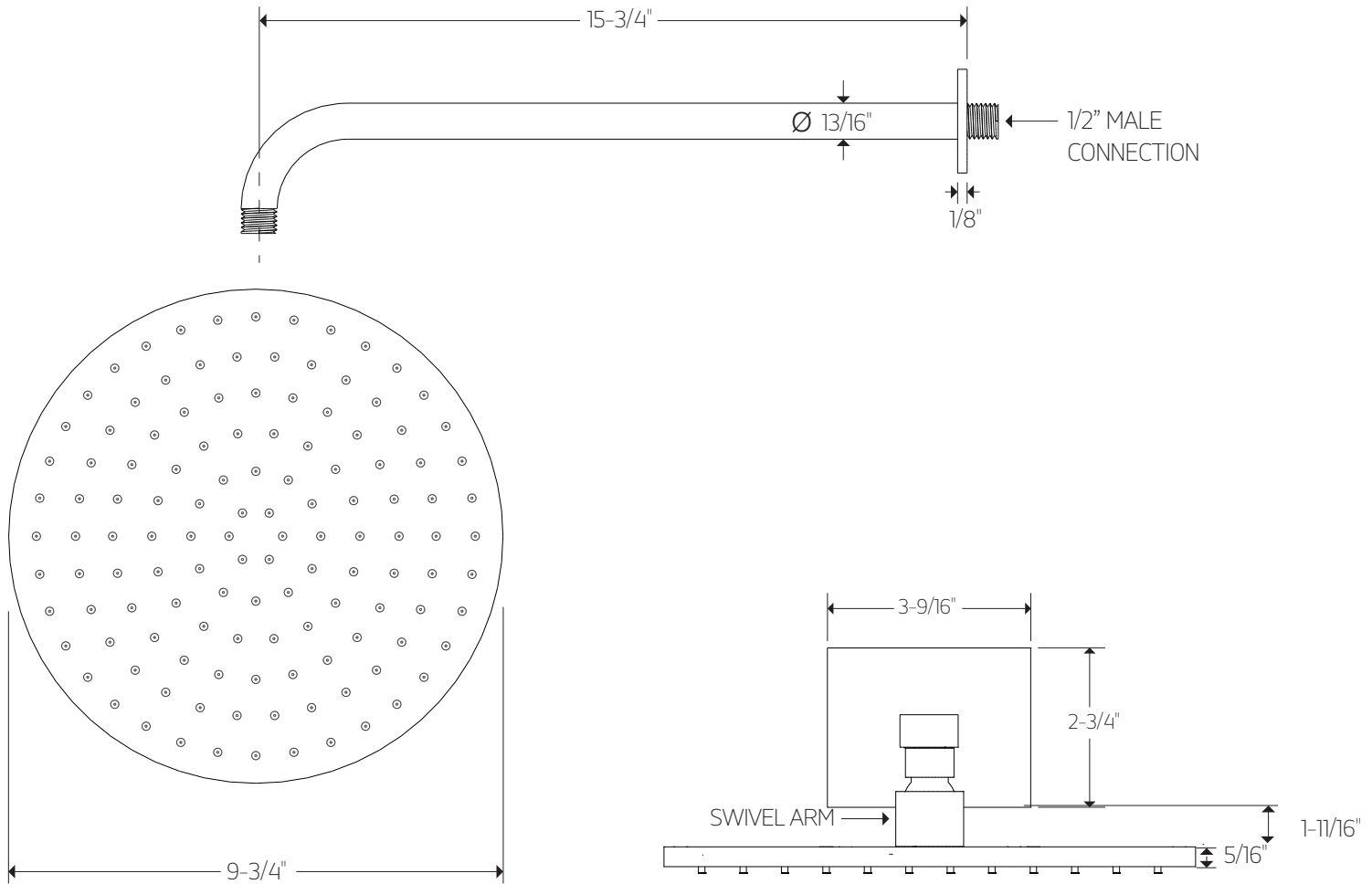
artos[®]

PS137

PRODUCT DIMENSIONS

premier series shower set

for shower head



artos[®]

PS137

premier series shower kit

PRODUCT DIMENSIONS

for hand shower

