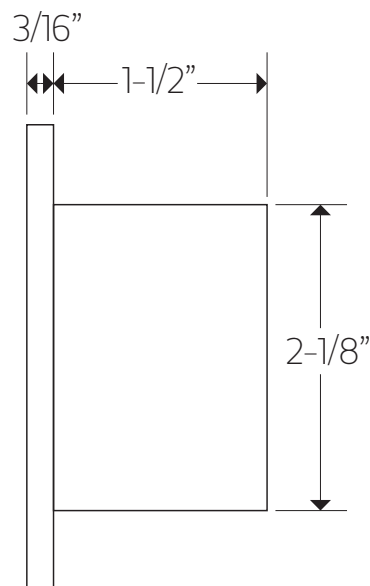
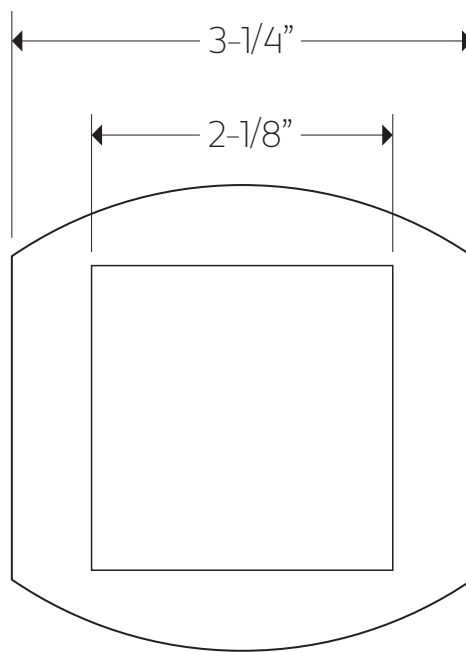


F909A-13TK

TECHNICAL DATA SHEET

3-way diverter trim kit only
safire



artos

F909A-13TK

3-way diverter trim kit only
safire

OPERATING SPECIFICATIONS

for associated valve | F909A-V0



OPERATING PRESSURE

Minimum: 20 psi

Maximum: 125 psi

Recommended: 30-95 psi

FLOW CAPACITY

6.9USGPM@60 psi

INLET/OUTLET

(3) 1/2" Female NPT

(1) 1/2" Female NPS