

# TECHNICAL SPECIFICATIONS

## OPS-6036 - with MASS Grab Bar

**MODEL NUMBER 141380**

DIMENSIONS: 60" x 36" x 76 5/8" Gelcoat



### STANDARD FEATURES

- 1-piece roll-in shower reinforced according to FHA accessibility requirements
- One horizontal Straight 48" textured Stainless Steel grab bar (factory installed)
- Center drain
- Textured bottom
- 1 1/8" skirt and 1/2" high threshold

### UNIQUE FEATURES

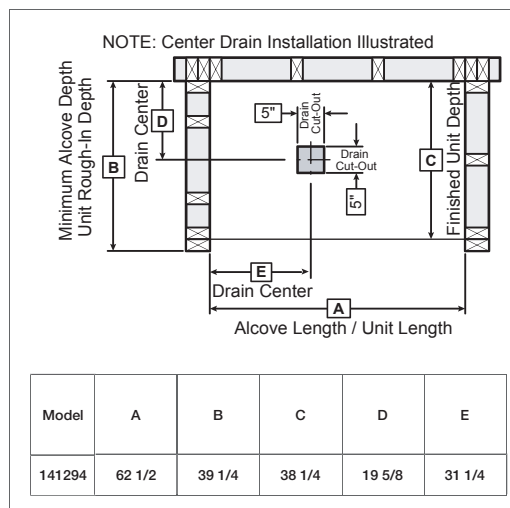
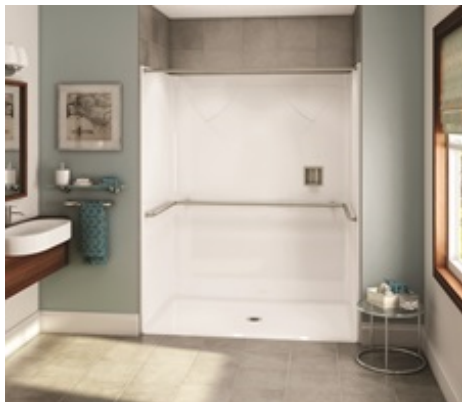
- None

### OPTIONS

- 72 in. White vinyl shower curtain with Stainless Steel hooks
- Chrome recessed soap dish (drilled, not installed)
- Solid Brass drain with Chrome plated Stainless Steel grid
- 60" Curtain rod

### SYSTEMS

- None



Project : .....

Contractor : .....

AKER Representative : ..... Tel : .....

Date : .....

### CERTIFICATIONS

AKER products adhere to one or more of the following certifications:



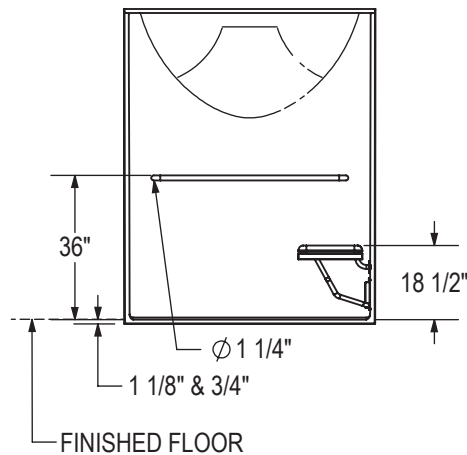
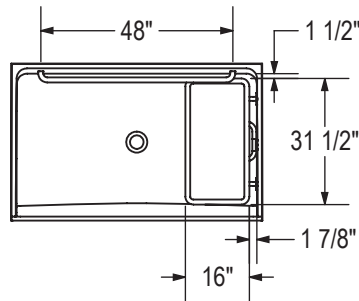
## TECHNICAL SPECIFICATIONS

# OPS-6036 - with MASS Grab Bar

MODEL NUMBER 141380

## TECHNICAL DRAWINGS

BASE MODEL WITH MASS GRAB BAR & SEAT PACKAGE  
LEFT SIDE SHOWN  
RIGHT SIDE SYMMETRICAL



All dimensions are approximate. Structure measurements must be verified against the unit to ensure proper fit.